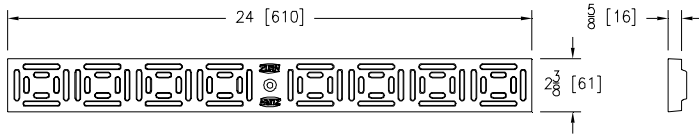


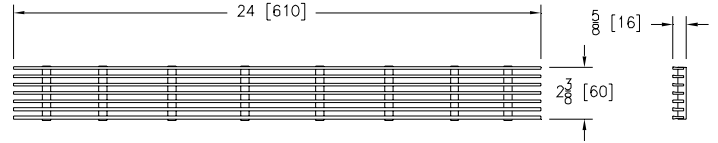


Z880 2-3/8" WIDE GRATES



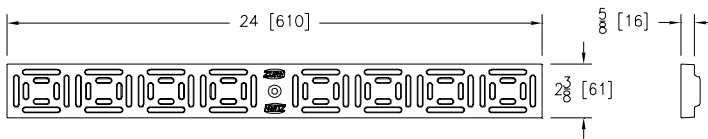
Please Check	Item No.
✓	1

AOG- Aluminum Decorative		
Material : Aluminum		
DIN Rating : Class A		
Weight: 1.12 # per ft.		
Open Area: 6.14 sq. in. per ft.		
ANSI Rating: Light Duty		
Application: Decorative Heelproof		
Slot Width/Hole Size: 0.25"		
ADA	H-20	FAA
Yes	No	No



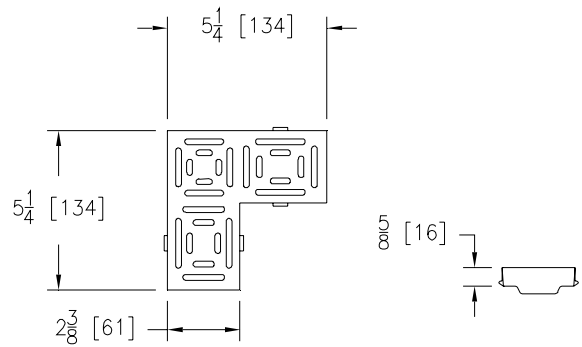
Please Check	Item No.
✓	2

AWG- Aluminum Wire		
Material : Aluminum		
DIN Rating : Class A		
Weight: .80 # per ft.		
Open Area: 15.00 sq. in. per ft.		
ANSI Rating: Light Duty		
Application: Decorative Heelproof		
Slot Width/Hole Size: 0.25"		
ADA	H-20	FAA
Yes	No	No



Please Check	Item No.
✓	3

BZ- Bronze Decorative		
Material : Bronze		
DIN Rating : Class A		
Weight: 3.00 # per ft.		
Open Area: 6.14 sq. in. per ft.		
ANSI Rating: Light Duty		
Application: Decorative Heelproof		
Slot Width/Hole Size: 0.25"		
ADA	H-20	FAA
Yes	No	No

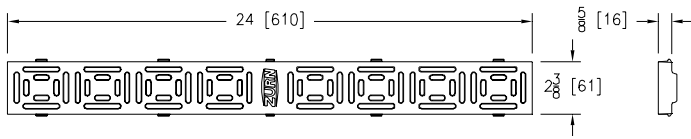


Please Check	Item No.
✓	4

G90- 90-Degree Plastic		
Material : Bronze		
DIN Rating : Class A		
Weight: .50 # per ft.		
Open Area: 10.22 sq. in. per ft.		
ANSI Rating: Light Duty		
Application: Decorative Heelproof		
Slot Width/Hole Size: 0.25"		
ADA	H-20	FAA
Yes	No	No

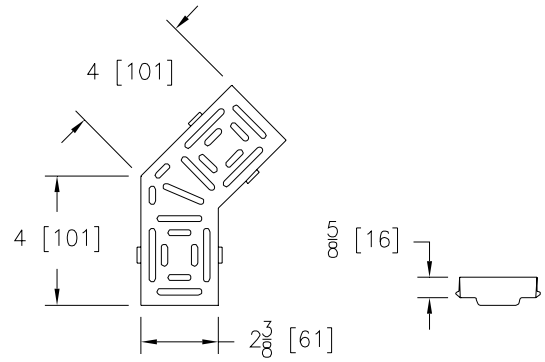


Z880 2-3/8" WIDE GRATES



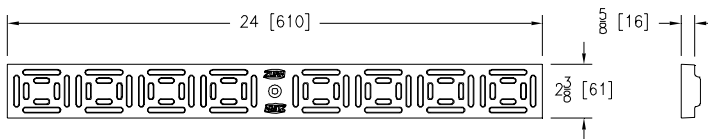
Please Check	Item No.
✓	5

POG- Heelproof Polyethylene Decorative		
Material : Polyethylene Plastic		
DIN Rating : Class A		
Weight: .50 # per ft.		
Open Area: 6.14 sq. in. per ft.		
ANSI Rating: Light Duty		
Application: Decorative Heelproof		
Slot Width/Hole Size: 0.25"		
ADA	H-20	FAA
Yes	No	No



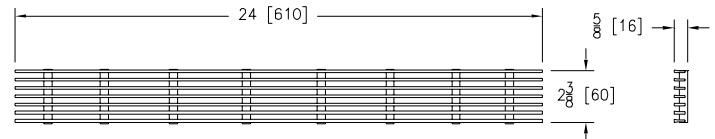
Please Check	Item No.
✓	6

S45- 45-Degree Plastic		
Material : Plastic		
DIN Rating : Class A		
Weight: .30 # per ft.		
Open Area: 5.28 sq. in. per ft.		
ANSI Rating: Light Duty		
Application: Decorative Heelproof		
Slot Width/Hole Size: 0.25"		
ADA	H-20	FAA
Yes	No	No



Please Check	Item No.
✓	7

SOG- Stainless Steel Decorative		
Material : Stainless Steel		
DIN Rating : Class A		
Weight: 2.75 # per ft.		
Open Area: 6.14 sq. in. per ft.		
ANSI Rating: Light Duty		
Application: Decorative Heelproof		
Slot Width/Hole Size: 0.25"		
ADA	H-20	FAA
Yes	No	No



Please Check	Item No.
✓	8

SWG- Stainless Steel Wire		
Material : Aluminum		
DIN Rating : Class A		
Weight: 1.30 # per ft.		
Open Area: 15.00 sq. in. per ft.		
ANSI Rating: Light Duty		
Application: Decorative Heelproof		
Slot Width/Hole Size: 0.25"		
ADA	H-20	FAA
Yes	No	No