

# INDEX PAGE for 12” Wide Throat Grates / Covers

---

 - Click on “Item ID” to go to grate page, “Back to Index” will return you to this page.

P874-12-ADA-USA ..... ADA Compliant Grate, Ductile Iron  
P874-12-DCC ..... Solid Cover, Ductile Iron  
P874-12-DCF ..... Solid Cover, Ductile Iron  
P874-12-DGC ..... Slotted Grate, Ductile Iron  
P874-12-DGC-USA ..... Slotted Grate, Ductile Iron  
P874-12-DGF ..... Slotted Grate, Ductile Iron  
P874-12-DGF-USA ..... Slotted Grate, Ductile Iron  
P874-12-GADA-USA ..... ADA Compliant Grate, Galvanized Ductile Iron  
P874-12-GCF ..... Galvanized Ductile Iron Solid Cover  
P874-12-GDC ..... Slotted Grate, Galvanized Ductile Iron  
P874-12-GDC-USA ..... Slotted Grate, Galvanized Ductile Iron  
P874-12-GDF ..... Slotted Grate, Galvanized Ductile Iron  
P874-12-GDF-USA ..... Slotted Grate, Galvanized Ductile Iron  
P874-12-GG ..... Slotted Grate, Vinylester Fiberglass  
P874-12-GHPD ..... Galvanized, Heel-Proof Longitudinal Grate, Ductile Iron  
P874-12-HPD ..... Heel-Proof Longitudinal Grate, Ductile Iron  
P874-12-SBG ..... Stainless Steel Bar Grate

\* Regularly furnished unless otherwise specified.



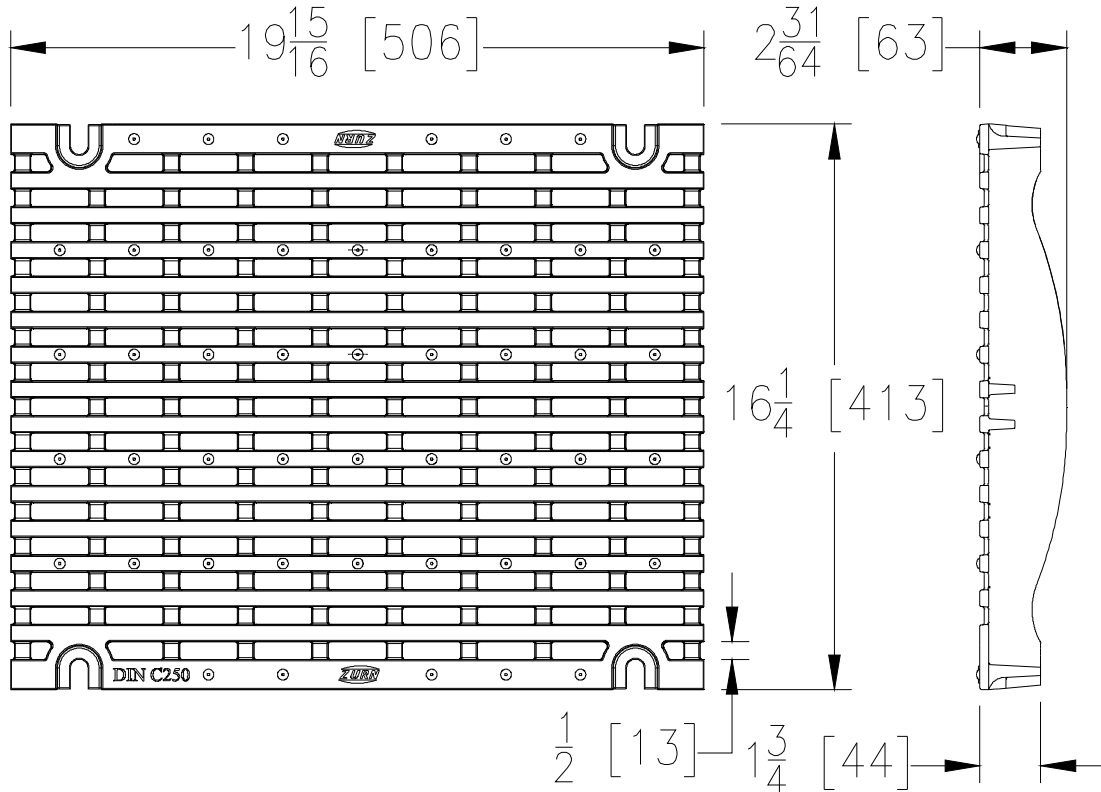
# P874-12-ADA-USA

## 12[305] Wide Throat Domestic Grate

Dimensional Data (inches and [ mm ]) are Subject to Manufacturing Tolerances and Change Without Notice

[Back to Index](#)

Please Check	Item No.	Part Number	Item I.D.
✓	1	94528	P874-12-ADA-USA



**ADA-USA GRATE ENGINEERING SPECIFICATION:** The Zurn P874-12-ADA-USA ADA Compliant, Ductile Iron Grate, is 16-1/4" [413mm] wide by 19-15/16"[506mm] long, weighing 26.5lbs per linear foot [39.4 kg/m]. The grate has an open area of 66 square inches per linear foot [1398 cm<sup>2</sup>/m], DIN Rating of C, ANSI Rating of Heavy-Duty, ADA compliant, H-20 Load Rated. Ductile Iron Conforms to ASTM Specification A536, Grade 80-55-06.



ADA-USA- ADA Compliant	
Material:	Ductile Iron
DIN Rating:	Class C
Weight:	26.5 lbs/ft. [39.4 kg/m]
Open Area:	66 sq. in <sup>2</sup> /ft.[1398cm <sup>2</sup> /m]
ANSI Rating:	Heavy-Duty
Application:	Roadway, ADA
Slot Width/Hole Size:	1/2" [13 cm]
ADA:	Yes
H-20:	Yes
FAA:	No



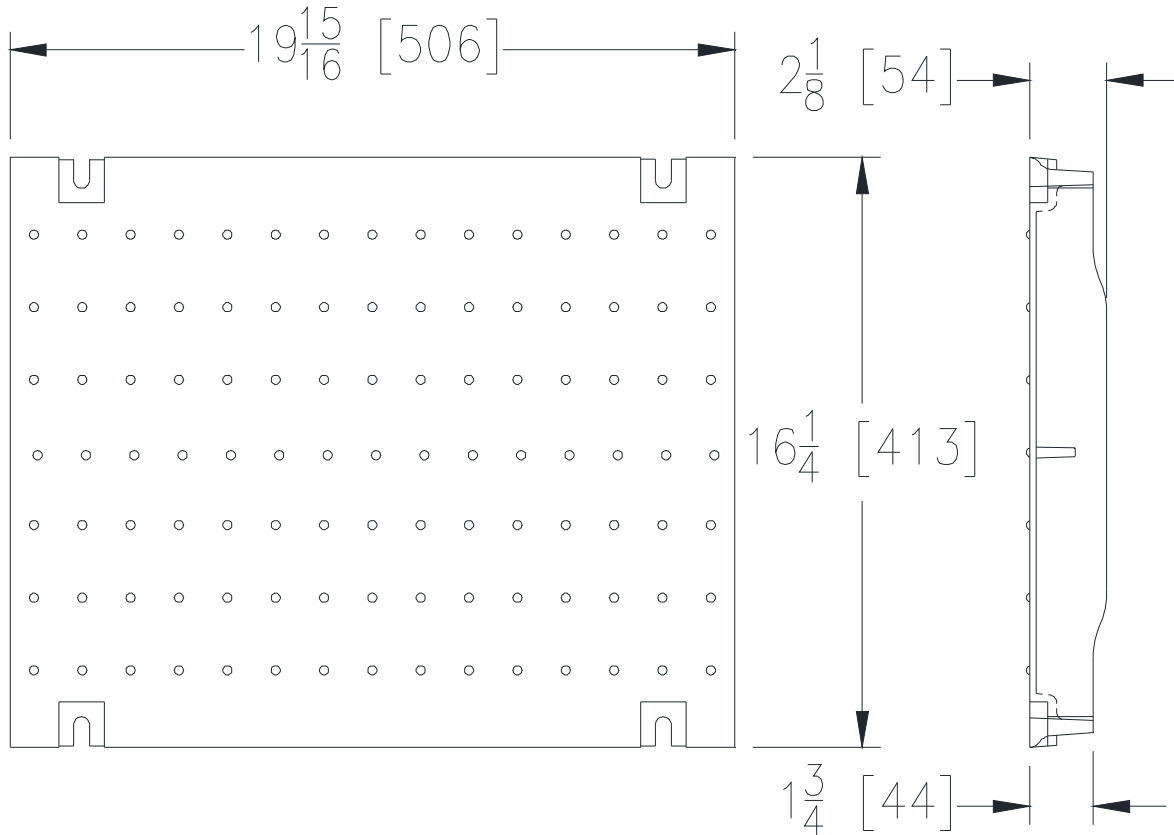
# P874-12-DCC

## 12[305] Wide Throat Cover

Dimensional Data (inches and [ mm ]) are Subject to Manufacturing Tolerances and Change Without Notice

[Back to Index](#)

Please Check ✓	Item No.	Part Number	Item I.D.
	2	67600	P874-12-DCC



### DCC COVER ENGINEERING SPECIFICATION: The Zurn P874-12-DCC

Solid Cover, Ductile Iron, is 16-1/4"[413mm] wide by 19-15/16"[506mm] long, weighing 29 lbs per linear foot [43.2 kg/m]. The solid cover has a DIN Rating of C, ANSI Rating of Heavy-Duty, ADA Compliant, H-20 Load Rated. Ductile Iron Conforms to ASTM Specification A536, Grade 80-55-06.

DCC - Solid Cover Ductile	
Material:	Ductile Iron
DIN Rating:	Class C
Weight:	29 lbs/ft. [43.2 kg/m]
Open Area:	N/A
ANSI Rating:	Heavy-Duty
Application:	Heavy Vehicle, Truck & Conduit
Slot Width/Hole Size:	N/A
ADA:	Yes
H-20:	Yes
FAA:	No



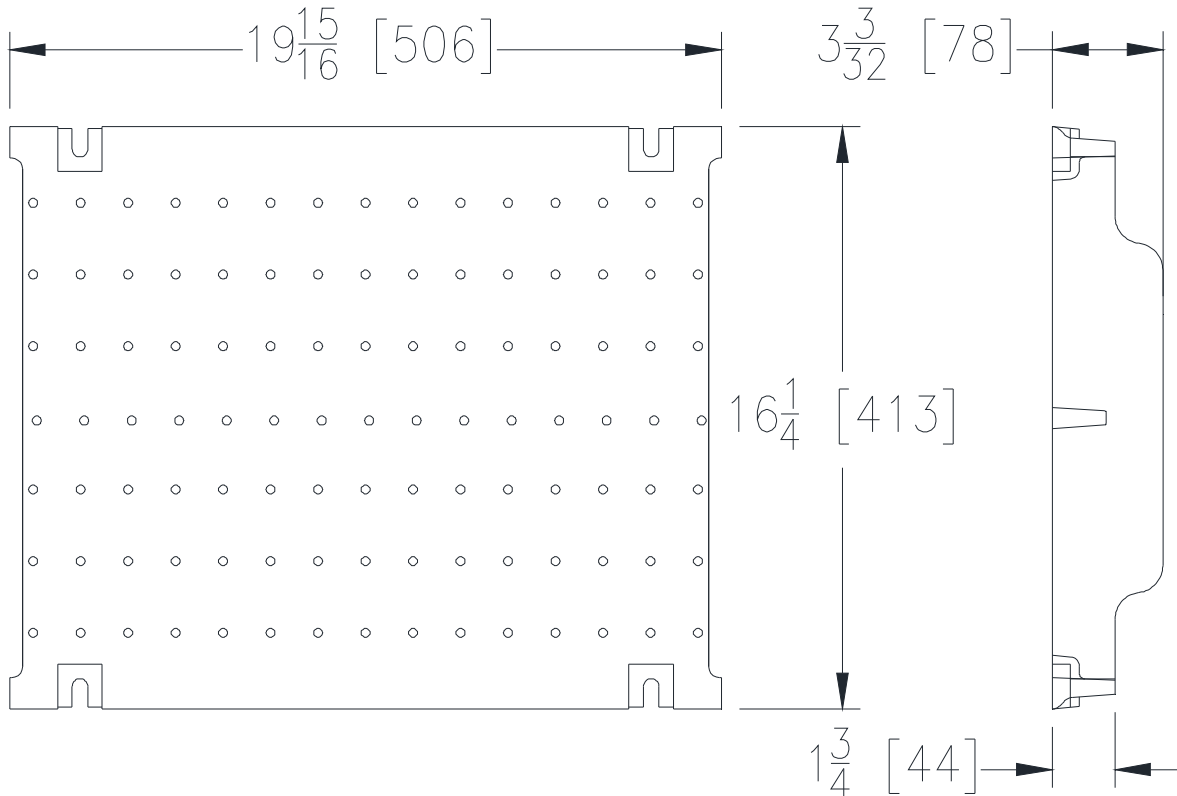
# P874-12-DCF

## 12[305] Wide Throat Cover

Dimensional Data (inches and [ mm ]) are Subject to Manufacturing Tolerances and Change Without Notice

[Back to Index](#)

Please Check ✓	Item No.	Part Number	Item I.D.
	3	94068	P874-12-DCF



**DCF COVER ENGINEERING SPECIFICATION:** The Zurn P874-12-DCF Solid Cover, Ductile Iron, is 16-1/4" [413mm] wide by 19-15/16"[506mm] long, weighing 48 lbs per linear foot [71.4 kg/m]. The solid cover has a DIN Rating of F, ANSI Rating of Special-Duty, ADA Compliant, H-20 Load Rated and FAA Load Rated. Ductile Iron Conforms to ASTM Specification A536, Grade 80-55-06.

DCF - Solid Cover Ductile	
Material:	Ductile Iron
DIN Rating:	Class F
Weight:	48 lbs/ft. [71.4 kg/m]
Open Area:	N/A
ANSI Rating:	Special-Duty
Application:	Hard Wheel Loads
Slot Width/Hole Size:	N/A
ADA:	Yes
H-20:	Yes
FAA:	Yes



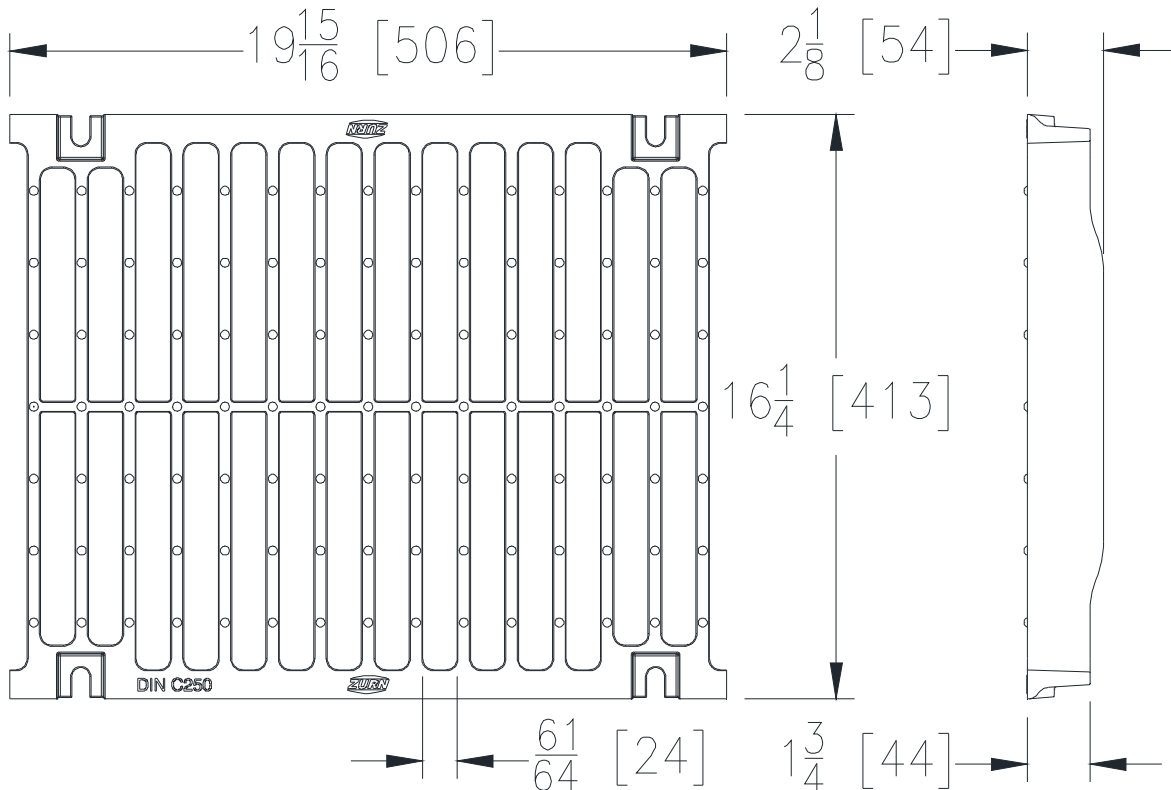
# P874-12-DGC

## 12[305] Wide Throat Grate

Dimensional Data (inches and [ mm ]) are Subject to Manufacturing Tolerances and Change Without Notice

[Back to Index](#)

Please Check ✓	Item No.	Part Number	Item I.D.
	4	67599	P874-12-DGC



**DGC GRATE ENGINEERING SPECIFICATION:** The Zurn P874-12-DGC Slotted Grate, Ductile Iron, is 16-1/4" [413mm] wide by 19-15/16" [506mm] long, weighing 28 lbs per linear foot [41.4 kg/m]. The grate has an open area of 118 square inches per linear foot [2497 cm<sup>2</sup>/m], DIN Rating of C, ANSI Rating of Heavy-Duty, H-20 Load Rated. Ductile Iron Conforms to ASTM Specification A536, Grade 80-55-06.

DGC -Ductile Iron	
Material:	Ductile Iron
DIN Rating:	Class C
Weight:	28 lbs/ft. [41.4 kg/m]
Open Area:	118 in <sup>2</sup> /ft. [2497 cm <sup>2</sup> /m]
ANSI Rating:	Heavy-Duty
Application:	Vehicle & Truck
Slot Width/Hole Size:	61/64" [24mm]
ADA:	No
H-20:	Yes
FAA:	No



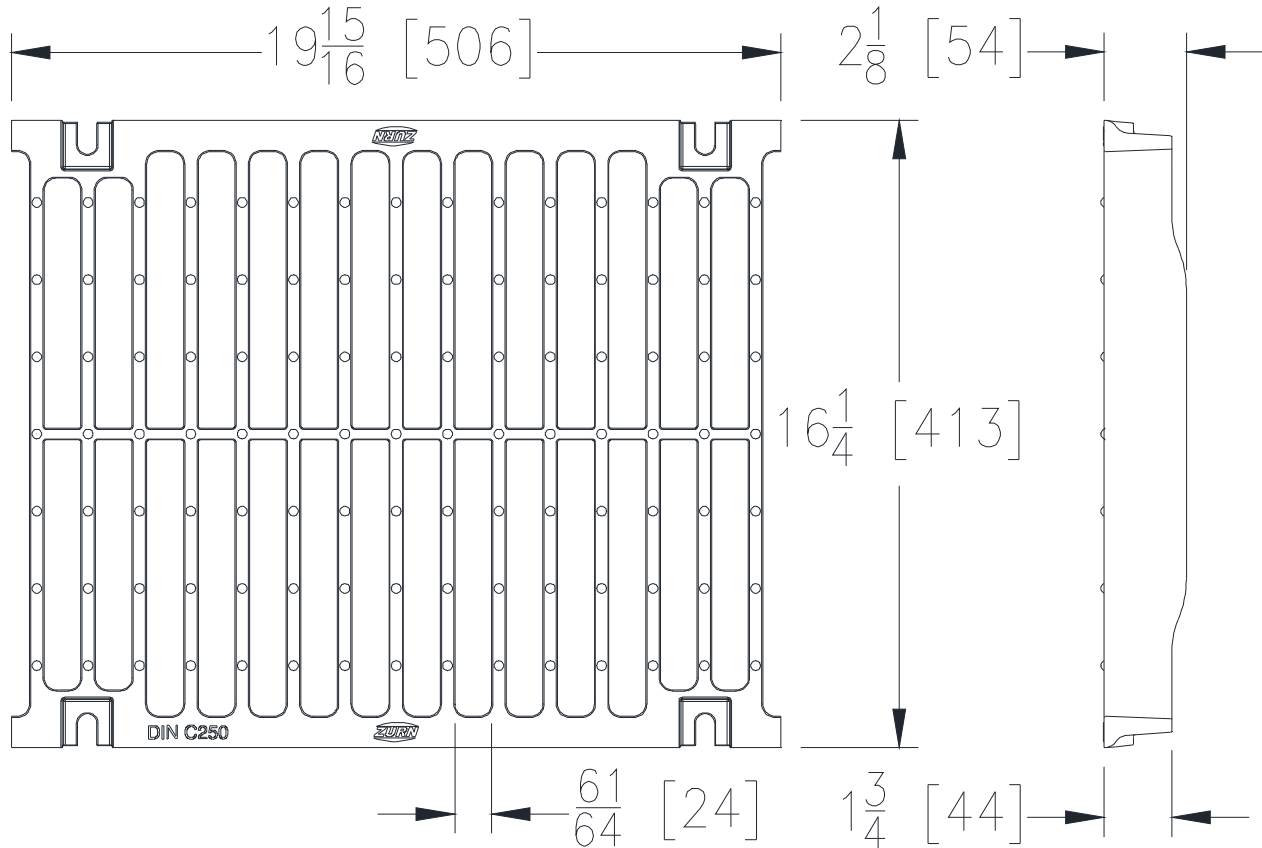
# P874-12-DGC-USA

## 12[305] Wide Throat Domestic Grate

Dimensional Data (inches and [ mm ]) are Subject to Manufacturing Tolerances and Change Without Notice

[Back to Index](#)

Please Check ✓	Item No.	Part Number	Item I.D.
	5	67599	P874-12-DGC-USA



**DGC-USA GRATE ENGINEERING SPECIFICATION:** The Zurn P874-12-DGC-USA Slotted Grate, Ductile Iron, is 16-1/4" [413mm] wide by 19-15/16" [506mm] inches long, weighing 28 lbs per linear foot [41.4 kg/m]. The grate has an open area of 118 square inches per linear foot [2497 cm<sup>2</sup>/m], DIN Rating of C, ANSI Rating of Heavy-Duty, H-20 Load Rated. Ductile Iron Conforms to ASTM Specification A536, Grade 80-55-06.

DGC-USA -Domestic Ductile Iron	
Material:	Ductile Iron
DIN Rating:	Class C
Weight:	28 lbs/ft. [41.4 kg/m]
Open Area:	118 in <sup>2</sup> /ft. [2497 cm <sup>2</sup> /m]
ANSI Rating:	Heavy-Duty
Application:	Vehicle & Truck
Slot Width/Hole Size:	61/64" [24 mm]
ADA:	No
H-20:	Yes
FAA:	No





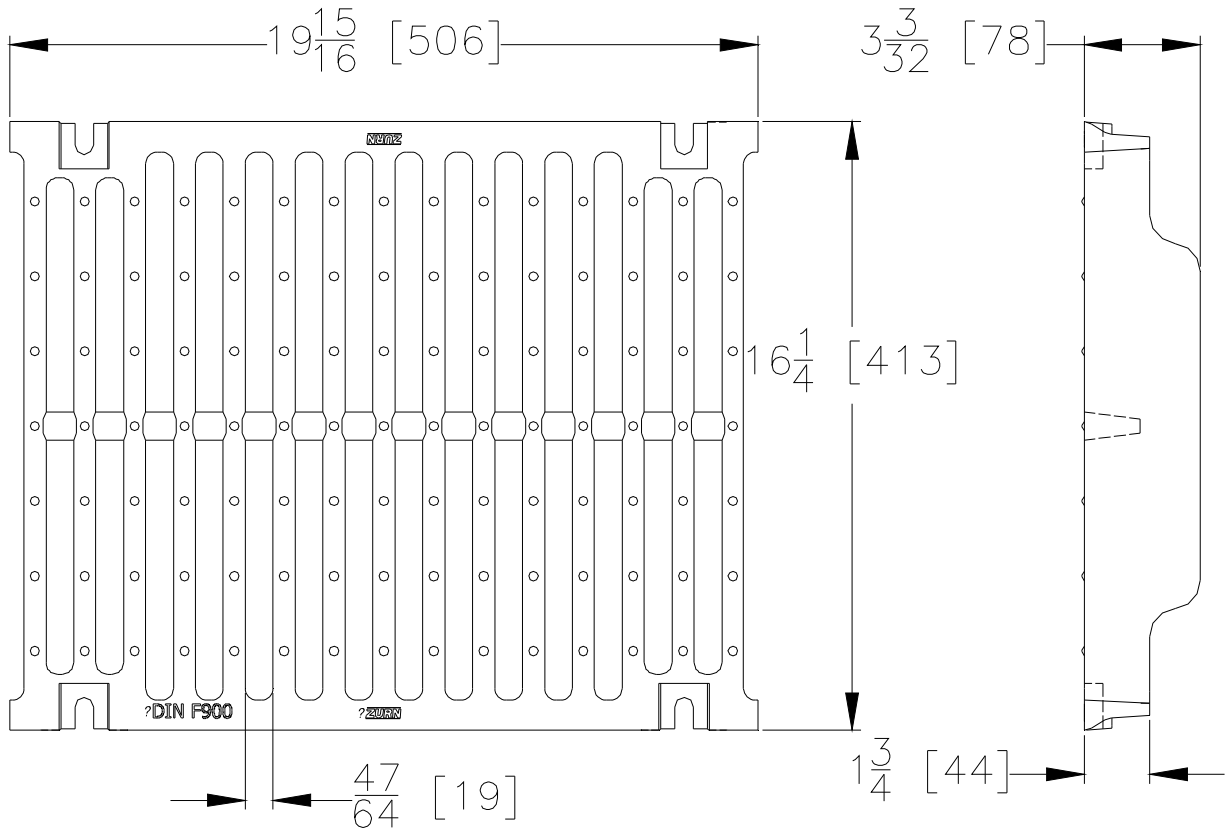
# P874-12-DGF

## 12[305] Wide Throat Gate

Dimensional Data (inches and [ mm ]) are Subject to Manufacturing Tolerances and Change Without Notice

[Back to Index](#)

Please Check ✓	Item No.	Part Number	Item I.D.
	6	67611	P874-12-DGF



**DGF GRATE ENGINEERING SPECIFICATION:** The Zurn P874-12-DGF Slotted Gate, Ductile Iron, is 16-1/4"[413mm] wide by 19-15/16"[506mm] long, weighing 49 lbs per linear foot[72.2 kg/m]. The grate has an open area of 90 square inches per linear foot[1902 cm<sup>2</sup>/m], DIN Rating of F, ANSI Rating of Special-Duty, H-20 Load Rated, FAA Load Rated. Ductile Iron Conforms to ASTM Specification A536, Grade 80-55-06.

DGF - Ductile Iron Slotted	
Material:	Ductile Iron
DIN Rating:	Class F
Weight:	49 lbs/ft.[72.2 kg/m]
Open Area:	90 in <sup>2</sup> /ft.[1902 cm <sup>2</sup> /m]
ANSI Rating:	Special-Duty
Application:	Dynamic loads
Slot Width/Hole Size:	47/64" [19 mm]
ADA:	No
H-20:	Yes
FAA:	Yes



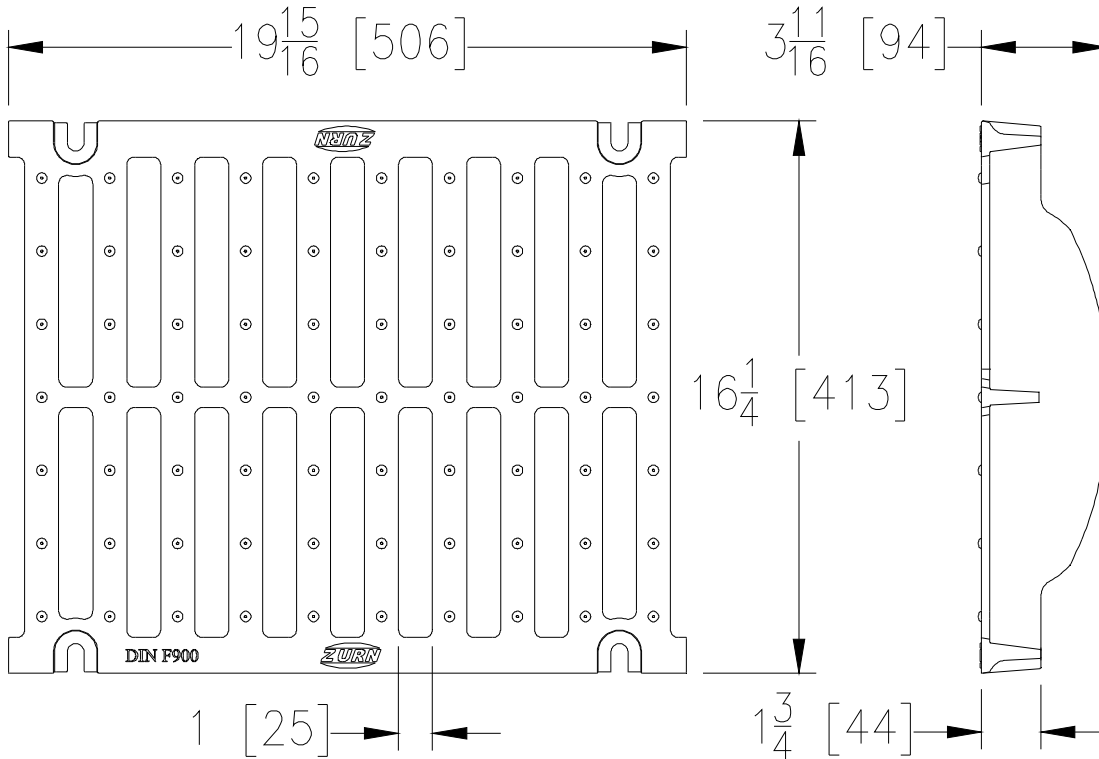
# P874-12-DGF-USA

12[305] Wide Throat Domestic Gate

Dimensional Data (inches and [ mm ]) are Subject to Manufacturing Tolerances and Change Without Notice

[Back to Index](#)

Please Check ✓	Item No.	Part Number	Item I.D.
	7	84262	P874-12-DGF-USA



**DGF-USA GRATE ENGINEERING SPECIFICATION:** The Zurn P874-12-DGF-USA Slotted Gate, Ductile Iron, is 16-1/4" [413mm] wide by 19-15/16"[506mm] long, weighing 39.8 lbs per linear foot [59.2 kg/m]. The grate has an open area of 120 square inches per linear foot[2540 cm<sup>2</sup>/m], DIN Rating of F, ANSI Rating of Special-Duty, H-20 Load Rated, FAA Load Rated. Ductile Iron Conforms to ASTM Specification A536, Grade 80-55-06.



DGF-USA - Domestic Ductile Iron	
Material:	Ductile Iron
DIN Rating:	Class F
Weight:	39.8 lbs/ft. [59.2 kg/m]
Open Area:	120 in <sup>2</sup> /ft. [2540 cm <sup>2</sup> /m]
ANSI Rating:	Special-Duty
Application:	Dynamic loads
Slot Width/Hole Size:	1" [25 mm]
ADA:	No
H-20:	Yes
FAA:	Yes





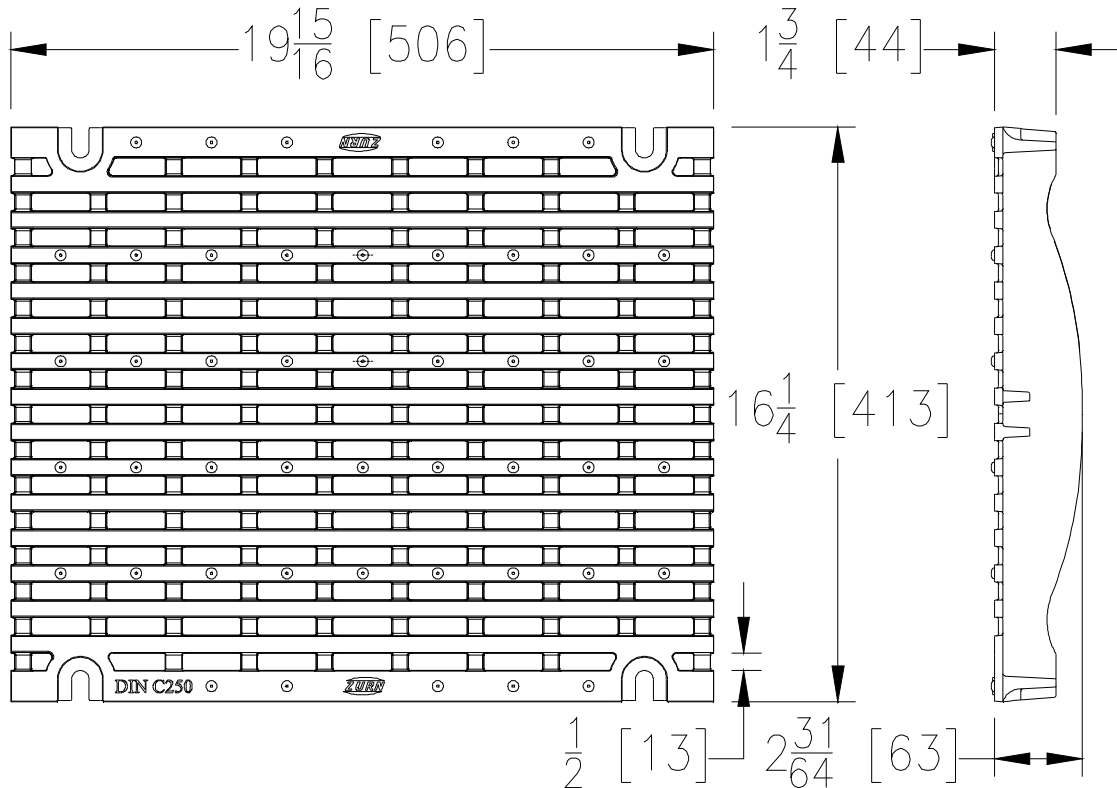
# P874-12-GADA-USA

## 12[305] Wide Throat Domestic Grate

Dimensional Data (inches and [ mm ]) are Subject to Manufacturing Tolerances and Change Without Notice

[Back to Index](#)

Please Check ✓	Item No.	Part Number	Item I.D.
	8	94528	P874-12-GADA-USA



**GADA-USA GRATE ENGINEERING SPECIFICATION:** The Zurn P874-12-GADA-USA ADA Compliant, Galvanized Ductile Iron Grate, is 16-1/4"[413mm] wide by 19-15/16"[506mm] long, weighing 26.5 lbs per linear foot[39.4 kg/m]. The grate has an open area of 66 square inches per linear foot[1398 cm<sup>2</sup>/m], DIN Rating of C, ANSI Rating of Heavy-Duty, ADA compliant, H-20 Load Rated. Ductile Iron Conforms to ASTM Specification A536, Grade 80-55-06. Galvanizing (hot dip) conforms to ASTM specification A123.

GADA-USA- ADA Compliant	
Material:	Galvanized Ductile Iron
DIN Rating:	Class C
Weight:	26.5 lbs/ft. [39.4 kg/m]
Open Area:	66 in <sup>2</sup> /ft. [1398 cm <sup>2</sup> /m]
ANSI Rating:	Heavy-Duty
Application:	Heel-Proof, Roadway
Slot Width/Hole Size:	1/2" [13]
ADA:	Yes
H-20:	Yes
FAA:	No



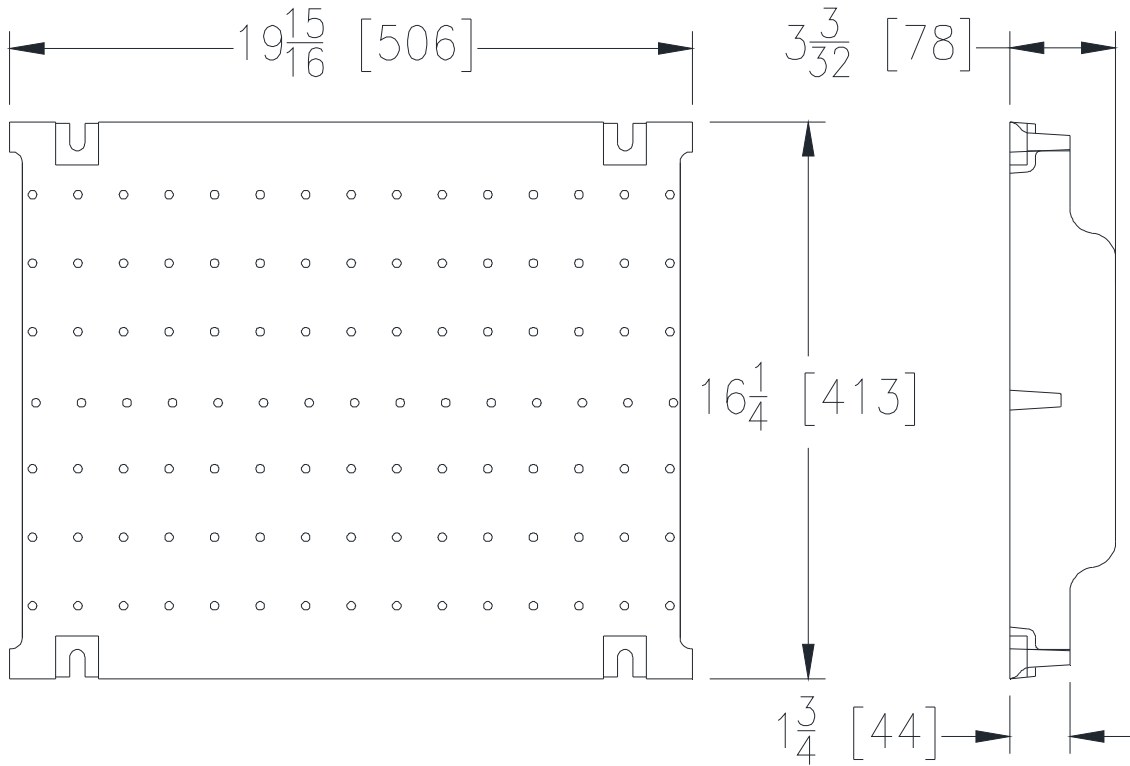


**P874-12-GCF**  
12[305] Wide Throat Cover

Dimensional Data (inches and [ mm ]) are Subject to Manufacturing Tolerances and Change Without Notice

[Back to Index](#)

Please Check ✓	Item No.	Part Number	Item I.D.
	9	94068	P874-12-GCF



**GCF COVER ENGINEERING SPECIFICATION:** Zurn 16-1/4"[413mm] Wide by 19-15/16" [506mm] long Ductile Iron Galvanized Solid Cover. Ductile Iron conforms to ASTM specification A536, Grade 80-55-06. Ductile Iron Solid Cover is rated class F per the DIN 19580 top load classification. Four corner lockdown recesses provided for securing to frame. Galvanizing (Hot dip) conforms to ASTM specification A123.

GCF - Galvanized Ductile Iron Solid Cover	
Material:	Ductile Iron
DIN Rating:	Class F
Weight:	48 lbs/ft.[71.4 kg/m]
Open Area:	N/A.
ANSI Rating:	Special-Duty
Application:	Hard Wheel Loads
Slot Width/Hole Size:	N/A
ADA:	Yes
H-20:	Yes
FAA:	Yes



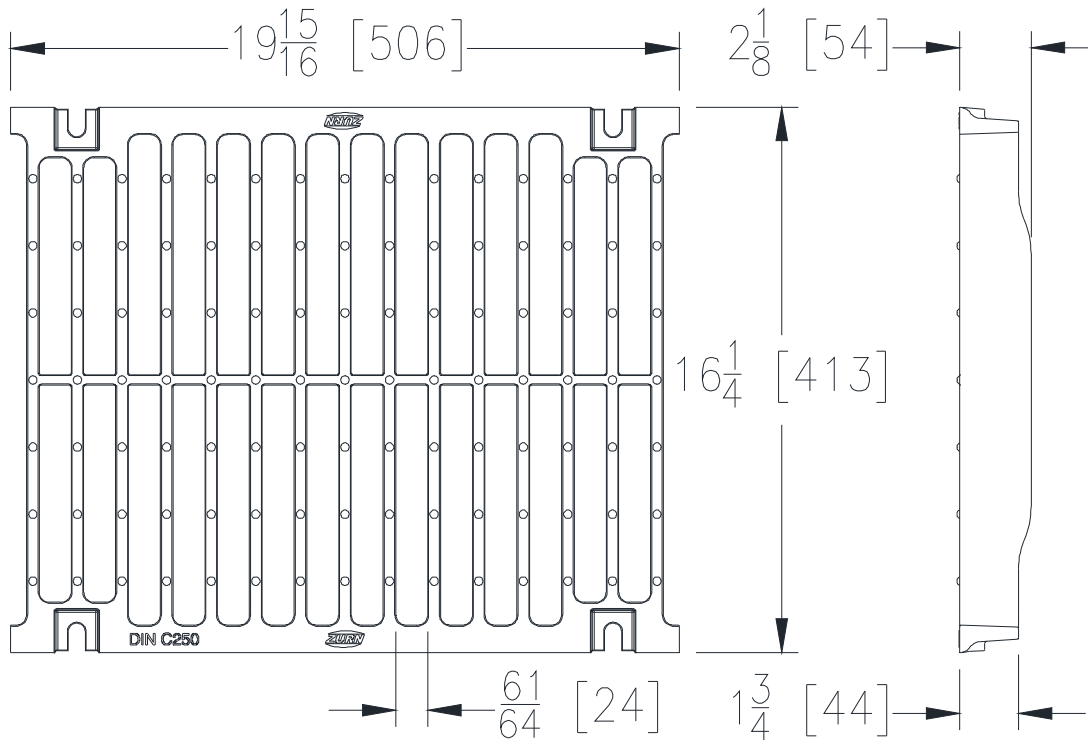
# P874-12-GDC

## 12[305] Wide Throat Grate

Dimensional Data (inches and [ mm ]) are Subject to Manufacturing Tolerances and Change Without Notice

[Back to Index](#)

Please Check ✓	Item No.	Part Number	Item I.D.
	10	67599	P874-12-GDC



**GDC GRATE ENGINEERING SPECIFICATION:** The Zurn P874-12-GDC Slotted Grate, Galvanized Ductile Iron, is 16-1/4"[413mm] wide by 19-15/16"[506mm] long, weighing 28 lbs per linear foot [41.4 kg/m]. The grate has an open area of 118 square inches per linear foot [2497 cm<sup>2</sup>/m], DIN Rating of C, ANSI Rating of Heavy-Duty, H-20 Load Rated. Ductile Iron Conforms to ASTM Specification A536, Grade 80-55-06. Galvanizing (hot dip) conforms to ASTM specification A123.

GDC - Galvanized Ductile Iron	
Material:	Galvanized Ductile Iron
DIN Rating:	Class C
Weight:	28 lbs/ft. [41.4 kg/m]
Open Area:	118 in <sup>2</sup> /ft. [2497 cm <sup>2</sup> /m]
ANSI Rating:	Heavy-Duty
Application:	Vehicle & Truck
Slot Width/Hole Size:	61/64" [24 mm]
ADA:	No
H-20:	Yes
FAA:	No



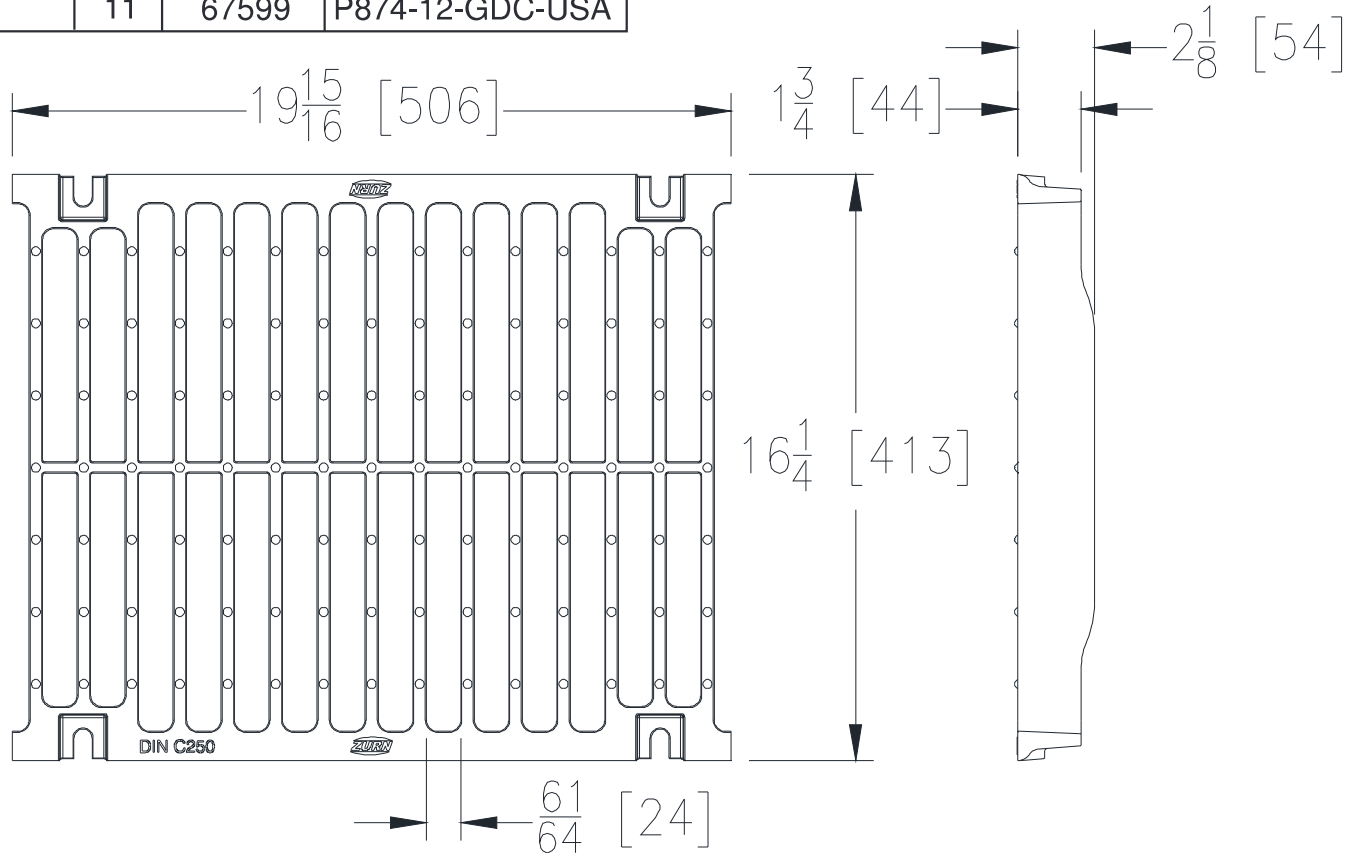
# P874-12-GDC-USA

## 12[305] Wide Throat Domestic Grate

Dimensional Data (inches and [ mm ]) are Subject to Manufacturing Tolerances and Change Without Notice

[Back to Index](#)

Please Check	Item No.	Part Number	Item I.D.
✓	11	67599	P874-12-GDC-USA



**GDC-USA GRATE ENGINEERING SPECIFICATION:** The Zurn P874-12-GDC-USA Slotted Grate, Galvanized Ductile Iron, is 16-1/4"[413mm] wide by 19-15/16"[506mm] long, weighing 28 lbs per linear foot[41.4 kg/m]. The grate has an open area of 118 square inches per linear foot[2497 cm<sup>2</sup>/m], DIN Rating of C, ANSI Rating of Heavy-Duty, H-20 Load Rated. Ductile Iron Conforms to ASTM Specification A536, Grade 80-55-06. Galvanizing (hot dip) conforms to ASTM specification A123.

GDC-USA -Galvanized Domestic Ductile Iron	
Material:	Galvanized Ductile Iron
DIN Rating:	Class C
Weight:	28 lbs/ft. [41.4 kg/m]
Open Area:	118 in <sup>2</sup> /ft. [2497 cm <sup>2</sup> /m]
ANSI Rating:	Heavy-Duty
Application:	Vehicle & Truck
Slot Width/Hole Size:	6 1/64" [24 mm]
ADA:	No
H-20:	Yes
FAA:	No





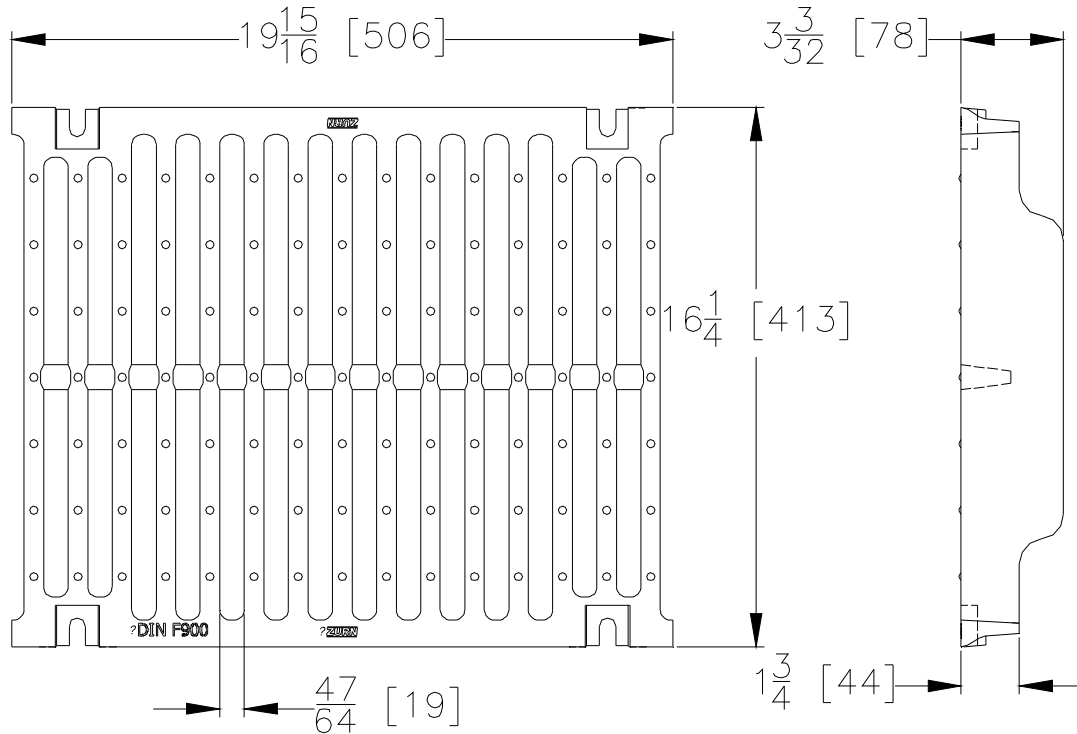
# P874-12-GDF

## 12[305] Wide Throat Grate

Dimensional Data (inches and [ mm ]) are Subject to Manufacturing Tolerances and Change Without Notice

[Back to Index](#)

Please Check ✓	Item No.	Part Number	Item I.D.
	12	67611	P874-12-GDF



### GDF GRATE ENGINEERING SPECIFICATION: The Zurn P874-12-GDF

Slotted Grate, Galvanized Ductile Iron, is  $16\frac{1}{4}$ "[413mm] wide by  $19\frac{15}{16}$ "[506mm] long, weighing 49 lbs per linear foot [72.2 kg/m]. The grate has an open area of 90 square inches per linear foot [1902 cm<sup>2</sup>/m], DIN Rating of F, ANSI Rating of Special-Duty, H-20 Load Rated, FAA Load Rated. Ductile Iron Conforms to ASTM Specification A536, Grade 80-55-06. Galvanizing (hot dip) conforms to ASTM specification A123.

GDF - Galvanized Ductile Iron	
Material:	Galvanized Ductile Iron
DIN Rating:	Class F
Weight:	49 lbs/ft. [72.2 kg/m]
Open Area:	90 in <sup>2</sup> /ft. [1902 cm <sup>2</sup> /m]
ANSI Rating:	Special-Duty
Application:	Hard Wheel & Truck
Slot Width/Hole Size:	$\frac{47}{64}$ " [19 mm]
ADA:	No
H-20:	Yes
FAA:	Yes



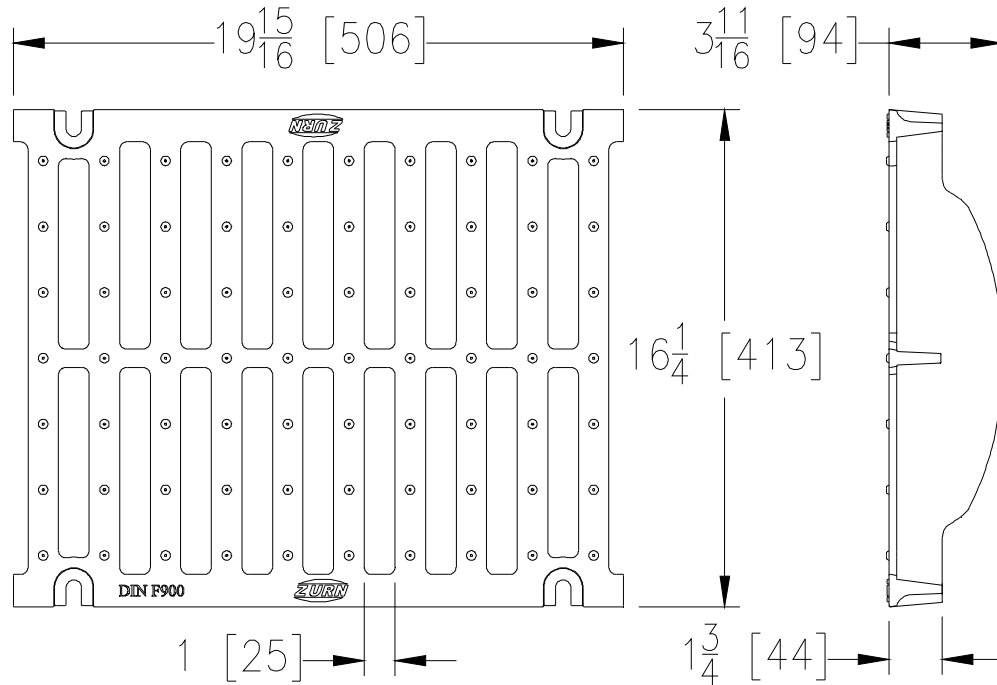
# P874-12-GDF-USA

## 12[305] Wide Throat Domestic Grate

Dimensional Data (inches and [ mm ]) are Subject to Manufacturing Tolerances and Change Without Notice

[Back to Index](#)

Please Check ✓	Item No.	Part Number	Item I.D.
	13	84262	P874-12-GDF-USA



**GDF-USA GRATE ENGINEERING SPECIFICATION:** The Zurn P874-12-GDF-USA Slotted Grate, Galvanized Ductile Iron, is 16-1/4"[413mm] wide by 19-15/16"[506mm] long, weighing 39.8 lbs per linear foot [59.2 kg/m]. The grate has an open area of 120 square inches per linear foot [2540 cm<sup>2</sup>/m], DIN Rating of F, ANSI Rating of Special-Duty, H-20 Load Rated, FAA Load Rated. Ductile Iron Conforms to ASTM Specification A536, Grade 80-55-06. Galvanizing (hot dip) conforms to ASTM specification A123.

GDF-USA-Galvanized Domestic Ductile Iron	
Material:	Galvanized Ductile Iron
DIN Rating:	Class F
Weight:	39.8lbs/ft. [59.2 kg/m]
Open Area:	120 in <sup>2</sup> /ft. [2540 cm <sup>2</sup> /m]
ANSI Rating:	Special-Duty
Application:	Hard Wheel & Truck
Slot Width/Hole Size:	1" [25 mm]
ADA:	No
H-20:	Yes
FAA:	Yes



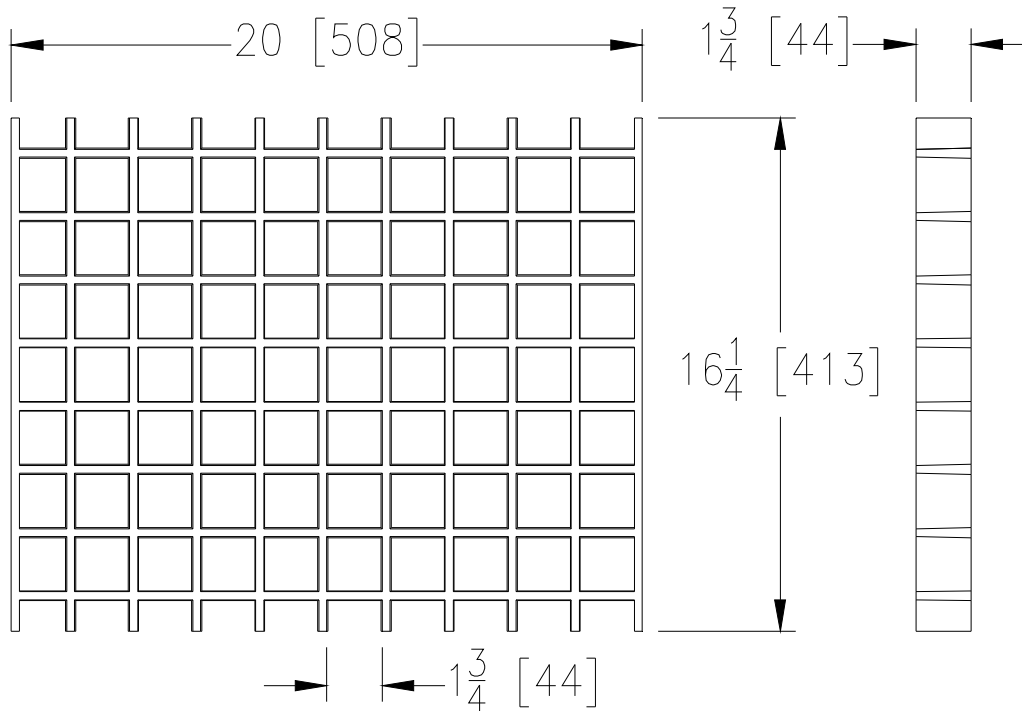


**P874-12-GG**  
12[305] Wide Throat Grate

Dimensional Data (inches and [ mm ]) are Subject to Manufacturing Tolerances and Change Without Notice

[Back to Index](#)

Please Check ✓	Item No.	Part Number	Item I.D.
	14	64344	P874-12-GG



**GG GRATE ENGINEERING SPECIFICATION:** The Zurn P874-12-GG Fiberglass Grate, is 16-1/4"[413mm] wide by 20"[508mm] long, weighing 6 lbs per linear foot[8.9 kg/m]. The grate has an open area of 147 square inches per linear foot[3111 cm<sup>2</sup>/m], DIN Rating of A, ANSI Rating of Light-Duty. Fiberglass Conforms to Composition Resin Reich hold 31-509-01, glass NICO.

<b>GG- Fiberglass Grate</b>	
Material:	Fiberglass
DIN Rating:	Class A
Weight:	6 lbs/ft. [8.9 kg/m]
Open Area:	147 in <sup>2</sup> /ft. [3111 cm <sup>2</sup> /m]
ANSI Rating:	Light-Duty
Application:	Chemical Resistance
Slot Width/Hole Size:	1-3/4" [44 mm]
ADA:	No
H-20:	No
FAA:	No

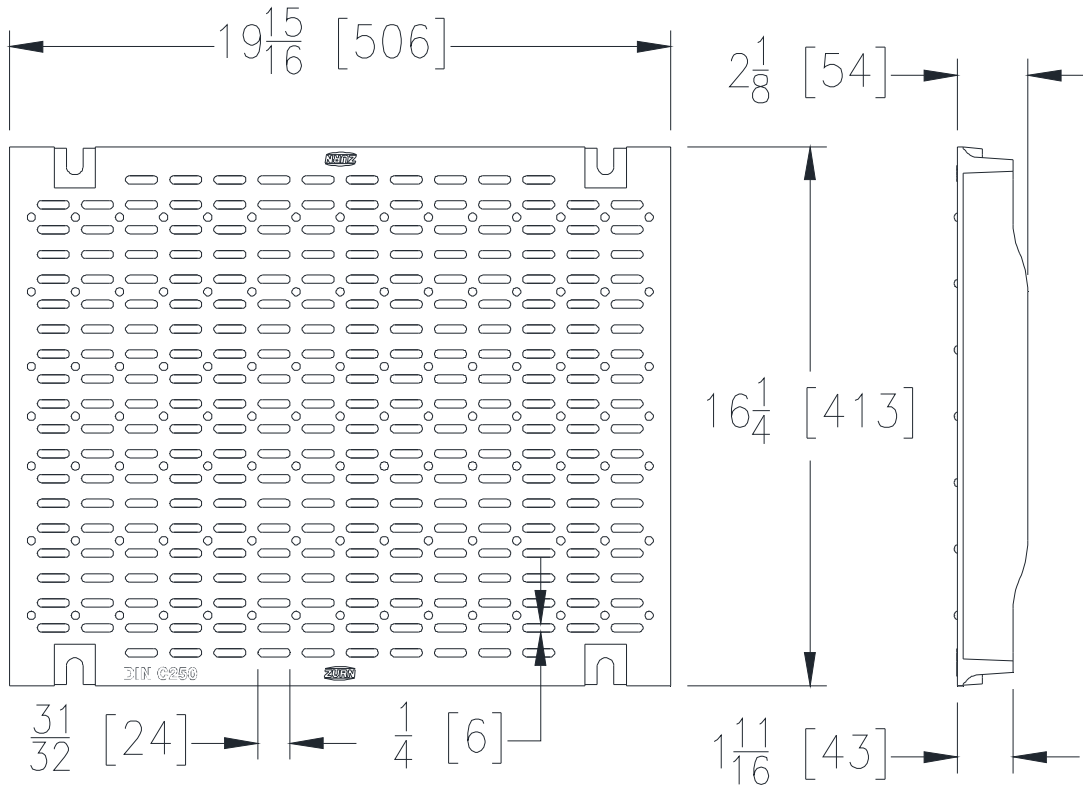


**P874-12-GHPD**  
12[305] Wide Throat Grate

Dimensional Data (inches and [ mm ]) are Subject to Manufacturing Tolerances and Change Without Notice

[Back to Index](#)

Please Check ✓	Item No.	Part Number	Item I.D.
	15	64402	P874-12-GHPD



**GHPD GRATE ENGINEERING SPECIFICATION:** The Zurn P874-12-GHPD Heel-Proof Longitudinal, Ductile Iron Grate, is 16-1/4"[413mm] wide by 19-15/16"[506mm] long, weighing 28.5 lbs per linear foot [42.4 kg/m]. The grate has an open area of 37 square inches per linear foot [783 cm<sup>2</sup>/m], DIN Rating of C, ANSI Rating of Heavy-Duty, ADA compliant, H-20 Load Rated. Ductile Iron Conforms to ASTM Specification A536, Grade 80-55-06. Galvanized (Hot Dip) conforms to ASTM Specification A123

<b>GHPD - Galvanized Heel-Proof</b>	
Material:	Galvanized Ductile Iron
DIN Rating:	Class C
Weight:	28.5 lbs/ft. [42.4 kg/m]
Open Area:	37 in <sup>2</sup> /ft. [783 cm <sup>2</sup> /m]
ANSI Rating:	Heavy-Duty
Application:	Heavy Vehicle & Truck
Slot Width/Hole Size:	1/4" [6 mm]
ADA:	Yes
H-20:	Yes
FAA:	No





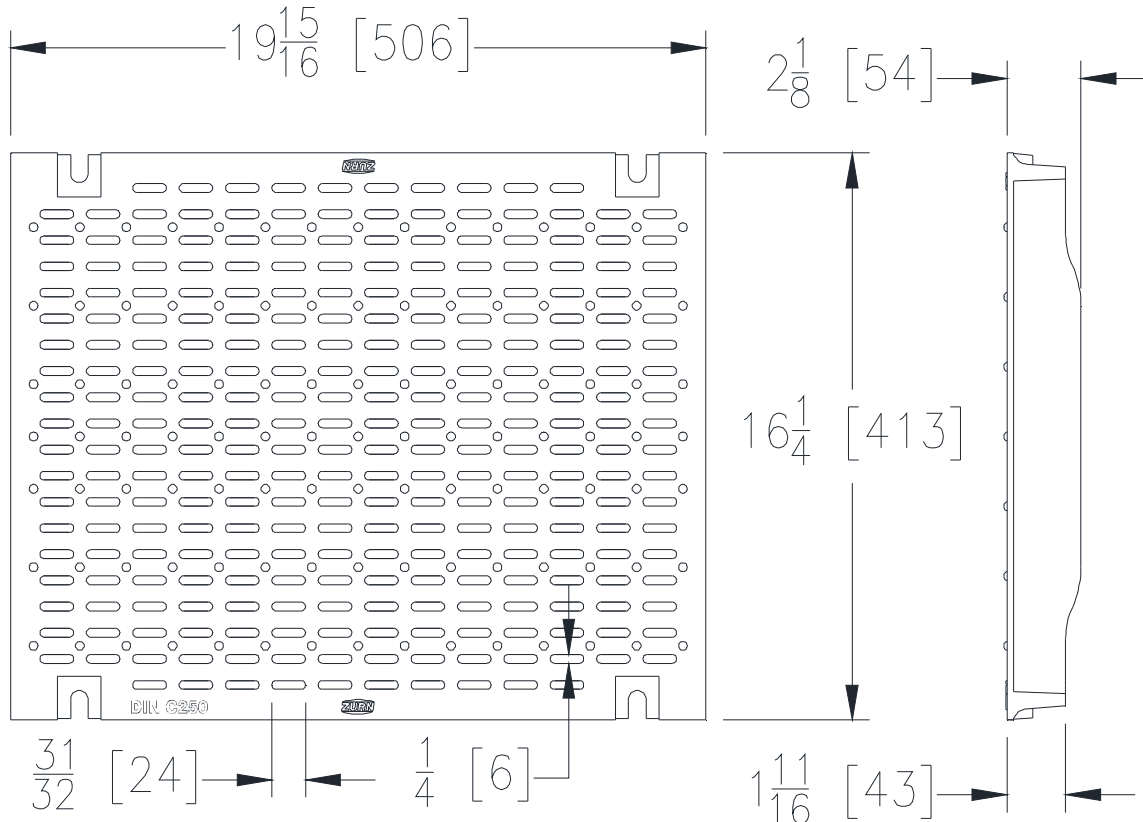
# P874-12-HPD

## 12[305] Wide Throat Grate

Dimensional Data (inches and [ mm ]) are Subject to Manufacturing Tolerances and Change Without Notice

[Back to Index](#)

Please Check ✓	Item No.	Part Number	Item I.D.
	16	64402	P874-12-HPD



**HPD GRATE ENGINEERING SPECIFICATION:** The Zurn P874-12-HPD Heel-Proof Longitudinal, Ductile Iron Grate, is 16-1/4"[413mm] wide by 19-15/16"[506mm] long, weighing 28.5 lbs per linear foot[42.4 kg/m]. The grate has an open area of 37 square inches per linear foot[783 cm<sup>2</sup>/m], DIN Rating of C, ANSI Rating of Heavy-Duty, ADA compliant, H-20 Load Rated. Ductile Iron Conforms to ASTM Specification A536, Grade 80-55-06

HPD - Heel-Proof	
Material:	Ductile Iron
DIN Rating:	Class C
Weight:	28.5 lbs/ft. [42.4 kg/m]
Open Area:	37 in <sup>2</sup> /ft. [783 cm <sup>2</sup> /m]
ANSI Rating:	Heavy-Duty
Application:	Heavy Vehicle & Truck
Slot Width/Hole Size:	1/4" [6 mm]
ADA:	Yes
H-20:	Yes
FAA:	No

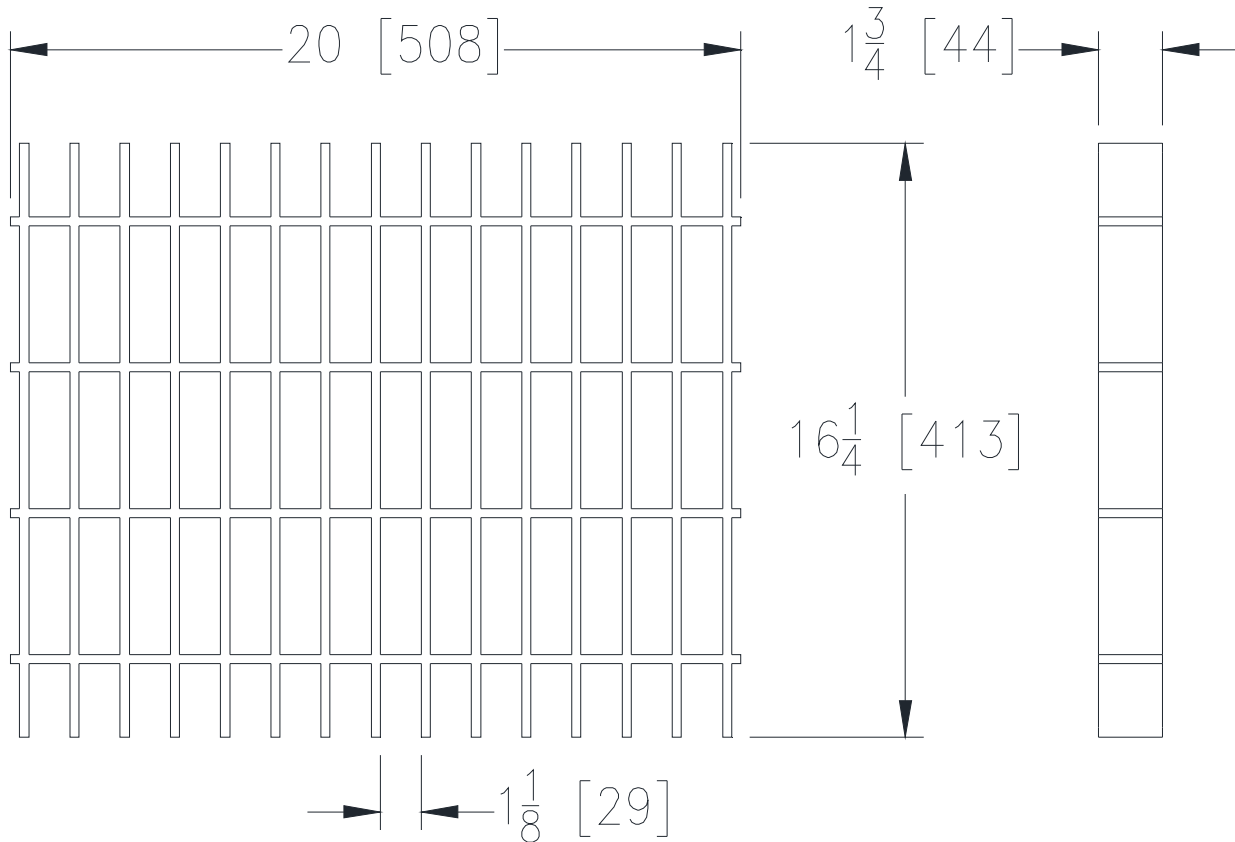


**P874-12-SBG**  
12[305] Wide Throat Grate

Dimensional Data (inches and [ mm ]) are Subject to Manufacturing Tolerances and Change Without Notice

[Back to Index](#)

Please Check ✓	Item No.	Part Number	Item I.D.
	17	311820	P874-12-SBG



**SBG GRATE ENGINEERING SPECIFICATION:** The Zurn P874-12-SBG Slotted Bar Grate, Stainless Steel is 16-1/4"[413mm] wide by 20"[508mm] long weighing 24.17 lbs per linear foot[35.96 kg/m]. The grate has a open area of 143 square inches per linear foot [3027 cm<sup>2</sup>/m], DIN Rating of C, ANSI Rating of Heavy-Duty, Stainless Steel conforms to ASTM A-240 Type 304 (or Type 316 by request).

<b>SBG - Stainless Bar Grate</b>	
Material:	304 Stainless Steel
DIN Rating:	Class C
Weight:	24.17 lbs/ft. [35.96 kg/m]
Open Area:	143 in <sup>2</sup> /ft. [3027 cm <sup>2</sup> /m]
ANSI Rating:	Heavy-Duty
Application:	Chemical Resistance
Slot Width/Hole Size:	1-1/8" [29 mm]
ADA:	No
H-20:	Yes
FAA:	No