



P4-FS

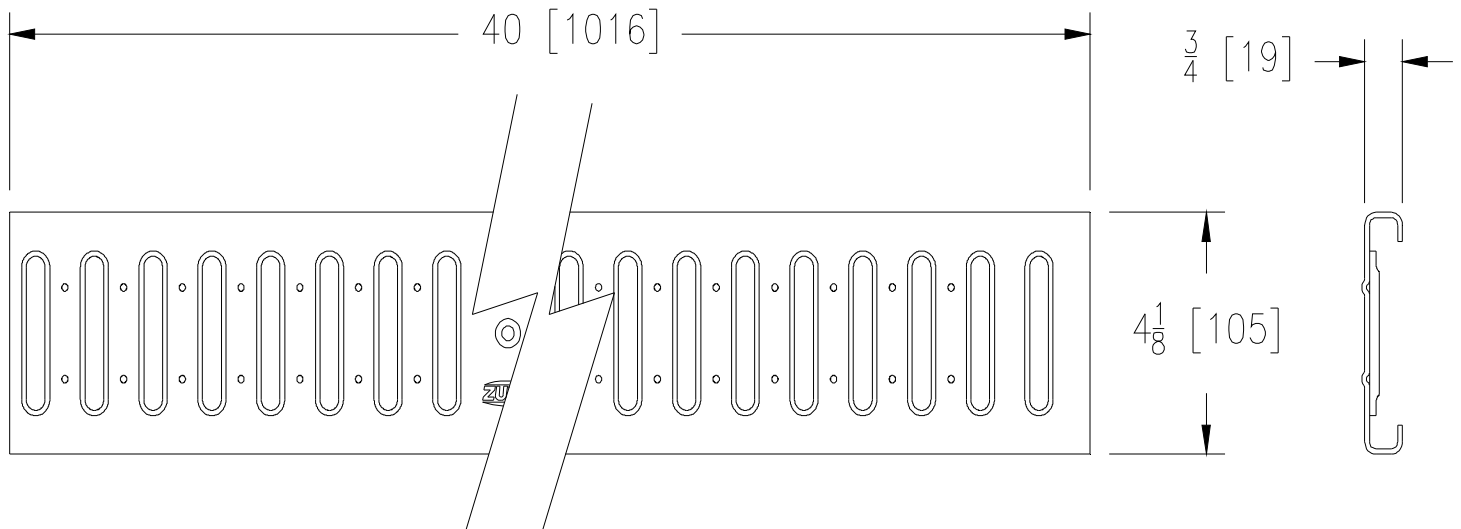
4-1/8 [103.5] WIDE FABRICATED STAINLESS STEEL SLOTTED GRATE

SPECIFICATION SHEET

TAG _____

Dimensional Data (inches and [mm]) are Subject to Manufacturing Tolerances and Change Without Notice

Please Check	Item No.	Part Number	Item I.D.
✓	4	62294	P4-FS



GRATE ENGINEERING SPECIFICATION: ZURN P4-FS

40" [1016mm] X 4-1/8" [105mm] Fabricated Stainless Steel Slotted Grate weighing 1.8 lbs. per linear foot [2.7 kg/m]. The grate has an open area of 10.2 square inches per linear foot [215.9 cm²/m] DIN Rating of Class A, ANSI rating of Light-Duty.

FS - Fabricated Stainless Steel Slotted Grate	
Material:	Stainless Steel
DIN Rating:	Class A
Weight:	1.8 lbs/ft. [2.7 kg/m]
Open Area:	10.2 in ² /ft. [215.9 cm ² /m]
ANSI Rating:	Light-Duty
Application:	Pedestrian, Food/Bev. Process
Slot Width/Hole Size:	0.375" [9.5mm]
ADA:	No
H-20:	No
FAA:	No

* Regularly furnished unless otherwise specified.