

TDS-CATH-0448

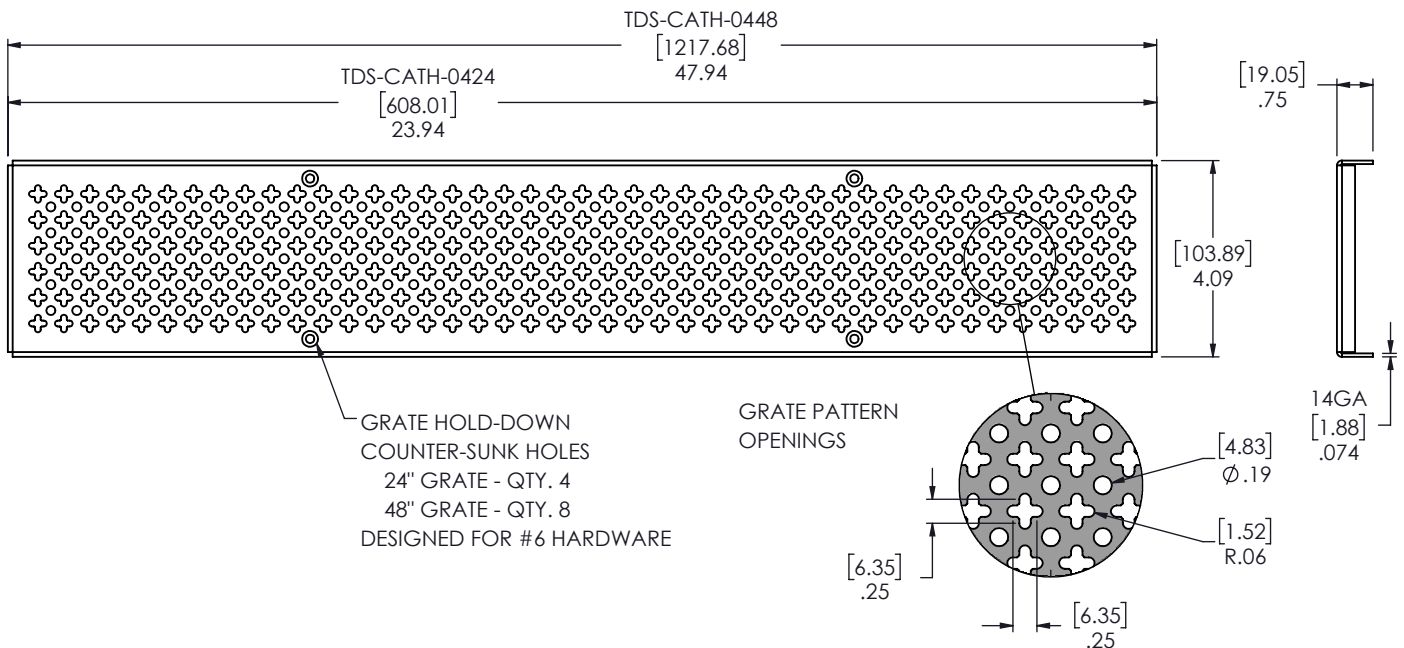
BRONZE AGE GRATE CATHEDRAL PATTERN for NDS SPEE-D CHANNEL



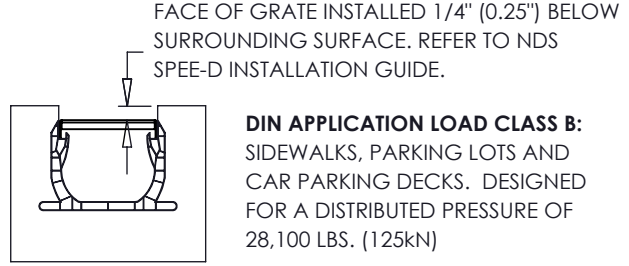
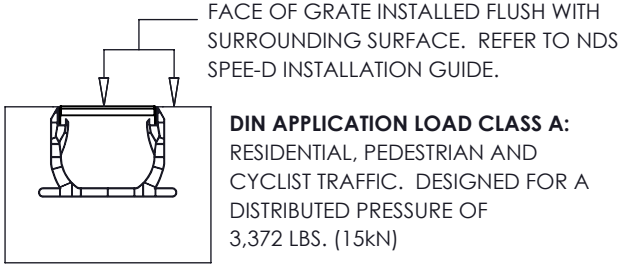
PART NO.	MATERIAL	WEIGHT	OPEN AREA	FLOW RATE	GRATE HOLD DOWN HARDWARE (NOT INCLUDED)
TDS-CATH-0424	GALVANIZED	2.25 LBS.	26%	43.45 GPM PER LINEAR FOOT WITH 1/2" OF HEAD	NDS-829
TDS-CATH-0424-S	304 STAINLESS	2.28 LBS.			
TDS-CATH-0448	GALVANIZED	4.44 LBS			
TDS-CATH-0448-S	304 STAINLESS	4.52 LBS			

**MEETS THE FOLLOWING STANDARDS AND SPECIFICATIONS:**

- DIN 19580 / DIN EN 1433 DRAINAGE CHANNELS FOR VEHICULAR AND PEDESTRIAN AREAS.
- THE AMERICANS WITH DISABILITIES ACT OF 1990: 4.5.4
- ASME A112.6.3 SECTION 7.12 HEEL RESISTANT STRAINERS AND GRATES



GRATE HOLD-DOWN COUNTER-SUNK HOLES  
 24" GRATE - QTY. 4  
 48" GRATE - QTY. 8  
 DESIGNED FOR #6 HARDWARE



DISCLAIMER - The customer and the customer's architects, engineers, consultants and other professionals are completely responsible for the selection, installation and maintenance of any product purchased from Trench Drain Systems and/or its manufacturers. TRENCH DRAIN SYSTEMS MAKES NO WARRANTY, EXPRESS OR IMPLIED, AS TO THE SUITABILITY, DESIGN, MERCHANTABILITY, OR FITNESS OF THE PRODUCT FOR CUSTOMERS APPLICATION. The drawing and information provided remain the property and copyright of the manufacturer listed. The manufacturer reserves the right to modify specification without notice.