

TDS-CATH-0336

BRONZE AGE CATHEDRAL PATTERN 2.69" WIDE GRATE

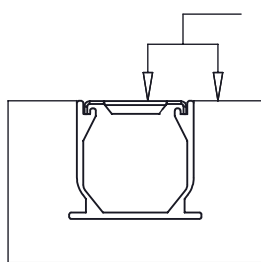
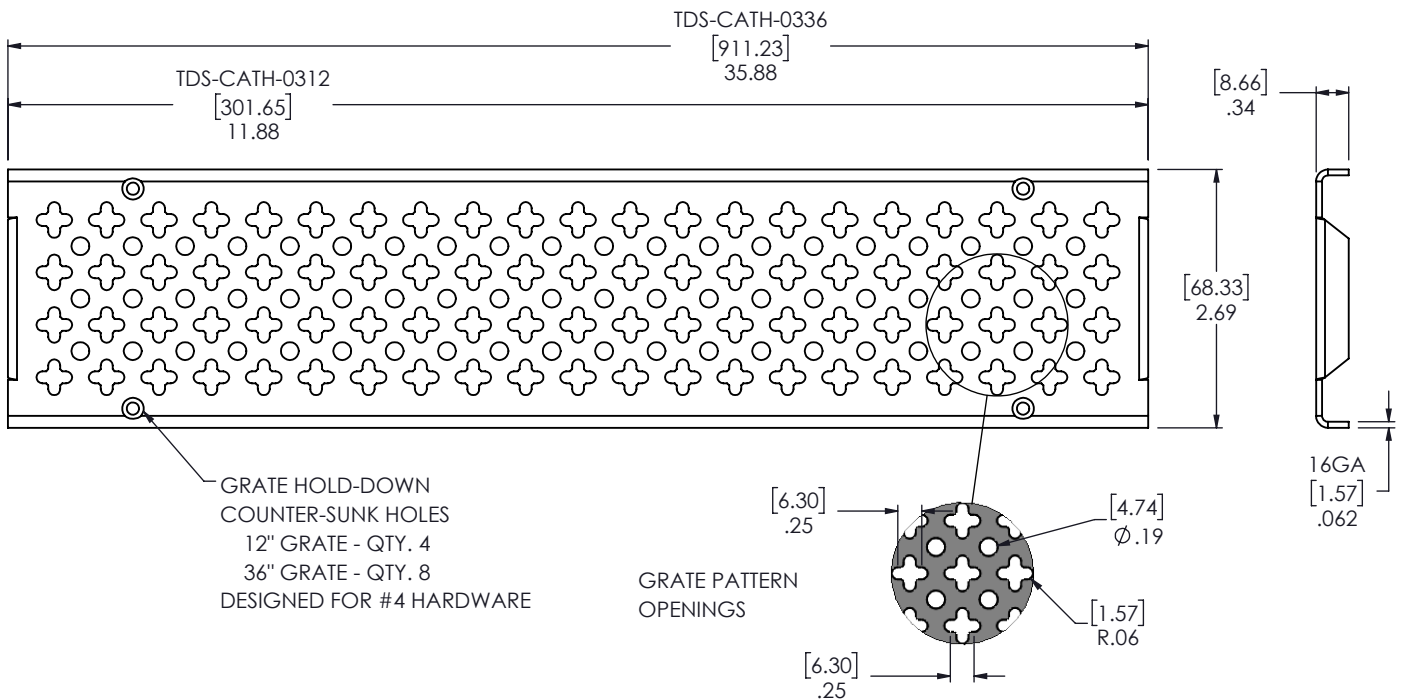


PART NO.	GRADE OF STAINLESS	WEIGHT	OPEN AREA	FLOW RATE	GRATE HOLD DOWN HARDWARE (NOT INCLUDED)
TDS-CATH-0312-L	316L (MARINE)	0.50 LBS.	30%	32.34 GPM PER LINEAR FOOT WITH 1/2" OF HEAD	NDS-529
TDS-CATH-0336-L		1.50 LBS.			

**MEETS THE FOLLOWING STANDARDS AND SPECIFICATIONS:**

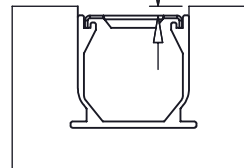
- DIN 19580 / DIN EN 1433 DRAINAGE CHANNELS FOR VEHICULAR AND PEDESTRIAN AREAS.
- THE AMERICANS WITH DISABILITIES ACT OF 1990: 4.5.4
- ASME A112.6.3 SECTION 7.12 HEEL RESISTANT STRAINERS AND GRATES.

SYSTEM MFG	SYSTEM
TDS	MAX-MINI
NDS	MINI CHANNEL



FACE OF GRATE INSTALLED FLUSH WITH SURROUNDING SURFACE. REFER TO NDS MINI CHANNEL INSTALLATION GUIDE.

**DIN APPLICATION LOAD CLASS A:**  
 RESIDENTIAL, PEDESTRIAN AND CYCLIST TRAFFIC. DESIGNED FOR A DISTRIBUTED PRESSURE OF 3,372 LBS. (15kN)



FACE OF GRATE INSTALLED 1/4" (0.25") BELOW SURROUNDING SURFACE. REFER TO NDS MINI CHANNEL INSTALLATION GUIDE.

**DIN APPLICATION LOAD CLASS B:**  
 SIDEWALKS, PARKING LOTS AND CAR PARKING DECKS. DESIGNED FOR A DISTRIBUTED PRESSURE OF 28,100 LBS. (125kN)



DISCLAIMER - The customer and the customer's architects, engineers, consultants and other professionals are completely responsible for the selection, installation and maintenance of any product purchased from Trench Drain Systems and/or its manufacturers. TRENCH DRAIN SYSTEMS MAKES NO WARRANTY, EXPRESS OR IMPLIED, AS TO THE SUITABILITY, DESIGN, MERCHANTABILITY, OR FITNESS OF THE PRODUCT FOR CUSTOMERS APPLICATION. The drawing and information provided remain the property and copyright of the manufacturer listed. The manufacturer reserves the right to modify specification without notice.