

BA-TAR-0312

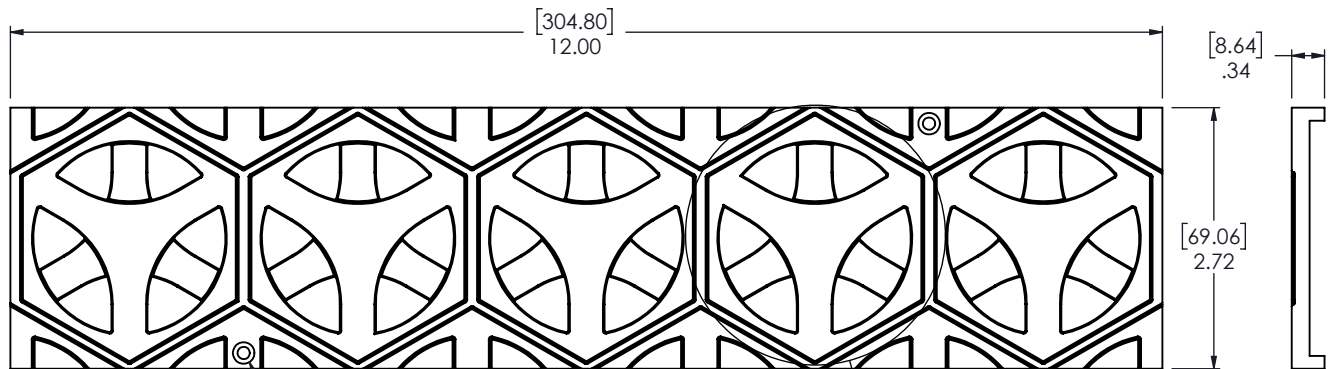
GRATE BRONZE AGE TARDIS PATTERN for NDS MINI CHANNEL



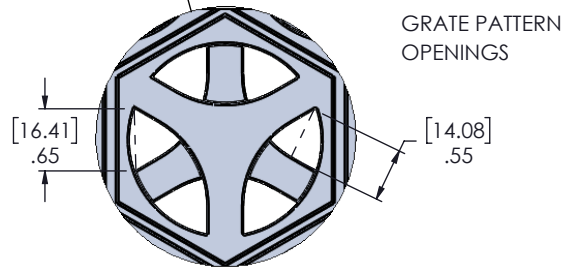
PART NO.	MATERIAL	MATERIAL SPEC	FINISH	WEIGHT	OPEN AREA	FLOW RATE	GRATE HOLD DOWN HARDWARE (NOT INCLUDED)
BA-TAR-0312	BRONZE	C84400	NATURAL	1.0 LBS.	19%	21.0 GPM PER LINEAR FOOT WITH 1/2" OF HEAD	NDS-529B
BA-TAR-0312-B			BRUSHED	1.0 LBS.			
BA-TAR-0312-A	ALUMINUM	ALMAG 35	NATURAL	0.5 LBS.			NDS-529
BA-TAR-0312-D	DUCTILE IRON	ASTM A48 / A48M-03 (35B)	NATURAL	1.3 LBS.			
BA-TAR-0312-BF			BAKED ON OIL FINISH				

MEETS THE FOLLOWING STANDARDS AND SPECIFICATIONS:

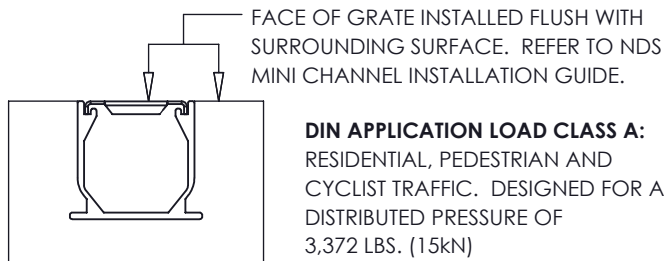
-THE AMERICANS WITH DISABILITIES ACT OF 1990: 4.5.4



GRATE HOLD-DOWN
 (2) COUNTER-SUNK HOLES
 DESIGNED FOR #4 HARDWARE



GRATE PATTERN
 OPENINGS



PATENT PENDING © 2021 TRENCH DRAIN SYSTEMS



DISCLAIMER - The customer and the customer's architects, engineers, consultants and other professionals are completely responsible for the selection, installation and maintenance of any product purchased from Trench Drain Systems and/or its manufacturers. TRENCH DRAIN SYSTEMS MAKES NO WARRANTY, EXPRESS OR IMPLIED, AS TO THE SUITABILITY, DESIGN, MERCHANTABILITY, OR FITNESS OF THE PRODUCT FOR CUSTOMERS APPLICATION. The drawing and information provided remain the property and copyright of the manufacturer listed. The manufacturer reserves the right to modify specification without notice.