



# GENERAL FOUNDRIES

EST. 1983

CONSTRUCTION, UTILITY  
AND MUNICIPAL CASTINGS

4th Edition



## Introduction

Intro	i
About Us	ii
Material / Technical Info	iii
Load Ratings	iv
Referenced Specifications	v
Bolted, Gasketed, Watertight Assemblies	vi - viii
Confidentiality / Payment Terms	ix
Warranty	x

## Round

Manhole Frames and Covers	MH1 - MH14
Manhole Frames and Grates	MH15 - MH22
Manhole Risers	MH23 - MH25

## Square / Rectangular

Frames and Covers	CB1 - CB5
Catch Basin Frames and Grates	CB6 - CB22
Inlet Frames and Grates	CB23 - CB29
Catch Basin / Inlet Risers	CB30 - CB35
Trench Frames and Grates	CB37 - CB38
Scuppers, Frames and Grates	CB39 - CB41

## Boxes

Cleanout / Monument Boxes	BX1 - BX6
Valve Boxes	BX7 - BX15
Roadway Boxes	BX15 - BX17
Service / Buffalo Boxes	BX18 - BX22
Minneapolis Style Boxes	BX23 - BX24
Erie / Arch Style Boxes	BX25 - BX28
Meter Box Covers	BX29 - BX37

## Municipal / Utility

Municipal Castings	MU1 - MU53
Utility Castings	MU54 - MU55

Cross Reference	CR1 - CR11
-----------------	------------



## Intro

Thank you for your interest in General Foundries products.

We are pleased to introduce the 4<sup>th</sup> edition General Foundries product catalog.

In this catalog, you will find an extensive listing of products; however, not the complete range of products we offer.

If there is a specific product you require but cannot find in this catalog, we encourage you to reach out to your local representative so we can assist you further.



## About us

Founded in 1983, General Foundries manufactures and offers a wide range of domestic and imported gray and ductile iron construction castings, as well as fabricated metal products.

Over the years, we have established a robust supply chain and customer base, allowing us to diversify our product portfolio and provide an assortment of services tailored to each customer's specific requirements.

Our mission is to provide exceptional quality products in the most economical and efficient way possible. We do this by implementing a few key practices:

- 1) Embedding our core values into our business. Our core values include, but are not limited to: Precision, Progression, Safety, Honesty, Respect, and Commitment.
- 2) Developing new product lines and further developing existing product lines, growing our infrastructure to increase overall productivity.
- 3) Utilizing the expertise of our team to engineer, manufacture, and continuously collaborate internally and externally to provide the most adept solutions.

In addition to the services we offer, we pride ourselves in providing unparalleled customer service. We believe in providing a personalized and flexible experience to ensure customer satisfaction.

We are a family owned and operated company, and believe in treating everyone, including our team, vendors and customers as the same.



## Material

**Gray Iron** used in the manufacturing of General Foundries' castings shall be made in either Class 30B or Class 35B grade iron (as specified), and shall comply with ASTM-A48 specifications.

**Ductile Iron** used in the manufacturing of General Foundries' castings shall be in compliance with ASTM-A536 specifications.

**Steel** used in the fabrication of General Foundries' products shall be in compliance with ASTM-A36 specifications.

## Technical Info

**Strength:** All castings made in Class 30B iron meet and exceed 30,000 p.s.i., and in Class 35B iron meet and exceed 35,000 p.s.i.

**Tolerances:** As-cast dimensions may vary by  $\pm 1/16$  inch per linear foot

**Machining:** Round traffic bearing manhole castings are machined on both seating contact surfaces of the frame and cover to achieve a full bearing surface. Square and rectangular castings are not machined on bearing surfaces unless specified.

**Custom Sizes:** Our fabrication plant allows us to manufacture custom size parts for all special needs / requirements with very minimal lead-time.

**Weights:** Weights are not listed in this catalog. Please contact your regional sales representative directly should you require product weight(s).



## Load Ratings

**Non-Traffic (Up to 2,500 lbs.)** - Intended for use in areas that are not subject to any vehicular traffic.

**Light Duty (Up to 10,000 lbs.)** - Intended for use in areas that are subject to very light vehicular traffic.

**Heavy Duty (Up to 40,000 lbs.)** - Intended for use in areas that are subject to regular vehicular traffic. Castings within this designation comply and exceed AASHTO H-20/HS-20S specifications, and are proof load tested to 40,000 lbs. as per AASHTO M-306 specifications.

**Extra Heavy Duty (Up to 200,000 lbs.)** – Intended for use in areas that are subject to extra heavy vehicular traffic. Castings within this designation comply with and exceed FAA design loading, and are proof load tested to 200,000 lbs. and beyond.

**Destructive Testing:** Proof load testing is a precaution that we implement in order to determine the load bearing designations of castings. For more information, please reference AASHTO M306 specification. The basic method of testing is as follows:

- 1) A focused load (based on castings load rating) is applied on a 9” x 9” contact area on the center of the casting.
- 2) The cover, grate, and/or frame is then inspected for any cracks or deformations.
- 3) Any cracks or deformations would result in the rejection of that casting.
- 4) This process is repeated for other casting heats.

**Note:** When a new casting pattern is made, multiple samples are tested beyond the required load to ensure the casting receives a correct load rating designation.



## Referenced Specifications

ADA – Americans with Disabilities Act of 1990

### For Gray Iron:

ASTM-A-48 – Standard Specification for Gray Iron Castings

AASHTO-M 105 – Standard Specification for Gray Iron Castings

AASHTO-M 306 – Standard Specification for Drainage Structure Castings

### For Ductile Iron:

ASTM-A-536 – Standard Specification for Ductile Iron Castings

### For Steel:

ASTM-A-36 – Standard Specification for Carbon Structural Steel

ASTM-A-572 – Standard Specification for High Strength Structural Steel



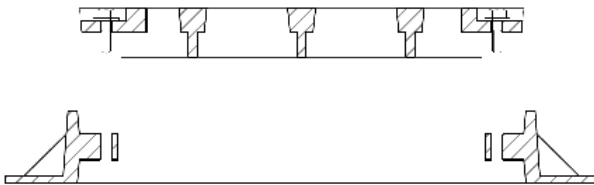
## Bolted, Gasketed, and Watertight Assemblies

**IMPORTANT:** Clear opening dimensions on bolted or watertight castings are smaller by 1/2" than the dimensions listed in this catalog due to the addition of bolting lugs. If a larger clear opening dimension is required, please select a casting with a larger clear opening dimension.

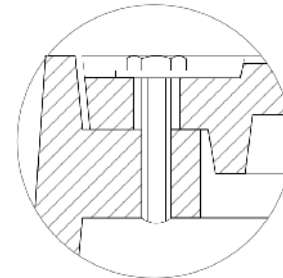
### Bolted Applications

Bolted castings are provided with a standard stainless steel hex head bolt. We offer drill and tap services for customers who would prefer to install their own tamper-proof bolts. The benefits of using bolted covers and grates are preventing theft, vandalism and unwarranted access.

Bolted Frame & Cover (Cross Section)



SS hex head bolt detail



### Gasketed Applications

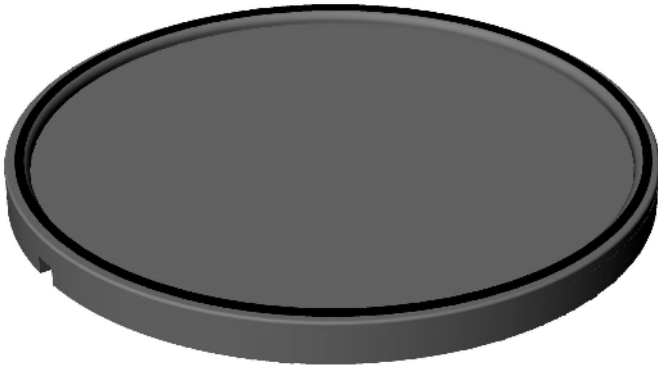




Gasketed covers are provided with either an “O” ring gasket or a t-gasket (please specify).  
The benefits of using gasketed covers are:

- 1) Reducing water infiltration into sanitary collection systems
- 2) Allowing user to access manhole without having to remove bolts

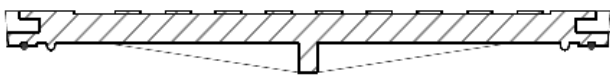
Cover with “O” ring gasket (3D)



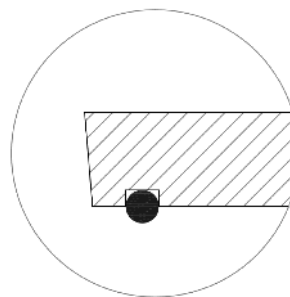
Gasket detail (3D)



Cover with “O” ring gasket (Cross Section)



Gasket detail (Cross Section)



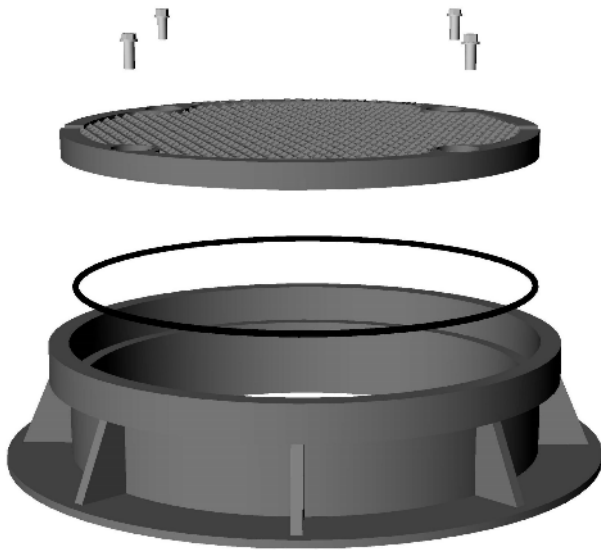
## Water Resistant / Watertight Applications

Watertight castings are provided with bolts and an “O” ring gasket. The benefits of using watertight castings are:

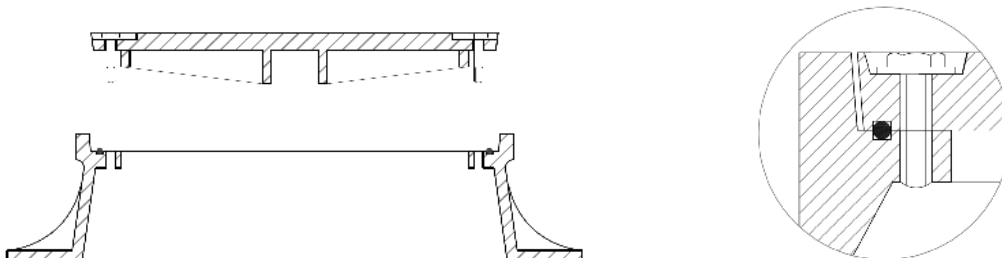
- 1) Preventing water infiltration into sanitary collection systems
- 2) Preventing theft, vandalism and unwarranted access

**Note:** We recommend that bolted, gasketed and watertight castings be periodically inspected in order to ensure ongoing functionality.

### Complete Watertight Assembly



Watertight Frame & Cover (Cross Section) Bolt & Gasket detail (Cross Section)



## CONFIDENTIALITY

Any information exchanged between buyer and seller is strictly confidential, and shall not be disclosed under any circumstances without the written consent of both buyer and seller.

## PAYMENT TERMS

**NET 30 Days:** Upon approval of credit, buyer must pay full value of invoice within (30) days of invoice date.

**Late Fee:** A fee of 2% per month shall be applied to any past due accounts.

**Collection Disclaimer:** In the event that seller must take action for collection of any unpaid balance, buyer agrees to pay all costs of collection, including reasonable attorney's fees.

**Returns:** A 20% restocking fee will be deducted on all merchandise returned by buyer to seller. Merchandise shall not be returned without written permission from seller to buyer. Buyer must prepay return shipping charges. Seller may choose not to refund buyer for goods returned in non-saleable condition. Seller reserves right to refuse acceptance.



## General Foundries Limited Warranty Statement

The terms and conditions of the following warranty must be agreed to by the buyer and the seller in order to conduct any exchange of goods. General Foundries shall be referred to as “seller” and customer shall be referred to as “buyer”. Buyers order shall only be accepted according to the following terms and conditions unless otherwise specified and agreed to with buyers and sellers written consent.

### WARRANTY

General Foundries warrants its products to be free from any defects of material or workmanship for up to (1) year of sale from date of invoice.

This warranty includes replacement of defective product with same or similar product if same product is not immediately available.

This warranty does not extend to any product or accessory that fails due to improper installation, servicing, modification by any party other than seller, or application for which product sold is not intended.

**THIS WARRANTY IS SPECIFIC AND GIVEN IN LIEU OF ANY OTHER WARRANTY, EXPRESS OR IMPLIED, INCLUDING BUT NOT LIMITED TO, IMPLIED WARRANTIES OF MERCHANTABILITY, FITNESS FOR A PARTICULAR PURPOSE OR NON-INFRINGEMENT.**

This warranty gives you specific legal rights, and you may also have other rights, which may vary from state to state.

To initiate a claim, buyer must provide the failed product along with a statement identifying the nature and location of the product failure, and a dated proof of purchase within (14) days of the date of failure to seller.



## Round

### Manhole Frames and Covers

Light Duty	MH1
Heavy Duty	MH2 - MH9
Light Duty, Watertight	MH10
Heavy Duty, Watertight	MH11 - MH14
Heavy Duty, Gasketed	MH13

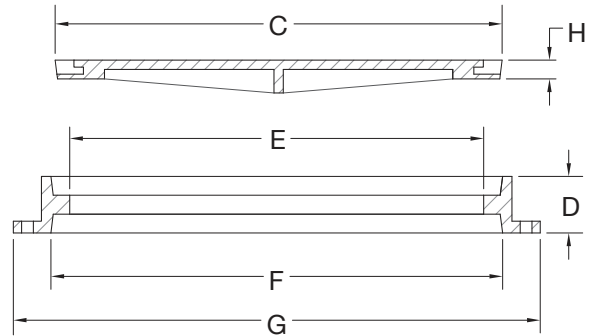
### Manhole Frames and Grates

Light Duty	MH15
Heavy Duty	MH16 - MH22
Heavy Duty, Bolted	MH17
Heavy Duty, Gasketed	MH13

### Manhole Risers

Cast Iron, Fixed	MH23
Steel, Fixed	MH24
Steel, Adjustable	MH25



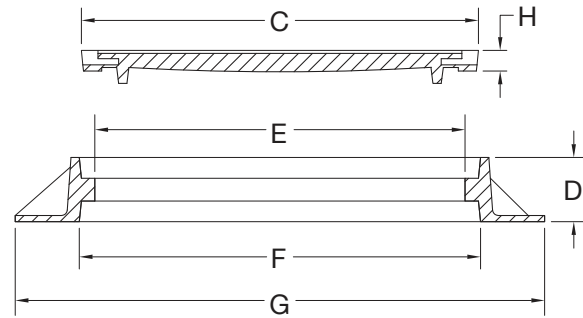
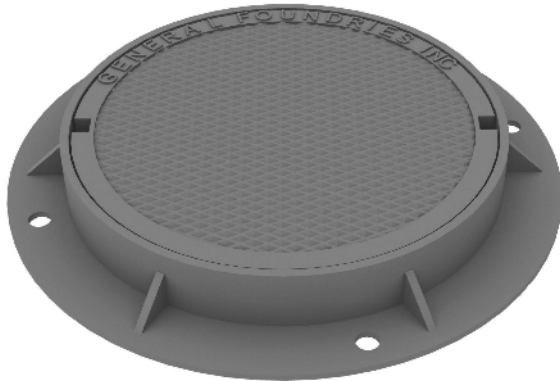


	COVER DIAMETER	FRAME HEIGHT	CLEAR OPENING	FLANGE ID	FLANGE OD	COVER THICKNESS
PRODUCT NO.	C	D	E	F	G	H
11237	12	3	10-1/2	12-1/4	16-1/2	1
11837	18	3	16-1/2	18-1/4	22-1/2	1
12037	20	3	18-1/2	20-1/4	24-1/2	1
12437	23-3/4	3	22	24	28	1
13037	29-3/4	3	27-3/4	30	36	1

**NOTES:**

- Dimensions are approximate & in inches
- Gray Iron, Class 30B
- Conforms to ASTM A48 / A48M-03 specifications
  - \* Please specify if required in Class 35B or Ductile Iron
- Markings: Plain, Drain, Septic, Sewer
  - \* Custom markings / logos available upon request





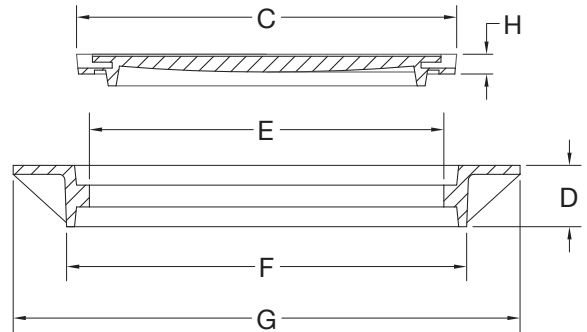
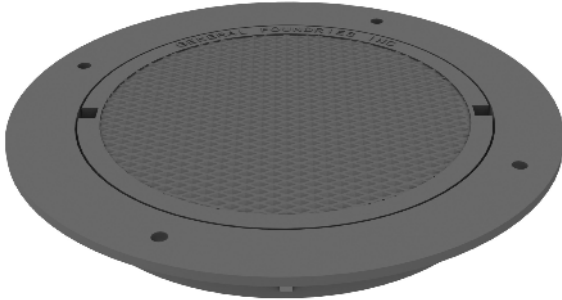
PRODUCT NO.	C COVER DIAMETER	D FRAME HEIGHT	E CLEAR OPENING	F FLANGE ID	G FLANGE OD	H COVER THICKNESS
11861	17-7/8	6	16-1/2	18-1/4	26	1
12061	20	6	18-1/2	20-3/8	28	1-1/4
12441	24	4	22-3/8	24-1/4	32	1-3/8
12461	24	6	22-3/8	24	34	1-3/8
12471	24	7	22-1/2	24-7/16	34	1-3/8
12481	24	8	22-3/8	24-5/8	34	1-3/8
12641	25-3/4	4	24	26	34	1-3/8
12661	25-3/4	6	24	26-5/8	34	1-3/8
12681	25-3/4	8	24	27	34-1/2	1-3/8
12640	26	4	24-1/4	26-1/2	34-1/4	1-1/8
12660	26	6	24-1/4	26-1/2	34-1/4	1-1/8
12680	26	8-1/8	24-1/4	26-1/2	34-1/4	1-1/8
12741	26-3/4	4	24	27	39	1-1/2
12782	26-3/4	8	24	27	39	1-1/2
13251	31-5/8	4	30	32-1/2	39	1-3/4
13261	31-5/8	6	30	32-1/2	39	1-3/4
13281	31-5/8	8	30	32-1/2	39	1-3/4
13241	32	4	30-1/4	32 1/4	38	1-1/2
13271	32	6-1/2	30	32	43	1-1/2
13641	37-3/4	4	36	38	48	1-1/2
13661	37-3/4	6	36	38	48	1-1/2
13681	37-3/4	8	36	38	48	1-1/2

**NOTES:**

- Dimensions are approximate & in inches
- Gray Iron, Class 30B
- Conforms to ASTM A48 / A48M-03 specifications
  - \* Please specify if required in Class 35B or Ductile Iron
- Markings: Plain, Communication, Drain, Electric, Sanitary Sewer, Sewer, Storm, Storm Drain, Storm Sewer, Telephone, Water
  - \* Custom markings / logos available upon request



Heavy Duty, Reversible Type Frame, Solid Cover



PRODUCT NO.	C COVER DIAMETER	D FRAME HEIGHT	E CLEAR OPENING	F FLANGE ID	G FLANGE OD	H COVER THICKNESS
12441R	24	4	22-3/8	24-1/4	32	1-3/8
12641R	25-3/4	4	24	26	34	1-3/8
13241R	32	4	30-1/4	32	38	1-1/2
13641R	37-3/4	4	36	38	48	1-1/2

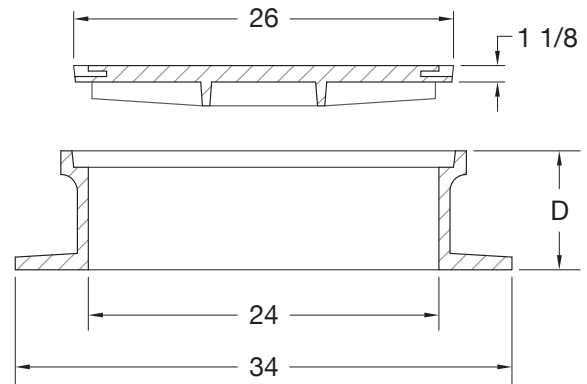
**NOTES:**

- Dimensions are approximate & in inches
- Gray Iron, Class 30B
- Conforms to ASTM A48 / A48M-03 specifications
  - \* Please specify if required in Class 35B or Ductile Iron
- Markings: Plain, Communication, Drain, Electric, Sanitary Sewer, Sewer, Storm, Storm Drain, Storm Sewer, Telephone, Water
  - \* Custom markings / logos available upon request





Heavy Duty, Built Up Type Frame, Solid Cover



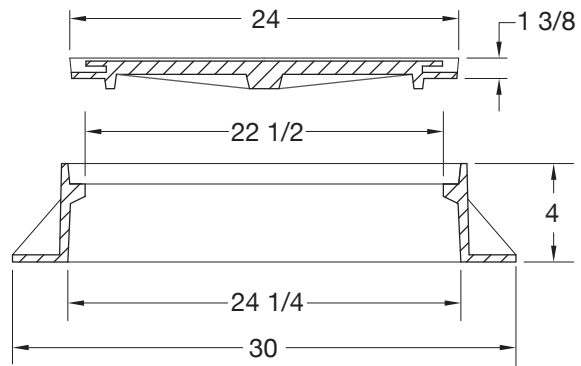
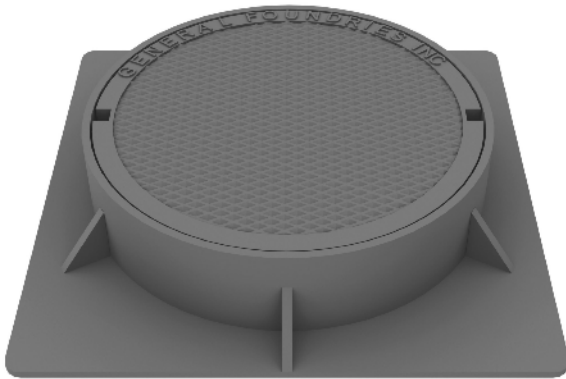
NOTES:

- Dimensions are approximate & in inches
- Gray Iron, Class 30B
- Conforms to ASTM A48 / A48M-03 specifications
  - \* Please specify if required in Class 35B or Ductile Iron
- Markings: Plain, Drain, Electric, Sanitary Sewer, Sewer, Stream, Telephone, Water
  - \* Custom markings / logos available upon request

FRAME  
HEIGHT

PRODUCT NO.	D
12645	4
12665	6
12685	8-1/8

Heavy Duty, Built Up Type Frame, Solid Cover

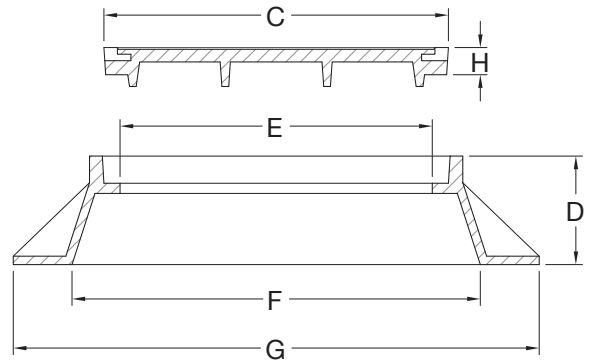


NOTES:

- Dimensions are approximate & in inches
- Gray Iron, Class 30B
- Conforms to ASTM A48 / A48M-03 specifications
  - \* Please specify if required in Class 35B or Ductile Iron
- Markings: Plain, Drain, Electric, Sanitary Sewer, Sewer, Stream, Telephone, Water
  - \* Custom markings / logos available upon request

PRODUCT NO.
12448





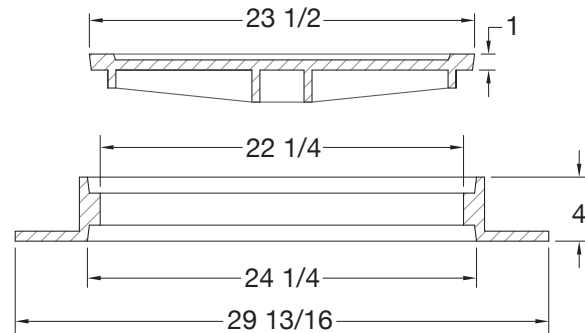
	COVER DIAMETER	FRAME HEIGHT	CLEAR OPENING	FLANGE ID	FLANGE OD	COVER HEIGHT
PRODUCT NO.	C	D	E	F	G	H
12583	25-3/8	8	23	31	39	2
12683	25-3/4	8	24	32	39	1-3/8

**NOTES:**

- Dimensions are approximate & in inches
- Gray Iron, Class 30B
- Conforms to ASTM A48 / A48M-03 specifications
  - \* Please specify if required in Class 35B or Ductile Iron
- Markings: Plain, Sanitary Sewer, Sewer, Storm, Storm Drain, Storm Sewer
  - \* Custom markings / logos available upon request



Heavy Duty, Built Up Type Frame, Solid Cover



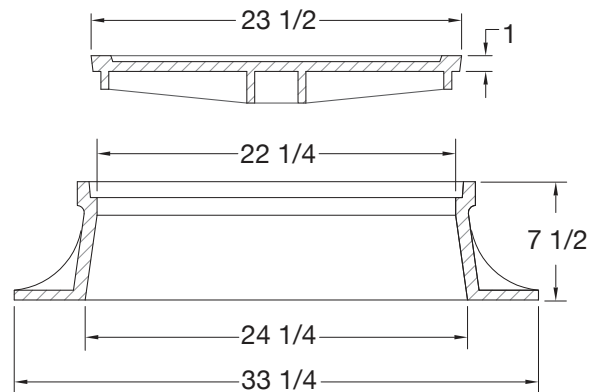
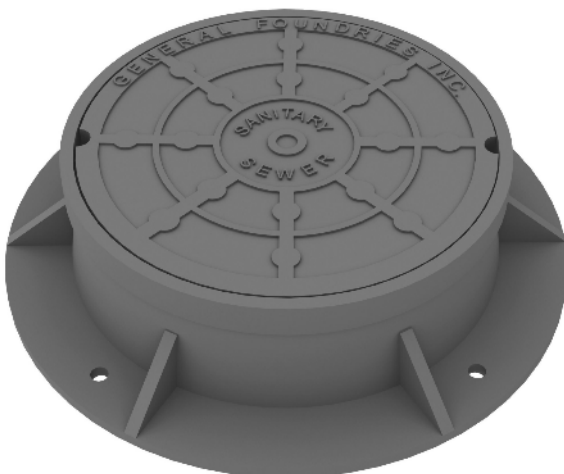
NOTES:

- Dimensions are approximate & in inches
- Gray Iron, Class 30B
- Conforms to ASTM A48 / A48M-03 specifications
  - \* Please specify if required in Class 35B or Ductile Iron
- Markings: Sanitary Sewer, Storm Sewer, Water
  - \* Custom markings / logos available upon request

PRODUCT NO.

12341

Heavy Duty, Built Up Type Frame, Solid Cover



NOTES:

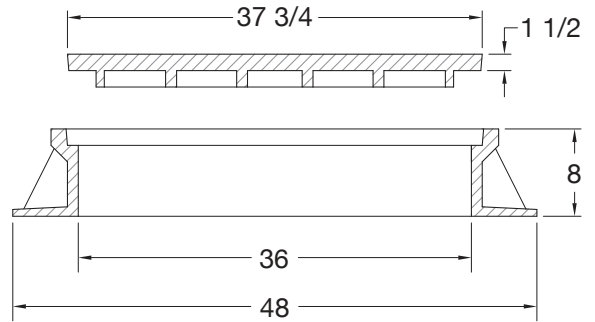
- Dimensions are approximate & in inches
- Gray Iron, Class 30B
- Conforms to ASTM A48 / A48M-03 specifications
  - \* Please specify if required in Class 35B or Ductile Iron
- Markings: Sanitary Sewer, Storm Sewer, Water
  - \* Custom markings / logos available upon request
- Cover also available with 1, 2, or 4 vent holes

PRODUCT NO.

12371



Heavy Duty, Built Up Type Frame, Solid Cover

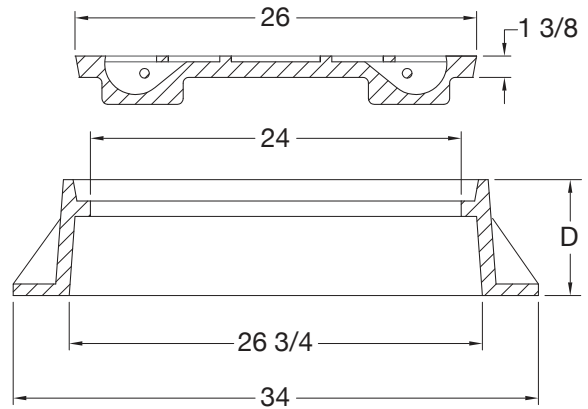


**NOTES:**

- Dimensions are approximate & in inches
- Gray Iron, Class 30B
- Conforms to ASTM A48 / A48M-03 specifications
  - \* Please specify if required in Class 35B or Ductile Iron
- Markings: Plain, Communication, Drain, Electric, Sewer, Telephone
  - \* Custom markings / logos available upon request

<b>PRODUCT NO.</b>
<b>13687</b>

Heavy Duty, Built Up Type Frame, Solid Cover



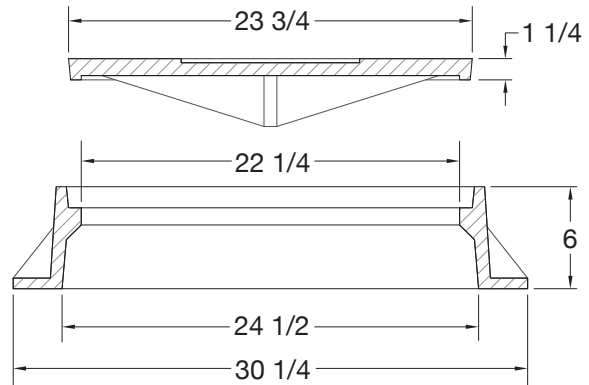
**NOTES:**

- Dimensions are approximate & in inches
- Gray Iron, Class 30B
- Conforms to ASTM A48 / A48M-03 specifications
  - \* Please specify if required in Class 35B or Ductile Iron
- Markings: Sanitary Sewer
  - \* Custom markings / logos available upon request
- Cover also available with 4 vent holes

<b>PRODUCT NO.</b>	<b>FRAME HEIGHT D</b>
<b>12643</b>	4
<b>12673</b>	7-1/2



Heavy Duty, Built Up Type Frame, Solid Cover



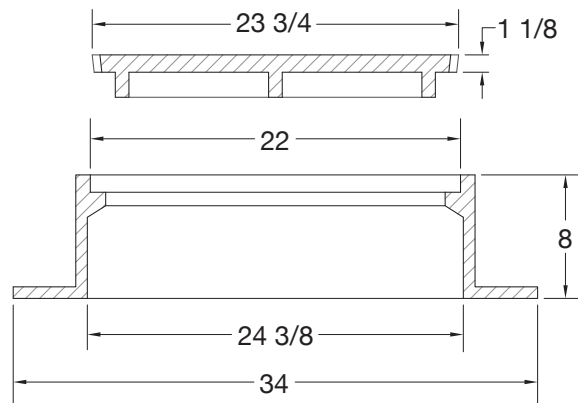
NOTES:

- Dimensions are approximate & in inches
- Gray Iron, Class 30B
- Conforms to ASTM A48 / A48M-03 specifications
  - \* Please specify if required in Class 35B or Ductile Iron
- Markings: Grease, Sanitary Sewer, Sewer, Storm, Water.
  - \* Custom markings / logos available upon request

PRODUCT NO.

12361

Heavy Duty, Built Up Type Frame, Solid Cover



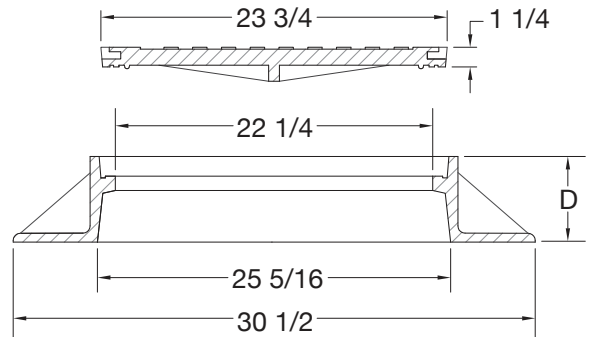
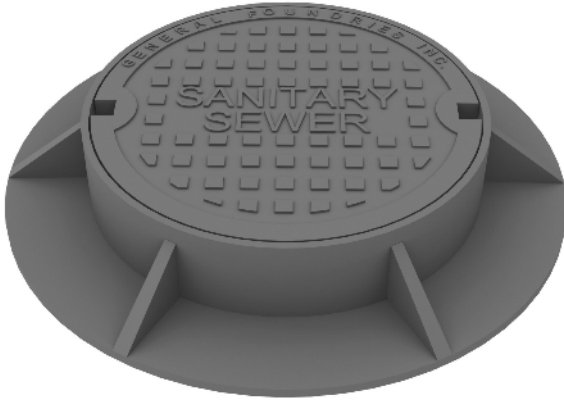
NOTES:

- Dimensions are approximate & in inches
- Gray Iron, Class 30B
- Conforms to ASTM A48 / A48M-03 specifications
  - \* Please specify if required in Class 35B or Ductile Iron
- Markings: Sewer
  - \* Custom markings / logos available upon request

PRODUCT NO.

12381

Heavy Duty, Built Up Type Frame, Solid Cover



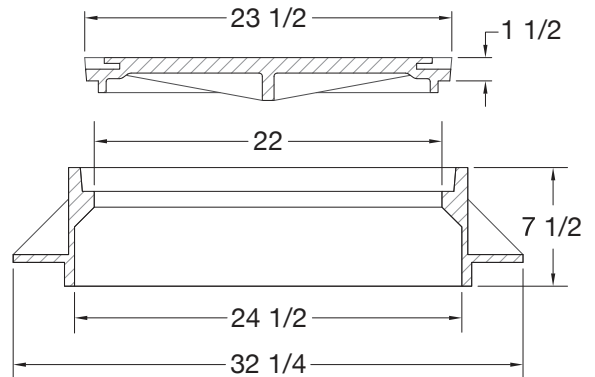
**NOTES:**

- Dimensions are approximate & in inches
- Gray Iron, Class 30B
- Conforms to ASTM A48 / A48M-03 specifications
  - \* Please specify if required in Class 35B or Ductile Iron
- Markings: Sanitary Sewer, Storm, Water
  - \* Custom markings / logos available upon request

FRAME  
HEIGHT

PRODUCT NO.	D
12421	2-1/2
12369	6

Heavy Duty, Built Up Type Frame, Solid Cover

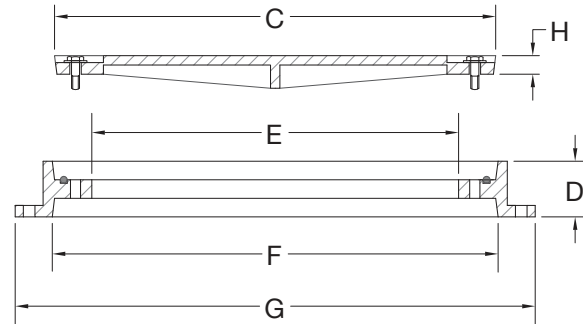
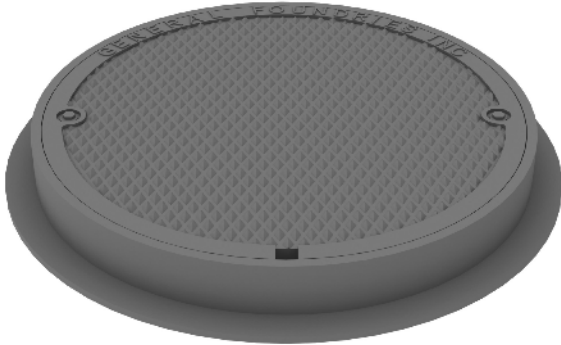


**NOTES:**

- Dimensions are approximate & in inches
- Gray Iron, Class 30B
- Conforms to ASTM A48 / A48M-03 specifications
  - \* Please specify if required in Class 35B or Ductile Iron
- Markings: Sanitary Sewer, Sewer
  - \* Custom markings / logos available upon request

PRODUCT NO.
12373

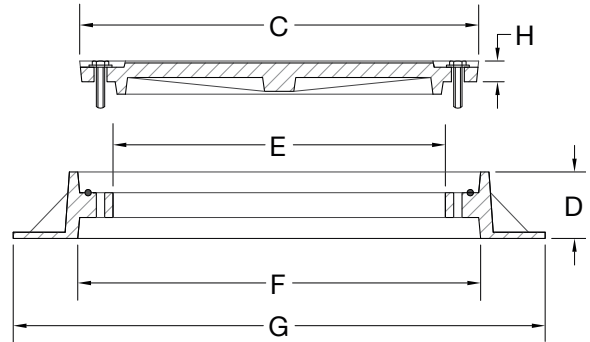
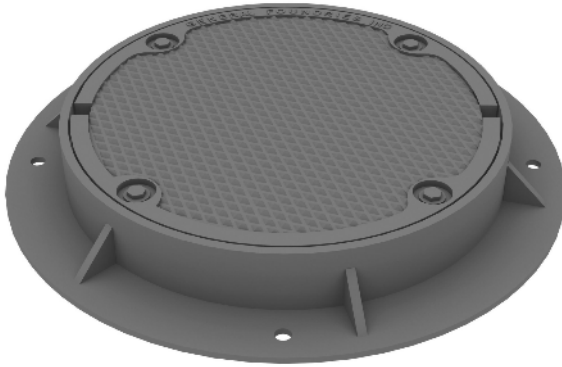




	COVER DIAMETER	FRAME HEIGHT	CLEAR OPENING	FLANGE ID	FLANGE OD	COVER THICKNESS
PRODUCT NO.	C	D	E	F	G	H
11839	18	3	16-1/2	18-1/4	22-1/2	1
12439	23-3/4	3	22	24	28	1
13039	29-3/4	3	27-3/4	30	36	1

**NOTES:**

- Dimensions are approximate & in inches
- Gray Iron, Class 30B
- Conforms to ASTM A48 / A48M-03 specifications
  - \* Please specify if required in Class 35B or Ductile Iron
- Markings: Plain, Drain, Septic, Sewer
  - \* Custom markings / logos available upon request



PRODUCT NO.	COVER DIAMETER C	FRAME HEIGHT D	CLEAR OPENING E	FLANGE ID F	FLANGE OD G	COVER THICKNESS H
12446	24	4	22-3/8	24-1/4	32	1-3/8
12466	24	6	22-3/8	24	34	1-3/8
12476	24	7	22-1/2	24-7/16	34	1-3/8
12486	24	8	22-3/8	24-5/8	34	1-3/8
12686	25-3/4	8	24	27	34-1/2	1-3/8
12649	26	4	21	26-1/2	34-1/4	1-1/8
12669	26	6	21-1/2	26-1/2	34-1/4	1-1/8
12689	26	8-1/8	21-1/2	26-1/2	34-1/4	1-1/8
13256	31-5/8	4	30	32-1/2	39	1-3/4
13266	31-5/8	6	30	32-1/2	39	1-3/4
13286	31-5/8	8	30	32-1/2	39	1-3/4
13246	32	4	30-1/4	32-1/4	38	1-1/2
13276	32	6-1/2	30	32	43	1-1/2
13646	37-3/4	4	33-1/2	38	48	1-1/2
13666	37-3/4	6	33-1/2	38	48	1-1/2
13686	37-3/4	8	33-1/2	38	48	1-1/2

**NOTES:**

- Dimensions are approximate & in inches
- Gray Iron, Class 30B
- Conforms to ASTM A48 / A48M-03 specifications
  - \* Please specify if required in Class 35B or Ductile Iron
- Markings: Plain, Drain, Septic, Sewer
  - \* Custom markings / logos available upon request

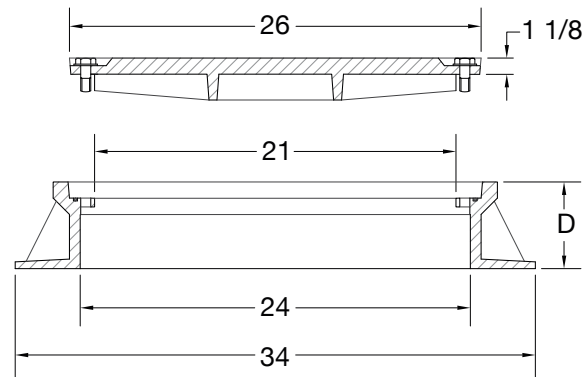




## Manhole Frames and Covers (Watertight)

### Heavy Duty, Built Up Type Frame, Solid Cover

GENERAL  
FOUNDRIES



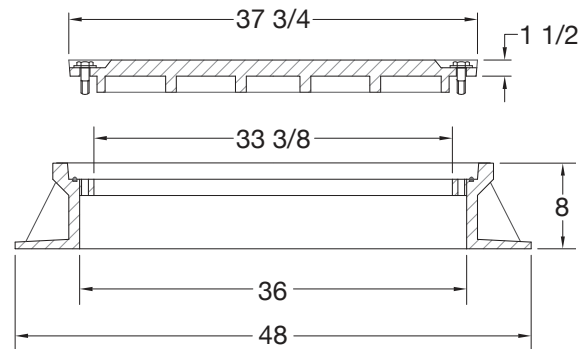
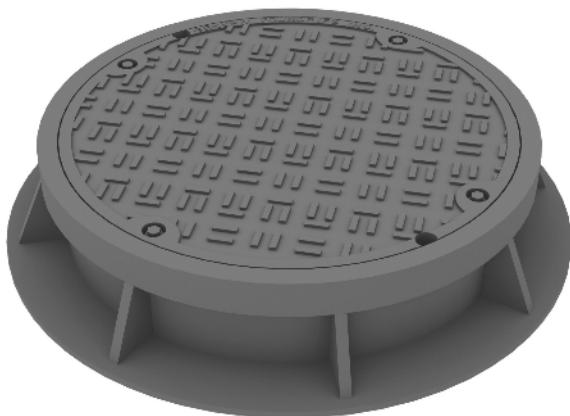
#### NOTES:

- Dimensions are approximate & in inches
- Gray Iron, Class 30B
- Conforms to ASTM A48 / A48M-03 specifications
  - \* Please specify if required in Class 35B or Ductile Iron
- Markings: Plain, Drain, Electric, Sanitary Sewer, Sewer, Stream, Telephone, Water
  - \* Custom markings / logos available upon request

FRAME  
HEIGHT

PRODUCT NO.	D
12649	4
12669	6
12689	8-1/8

### Heavy Duty, Built Up Type Frame, Solid Cover



#### NOTES:

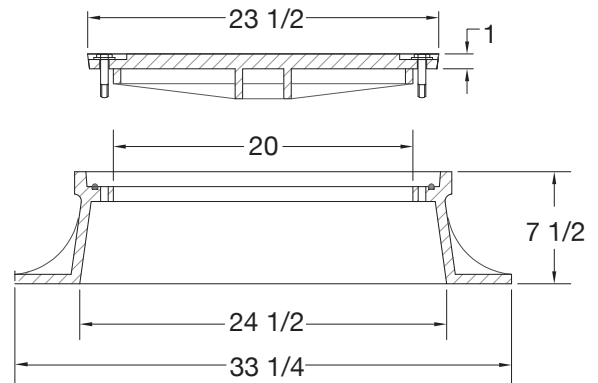
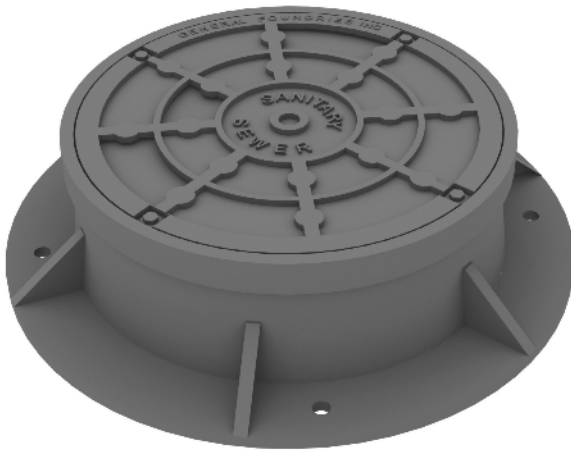
- Dimensions are approximate & in inches
- Gray Iron, Class 30B
- Conforms to ASTM A48 / A48M-03 specifications
  - \* Please specify if required in Class 35B or Ductile Iron
- Markings: Plain, Drain, Electric, Sanitary Sewer, Sewer, Stream, Telephone, Water
  - \* Custom markings / logos available upon request

PRODUCT NO.

13689



### Heavy Duty, Built Up Type Frame, Solid Cover



**NOTES:**

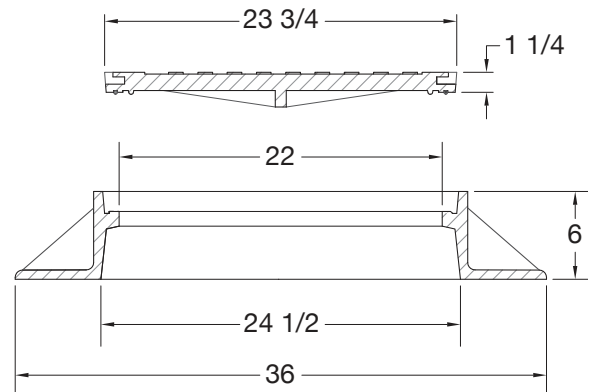
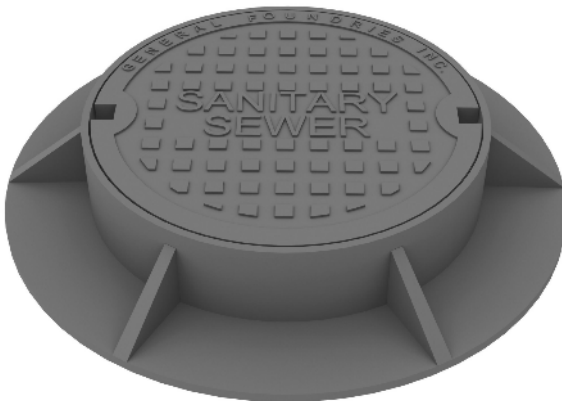
- Dimensions are approximate & in inches
- Gray Iron, Class 30B
- Conforms to ASTM A48 / A48M-03 specifications
  - \* Please specify if required in Class 35B or Ductile Iron
- Markings: Sanitary Sewer
  - \* Custom markings / logos available upon request

**PRODUCT NO.**

**12376**

### Gasketed

### Heavy Duty, Built Up Type Frame, Solid Cover



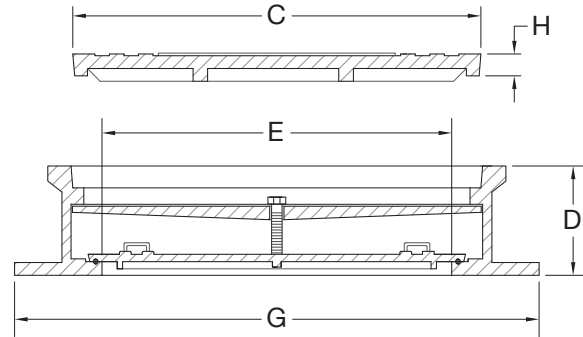
**NOTES:**

- Dimensions are approximate & in inches
- Gray Iron, Class 30B
- Conforms to ASTM A48 / A48M-03 specifications
  - \* Please specify if required in Class 35B or Ductile Iron
- Markings: Grease, Sanitary Sewer
  - \* Custom markings / logos available upon request

**PRODUCT NO.**

**12369**



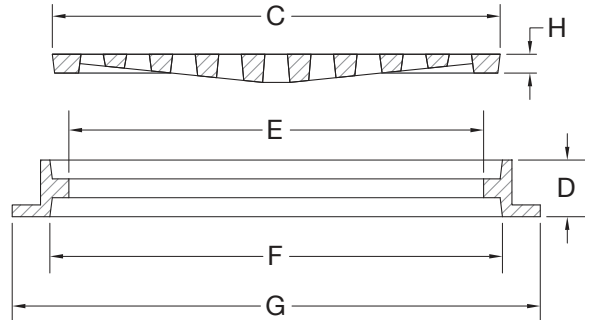


	COVER DIAMETER	FRAME HEIGHT	CLEAR OPENING	FLANGE OD	COVER THICKNESS
PRODUCT NO.	C	D	E	G	H
12688	26	8	22	34	1-1/2
12888	28	8	24	38	1-3/8
13288	32	8	30	41	1-3/8

**NOTES:**

- Dimensions are approximate & in inches
- Gray Iron, Class 30B
- Conforms to ASTM A48 / A48M-03 specifications
  - \* Please specify if required in Class 35B or Ductile Iron
- Markings: Communication, Electric, Sewer, Telephone
  - \* Custom markings / logos available upon request

Light Duty, Reversible Type Frame, Slotted Grate



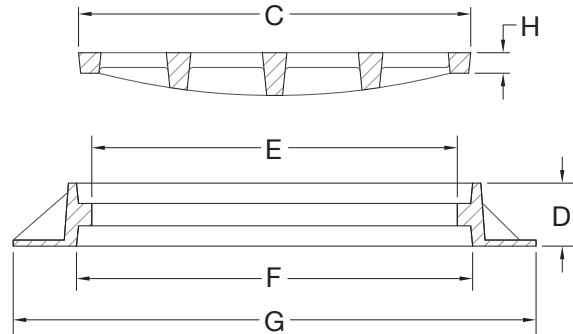
	GRATE DIAMETER	FRAME HEIGHT	CLEAR OPENING	FLANGE ID	FLANGE OD	GRATE THICKNESS
PRODUCT NO.	C	D	E	F	G	H
11238	12	3	10-1/2	12-1/4	16-1/2	1
11838	18	3	16-1/2	18-1/4	22-1/2	1
12038	20	3	18-1/2	20-1/4	24-1/2	1
12438	23-3/4	3	22	24	28	1

**NOTES:**

- Dimensions are approximate & in inches
- Gray Iron, Class 30B
- Conforms to ASTM A48 / A48M-03 specifications
- \* Please specify if required in Class 35B or Ductile Iron



Heavy Duty, Built Up Type Frame, Slotted Grate

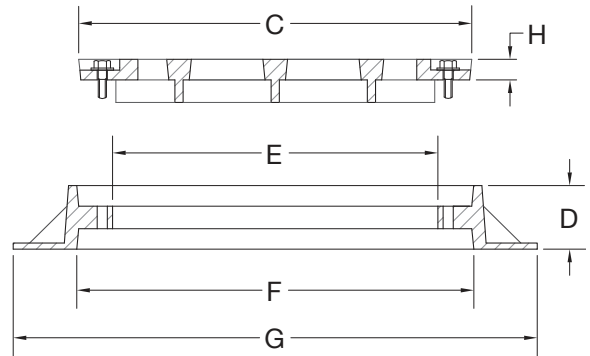


	GRATE DIAMETER	FRAME HEIGHT	CLEAR OPENING	FLANGE ID	FLANGE OD	GRATE THICKNESS
PRODUCT NO.	C	D	E	F	G	H
11862	17-7/8	6	16-1/2	18-1/4	26	1
12442	24	4	22-3/8	24-1/4	32	1-3/8
12462	24	6	22-3/8	24	34	1-3/8
12472	24	7	22-1/2	24-7/16	34	1-3/8
12482	24	8	22-3/8	24-5/8	34	1-3/8
12642	25-3/4	4	24	26-5/8	34	1-3/8
12662	25-3/4	6	24	26-5/8	34	1-3/8
12682	25-3/4	8	24	27	34-1/2	1-3/8
13252	31-5/8	4	30	32-1/2	39	1-3/4
13262	31-5/8	6	30	32-1/2	39	1-3/4
13282	31-5/8	8	30	32-1/2	39	1-3/4
13242	32	4	30-1/4	32-1/4	38	1-1/2
13272	32	6-1/2	30	32	43	1-1/2
13642	37-3/4	4	36	38	48	1-1/2
13662	37-3/4	6	36	38	48	1-1/2
13682	37-3/4	8	36	36	48	1-1/2

NOTES:

- Dimensions are approximate & in inches
- Gray Iron, Class 30B
- Conforms to ASTM A48 / A48M-03 specifications
- \* Please specify if required in Class 35B or Ductile Iron





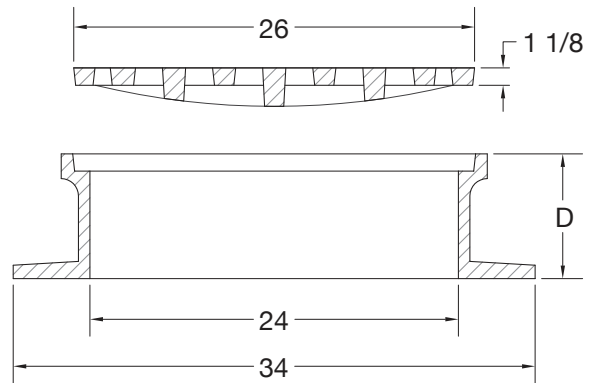
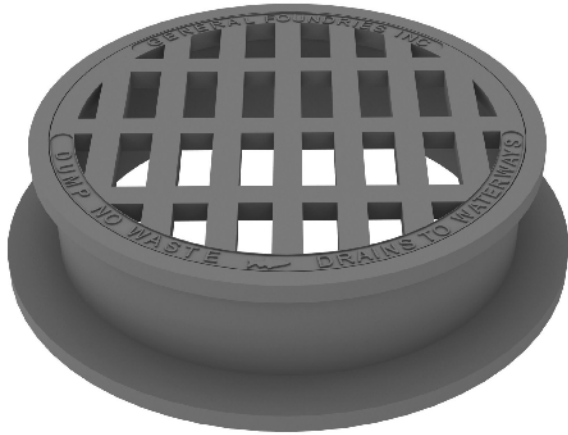
	GRATE DIAMETER	FRAME HEIGHT	CLEAR OPENING	FLANGE ID	FLANGE OD	GRATE THICKNESS
PRODUCT NO.	C	D	E	F	G	H
12447	24	4	22-3/8	24-1/4	32	1-3/8
12467	24	6	22-3/8	24	34	1-3/8
12487	24	8	22-3/8	25-5/8	34	1-3/8

#### NOTES:

- Dimensions are approximate & in inches
- Gray Iron, Class 30B
- Conforms to ASTM A48 / A48M-03 specifications
- \* Please specify if required in Class 35B or Ductile Iron



Heavy Duty, Built Up Type Frame, Slotted Grate



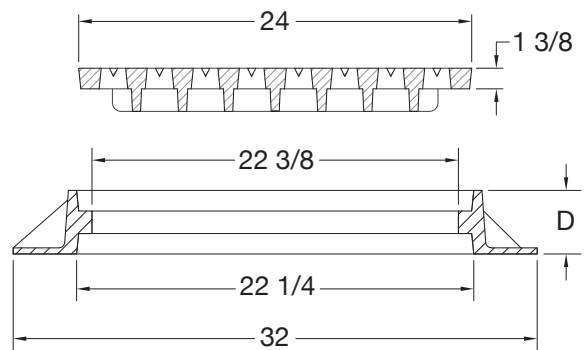
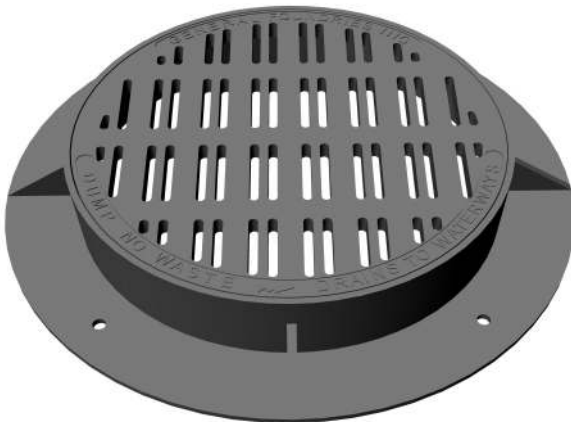
NOTES:

- Dimensions are approximate & in inches
- Gray Iron, Class 30B
- Conforms to ASTM A48 / A48M-03 specifications
- \* Please specify if required in Class 35B or Ductile Iron

FRAME  
HEIGHT

PRODUCT NO.	D
12644	4
12664	6
12684	8-1/8

Heavy Duty, Built Up Type Frame, ADA Compliant Grate



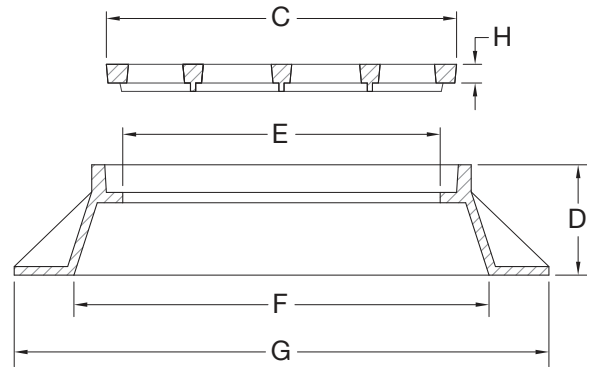
NOTES:

- Dimensions are approximate & in inches
- Gray Iron, Class 30B
- Conforms to ASTM A48 / A48M-03 specifications
- \* Please specify if required in Class 35B or Ductile Iron

FRAME  
HEIGHT

PRODUCT NO.	D
12449	4
12469	6
12489	8

Heavy Duty, Built Up Type Frame, Slotted Grate



	COVER DIAMETER	FRAME HEIGHT	CLEAR OPENING	FLANGE ID	FLANGE OD	COVER HEIGHT
PRODUCT NO.	C	D	E	F	G	H
12580	25-3/8	8	23	31	39	2
12680	25-3/4	8	24	32	39	1-3/8

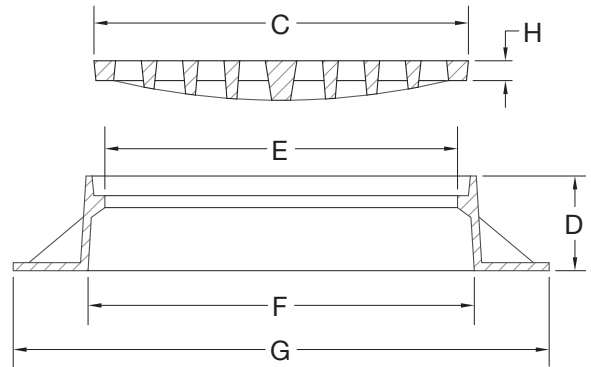
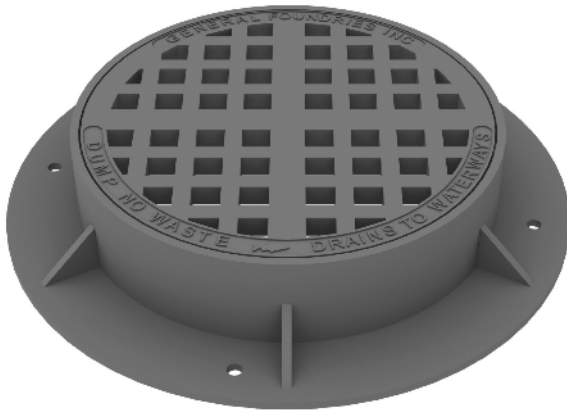
**NOTES:**

- Dimensions are approximate & in inches
- Gray Iron, Class 30B
- Conforms to ASTM A48 / A48M-03 specifications
  - \* Please specify if required in Class 35B or Ductile Iron
- Markings: Plain, Sanitary Sewer, Sewer, Storm, Storm Drain, Storm Sewer
  - \* Custom markings / logos available upon request





Heavy Duty, Built Up Type Frame, Square Hole Grate



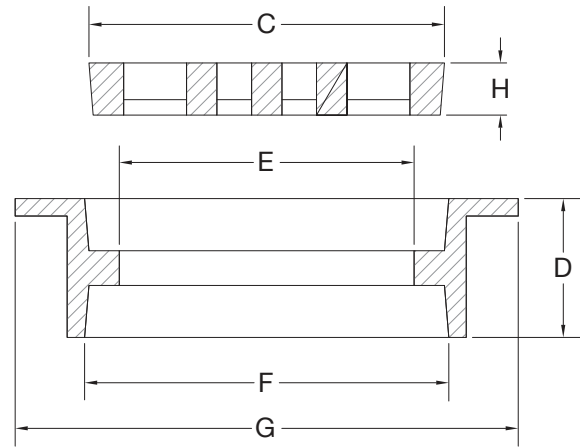
	GRATE DIAMETER	FRAME HEIGHT	CLEAR OPENING	FLANGE ID	FLANGE OD	GRATE THICKNESS
PRODUCT NO.	C	D	E	F	G	H
12444	24	4	22-3/8	24-1/4	32	1-3/8
12464	24	6	22-3/8	24	34	1-3/8
12474	24	7	22-1/2	24-7/16	34	1-3/8
12484	24	8	22-3/8	24-5/8	34	1-3/8

**NOTES:**

- Dimensions are approximate & in inches
- Gray Iron, Class 30B
- Conforms to ASTM A48 / A48M-03 specifications
- \* Please specify if required in Class 35B or Ductile Iron



Heavy Duty, Reversible Type Frame, ADA Compliant Grate



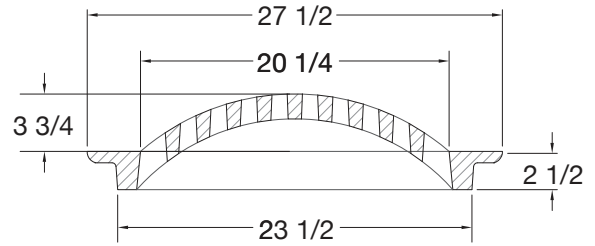
	GRATE DIAMETER	FRAME HEIGHT	CLEAR OPENING	FLANGE ID	FLANGE OD	GRATE THICKNESS	
PRODUCT NO.	C	D	E	F	G	H	PIPE SIZE
11248	10-1/4	4	8-1/2	11-1/2	14-1/2	1-1/2	12
11548	13-1/4	4	11-1/2	14-1/2	17-1/2	1-1/2	15
11848	16-1/4	4	14-1/2	17-1/2	20-1/2	1-1/2	18

NOTES:

- Dimensions are approximate & in inches
- Gray Iron, Class 30B
- Conforms to ASTM A48 / A48M-03 specifications
- \* Please specify if required in Class 35B or Ductile Iron



## Beehive Grate For 24" Corrugated Pipe



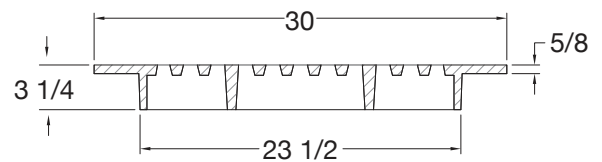
**NOTES:**

- Dimensions are approximate & in inches
- Gray Iron, Class 30B
- Conforms to ASTM A48 / A48M-03 specifications
- \* Please specify if required in Class 35B or Ductile Iron

**PRODUCT NO.**

**12707**

## Light Duty, Flat Grate For 24" Corrugated Pipe



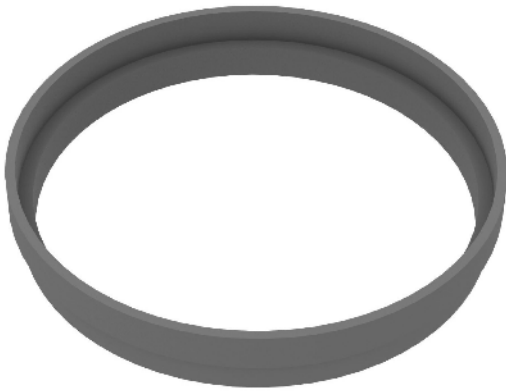
**NOTES:**

- Dimensions are approximate & in inches
- Gray Iron, Class 30B
- Conforms to ASTM A48 / A48M-03 specifications
- \* Please specify if required in Class 35B or Ductile Iron

**PRODUCT NO.**

**13007**



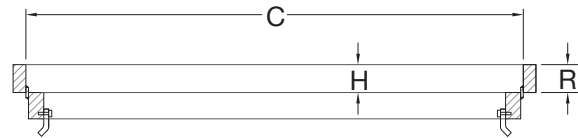


PRODUCT NO.	COVER DIAMETER C	COVER THICKNESS H	COVER RAISE R	SUITABLE FOR PRODUCT NO.
11615	16-1/4	7/8	1-1/2	11671
12321	23-3/4	1-1/2	2	12373
12312	23-3/4	1	1-1/4	12341, 12371, 12372
12315	23-3/4	1	1-1/2	
12317	23-3/4	1	1-3/4	
12320	23-3/4	1	2	
12325	23-3/4	1	2-1/2	
12330	23-3/4	1	3	
12340	23-3/4	1	4	
12360	23-3/4	1	6	
12215	24	1-1/4	1-1/2	12361
12322	24	1-1/4	2	
12230	24	1-1/4	3	
12240	24	1-1/4	4	
12260	24	1-1/4	6	
12415	24-1/4	1-3/8	1-1/2	12441, 12461, 12471, 12481, 12442, 12462, 12472, 12482
12420	24-1/4	1-3/8	2	
12525	25-5/8	2	2-1/2	12583, 12580
12615	26	1-3/8	1-1/2	12641, 12643, 12661, 12681, 12642, 12662, 12673, 12682, 12683, 12684, 12688
12620	26	1-3/8	2	
12616	26-1/4	1-1/8	1-1/2	12645, 12665, 12685, 12644, 12664, 12684
12621	26-1/4	1-1/8	2	
12720	27	1-1/2	2	12741, 12781, 12782
13220	31-7/8	1-3/4	2	13251, 13261, 13281, 13252, 13262, 13282

**NOTES:**

- Dimensions are approximate & in inches
- Gray Iron, Class 30B
- Conforms to ASTM A48 / A48M-03 specifications
- \* Please specify if required in Class 35B or Ductile Iron

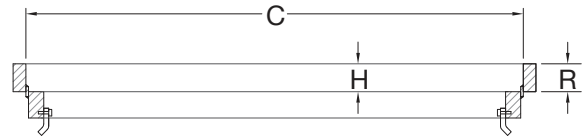




	COVER DIAMETER	COVER THICKNESS	COVER RAISE	
PRODUCT NO.	C	H	R	SUITABLE FOR PRODUCT NO.
SFR2410	24-1/4	1-3/8	1	12441, 12461, 12471, 12481, 12442, 12462, 12472, 12482, 12448
SFR2415	24-1/4	1-3/8	1-1/2	
SFR2420	24-1/4	1-3/8	2	
SFR2425	24-1/4	1-3/8	2-1/2	
SFR2430	24-1/4	1-3/8	3	
SFR2510	25-5/8	2	1	12583, 12580
SFR2515	25-5/8	2	1-1/2	
SFR2520	25-5/8	2	2	
SFR2611	26-1/4	1-1/8	1	12645, 12665, 12685, 12644, 12664, 12694
SFR2616	26-1/4	1-1/8	1-1/2	
SFR2621	26-1/4	1-1/8	2	
SFR2626	26-1/4	1-1/8	2-1/2	
SFR2631	26-1/4	1-1/8	3	
SFR2720	27	1-1/2	2	12741, 12781, 12782
SFR3210	31-7/8	1-3/4	1	13251, 13261, 13281, 13252, 13262, 13282
SFR3215	31-7/8	1-3/4	1-1/2	
SFR3220	31-7/8	1-3/4	2	

NOTES:

- Dimensions are approximate & in inches
- Steel
- Conforms to ASTM A36 specifications



	COVER DIAMETER	COVER THICKNESS	COVER RAISE	
PRODUCT NO.	C	H	R	SUITABLE FOR PRODUCT NO.
SAR2410	24 to 24-1/2	1-3/8	1	12441, 12461, 12471, 12481, 12442, 12462, 12472, 12482, 12448
SAR2415	24 to 24-1/2	1-3/8	1-1/2	
SAR2420	24 to 24-1/2	1-3/8	2	
SAR2611	26 to 26-1/2	1-1/8	1	12645, 12665, 12685, 12644, 12664, 12684
SAR2616	26 to 26-1/2	1-1/8	1-1/2	
SAR2621	26 to 26-1/2	1-1/8	2	
SAR3210	31-5/8 to 32-1/8	1-3/4	1	13251, 13261, 13281, 13252, 13262, 13282
SAR3215	31-5/8 to 32-1/8	1-3/4	1-1/2	
SAR3220	31-5/8 to 32-1/8	1-3/4	2	
SAR3209	32 to 32-1/2	1-1/2	1	13241, 13242, 13271, 13272
SAR3214	32 to 32-1/2	1-1/2	1-1/2	
SAR3219	32 to 32-1/2	1-1/2	2	

**NOTES:**

- Dimensions are approximate & in inches
- Steel
- Conforms to ASTM A36 specifications



## Square / Rectangular

### Frames and Covers

Light Duty	CB1
Heavy Duty	CB2 - CB5
Bolted, Heavy Duty	CB3
Heavy Duty, Watertight	CB5

### Catch Basin Frames and Grates

Light Duty	CB6
Heavy Duty	CB6 - CB22

### Inlet Frame and Grates

Flush Inlets	CB23 - CB24
Curb Inlets	CB25 - CB29

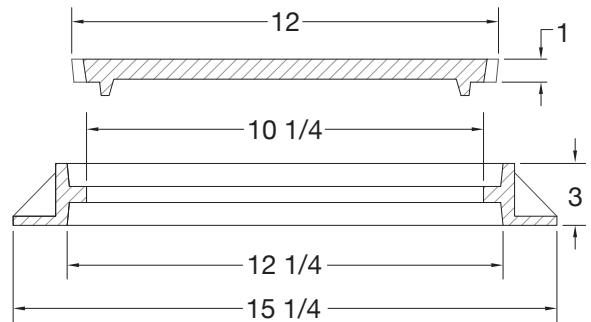
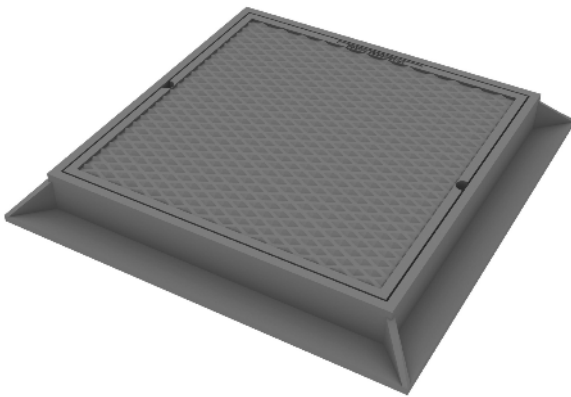
Hoods and Traps	CB33 - CB36
-----------------	-------------

Trench Frames and Grates	CB37 - CB38
--------------------------	-------------

Scuppers	CB39 - CB41
----------	-------------



Light Duty, Reversible Type Frame, Solid Cover

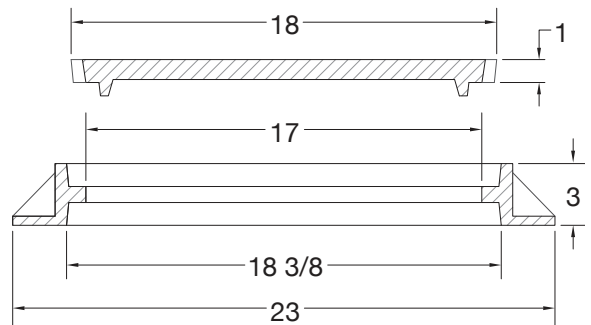
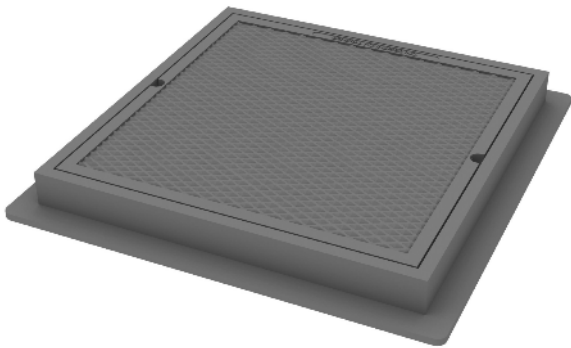


**NOTES:**

- Dimensions are approximate & in inches
- Gray Iron, Class 30B
- Conforms to ASTM A48 / A48M-03 specifications
  - \* Please specify if required in Class 35B or Ductile Iron
- Markings: Plain, Electric, Signal, Traffic
  - \* Custom markings / logos available upon request

<b>PRODUCT NO.</b>
<b>21230</b>

Light Duty, Reversible Type Frame, Solid Cover



**NOTES:**

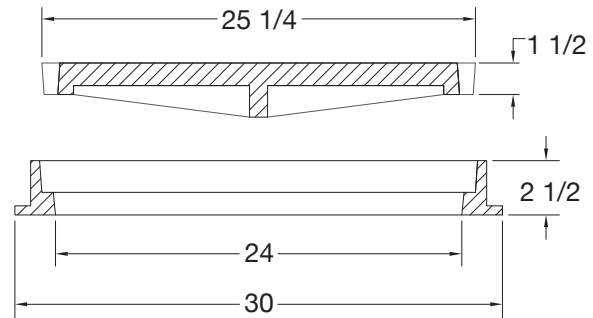
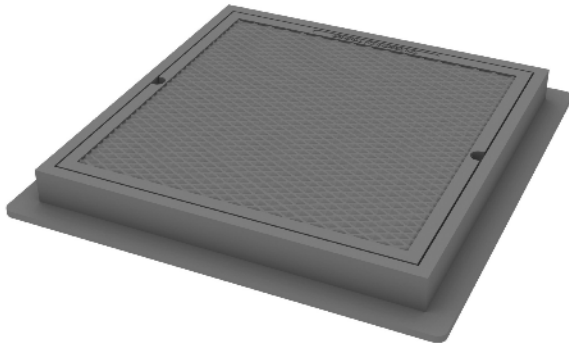
- Dimensions are approximate & in inches
- Gray Iron, Class 30B
- Conforms to ASTM A48 / A48M-03 specifications
  - \* Please specify if required in Class 35B or Ductile Iron
- Markings: Plain, Electric
  - \* Custom markings / logos available upon request

<b>PRODUCT NO.</b>
<b>21830</b>





Heavy Duty, Built Up Type Frame, Solid Cover



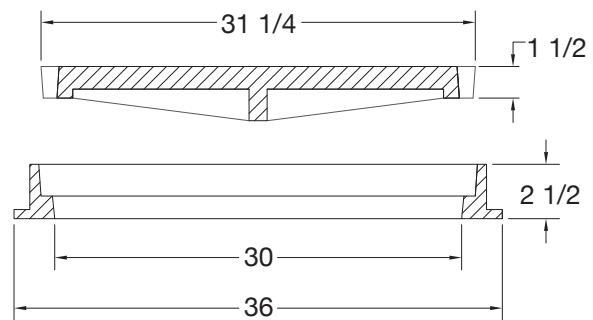
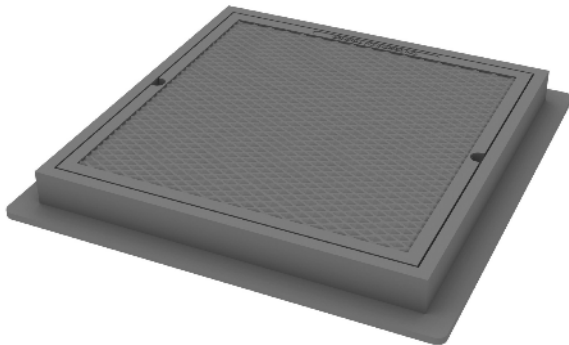
NOTES:

- Dimensions are approximate & in inches
- Gray Iron, Class 30B
- Conforms to ASTM A48 / A48M-03 specifications
- \* Please specify if required in Class 35B or Ductile Iron

PRODUCT NO.

22530

Heavy Duty, Built Up Type Frame, Solid Cover



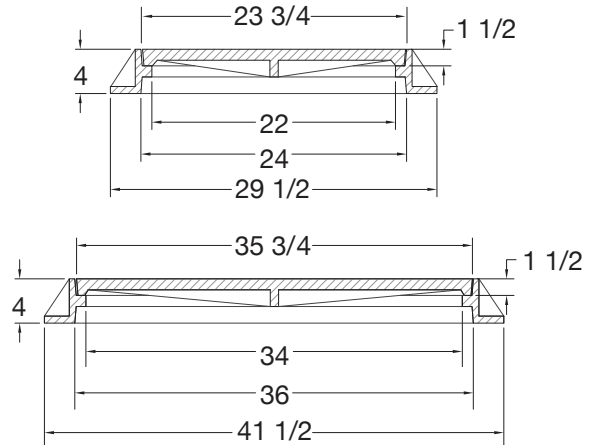
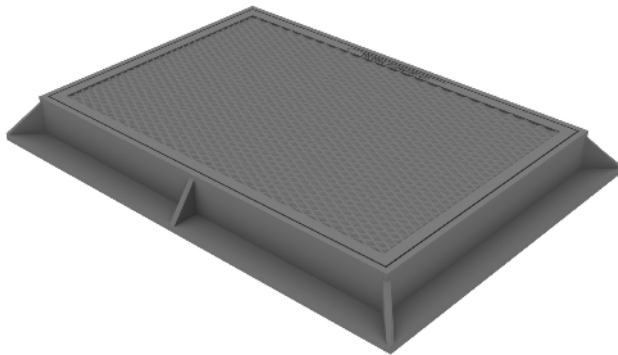
NOTES:

- Dimensions are approximate & in inches
- Gray Iron, Class 30B
- Conforms to ASTM A48 / A48M-03 specifications
- \* Please specify if required in Class 35B or Ductile Iron

PRODUCT NO.

23130

Heavy Duty, Reversible Type Frame, Solid Cover



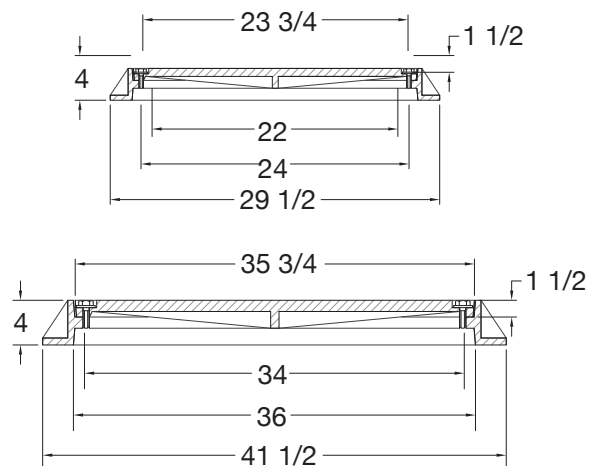
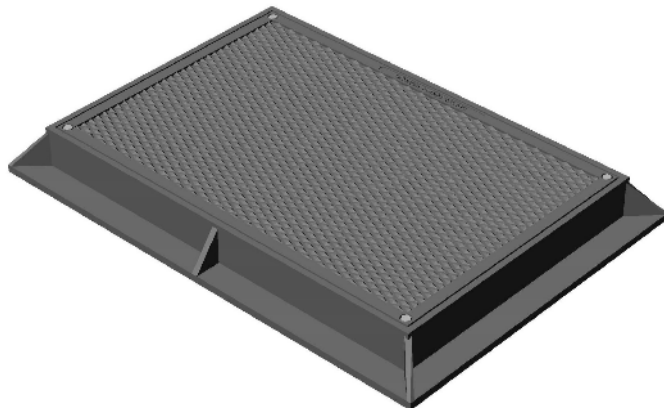
**NOTES:**

- Dimensions are approximate & in inches
- Gray Iron, Class 30B
- Conforms to ASTM A48 / A48M-03 specifications
- \* Please specify if required in Class 35B or Ductile Iron

<b>PRODUCT NO.</b>
<b>24365</b>

**Bolted**

Heavy Duty, Built Up Type Frame, Solid Cover



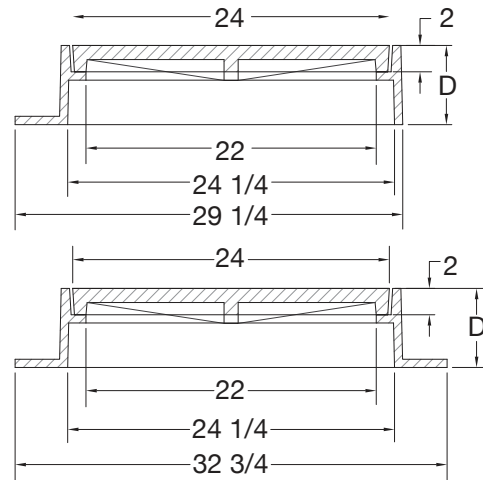
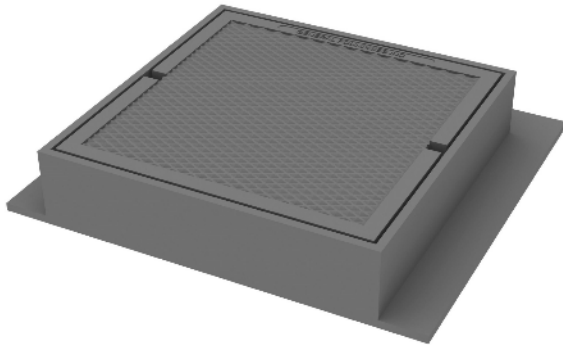
**NOTES:**

- Dimensions are approximate & in inches
- Gray Iron, Class 30B
- Conforms to ASTM A48 / A48M-03 specifications
- \* Please specify if required in Class 35B or Ductile Iron

<b>PRODUCT NO.</b>
<b>24366</b>



Heavy Duty, Built Up Type Frame, Solid Cover



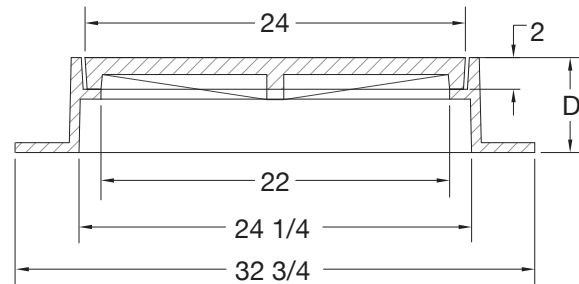
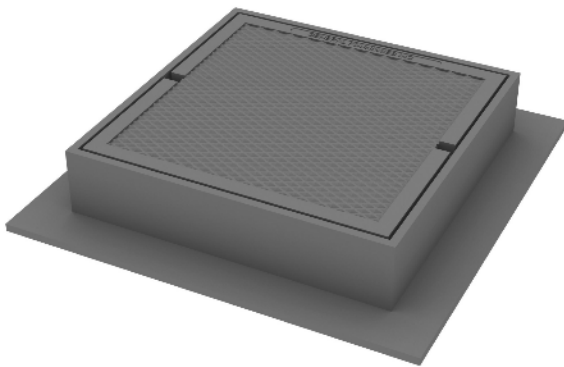
NOTES:

- Dimensions are approximate & in inches
- Gray Iron, Class 30B
- Conforms to ASTM A48 / A48M-03 specifications
  - \* Please specify if required in Class 35B or Ductile Iron
- Markings: Plain, Communication, Electric, Signal
  - \* Custom markings / logos available upon request

FRAME  
HEIGHT

PRODUCT NO.	D	FRAME
22443CVR	4	3 Flange
22463CVR	6	3 Flange
22483CVR	8	3 Flange

Heavy Duty, Built Up Type Frame, Solid Cover



NOTES:

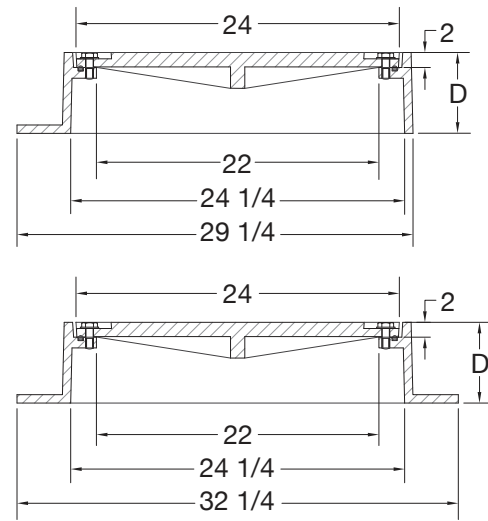
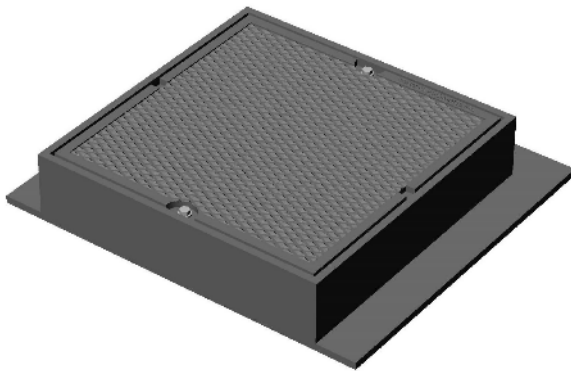
- Dimensions are approximate & in inches
- Gray Iron, Class 30B
- Conforms to ASTM A48 / A48M-03 specifications
  - \* Please specify if required in Class 35B or Ductile Iron
- Markings: Plain, Communication, Electric, Signal
  - \* Custom markings / logos available upon request

FRAME  
HEIGHT

PRODUCT NO.	D	FRAME
22444CVR	4	4 Flange
22464CVR	6	4 Flange
22484CVR	8	4 Flange



### Heavy Duty, Built Up Type Frame, Solid Cover



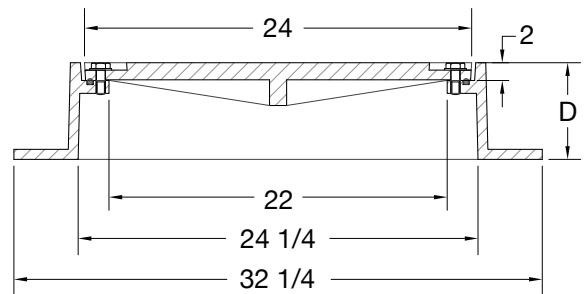
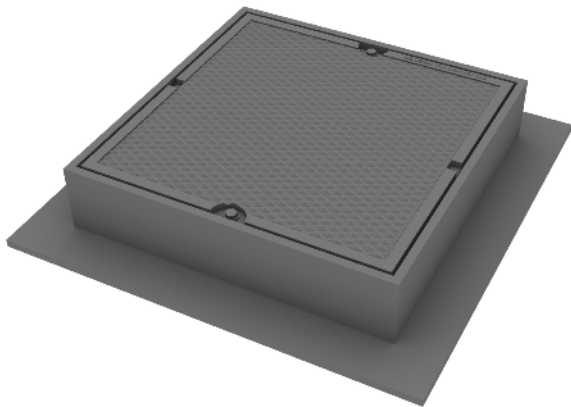
**NOTES:**

- Dimensions are approximate & in inches
- Gray Iron, Class 30B
- Conforms to ASTM A48 / A48M-03 specifications
  - \* Please specify if required in Class 35B or Ductile Iron
- Markings: Plain, Communication, Electric, Signal
  - \* Custom markings / logos available upon request

FRAME  
HEIGHT

PRODUCT NO.	D	FRAME
22446-3	4	3 Flange
22466-3	6	3 Flange
22486-3	8	3 Flange

### Heavy Duty, Built Up Type Frame, Solid Cover



FRAME  
HEIGHT

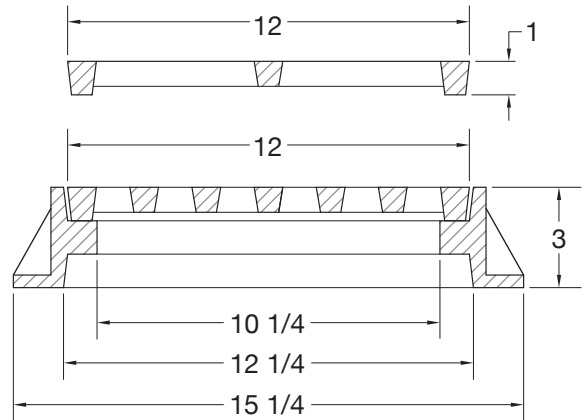
PRODUCT NO.	D	FRAME
22446-4	4	4 Flange
22466-4	6	4 Flange
22486-4	8	4 Flange

**NOTES:**

- Dimensions are approximate & in inches
- Gray Iron, Class 30B
- Conforms to ASTM A48 / A48M-03 specifications
  - \* Please specify if required in Class 35B or Ductile Iron
- Markings: Plain, Communication, Electric, Signal
  - \* Custom markings / logos available upon request



## Light Duty, Reversible Type Frame, Bike Safe Grate



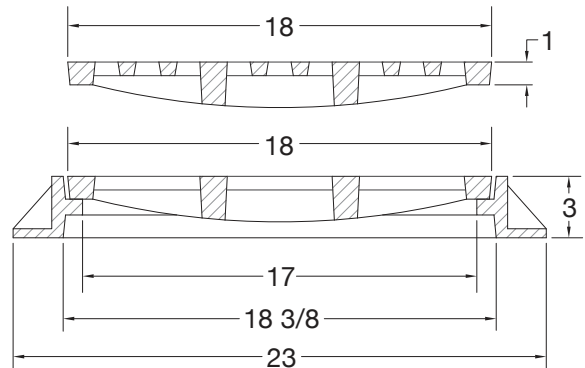
**NOTES:**

- Dimensions are approximate & in inches
- Gray Iron, Class 30B
- Conforms to ASTM A48 / A48M-03 specifications
- \* Please specify if required in Class 35B or Ductile Iron

**PRODUCT NO.**

**21232**

## Heavy Duty, Reversible Type Frame, Slotted Grate



**NOTES:**

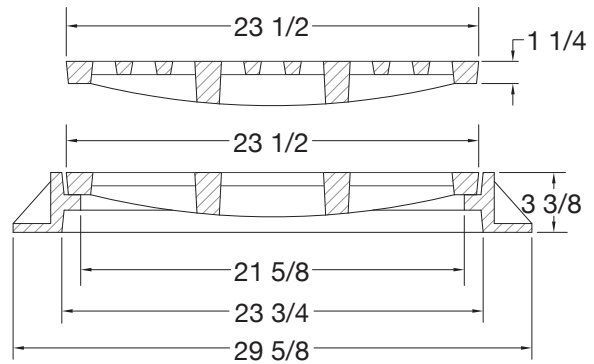
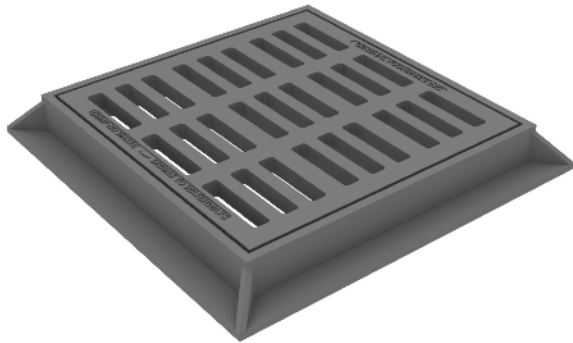
- Dimensions are approximate & in inches
- Gray Iron, Class 30B
- Conforms to ASTM A48 / A48M-03 specifications
- \* Please specify if required in Class 35B or Ductile Iron

**PRODUCT NO.**

**21833**



Heavy Duty, Reversible Type Frame, Slotted Grate



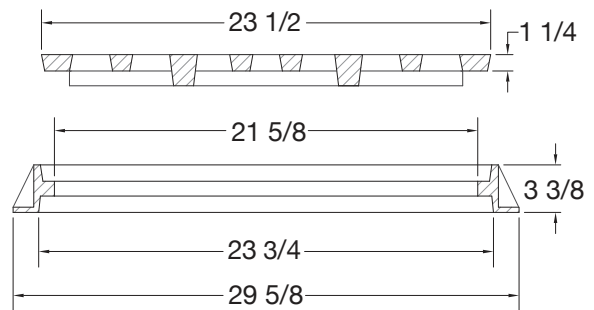
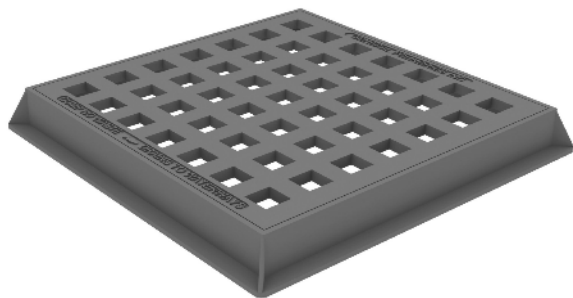
NOTES:

- Dimensions are approximate & in inches
- Gray Iron, Class 30B
- Conforms to ASTM A48 / A48M-03 specifications
- \* Please specify if required in Class 35B or Ductile Iron

PRODUCT NO.

22433

Heavy Duty, Reversible Type Frame, Square Hole Grate



NOTES:

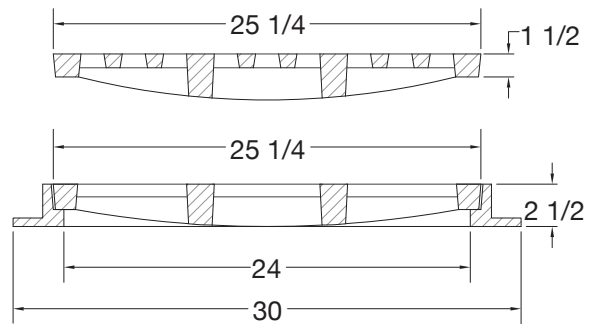
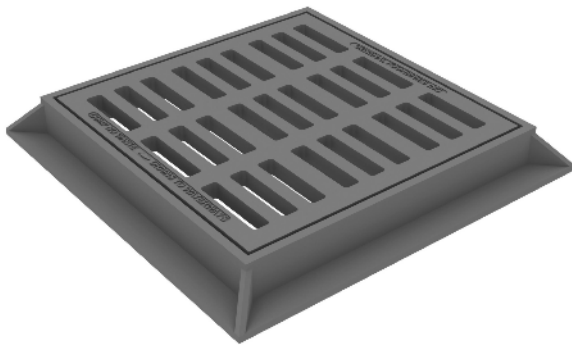
- Dimensions are approximate & in inches
- Gray Iron, Class 30B
- Conforms to ASTM A48 / A48M-03 specifications
- \* Please specify if required in Class 35B or Ductile Iron

PRODUCT NO.

22434



Heavy Duty, Built Up Type Frame, Slotted Grate



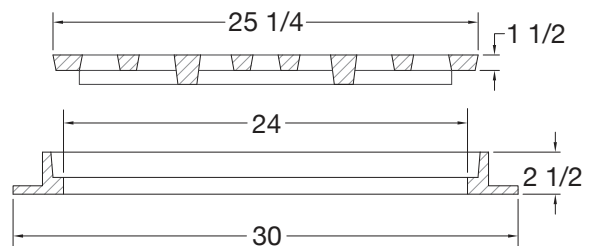
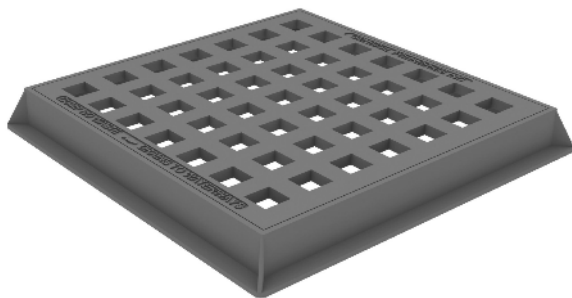
**NOTES:**

- Dimensions are approximate & in inches
- Gray Iron, Class 30B
- Conforms to ASTM A48 / A48M-03 specifications
- \* Please specify if required in Class 35B or Ductile Iron

**PRODUCT NO.**

**22533**

Heavy Duty, Built Up Type Frame, Square Hole Grate



**NOTES:**

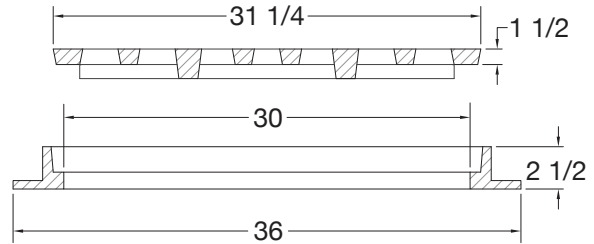
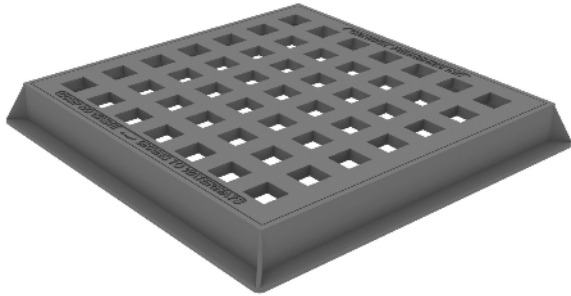
- Dimensions are approximate & in inches
- Gray Iron, Class 30B
- Conforms to ASTM A48 / A48M-03 specifications
- \* Please specify if required in Class 35B or Ductile Iron

**PRODUCT NO.**

**22534**



Heavy Duty, Built Up Type Frame, Square Hole Grate



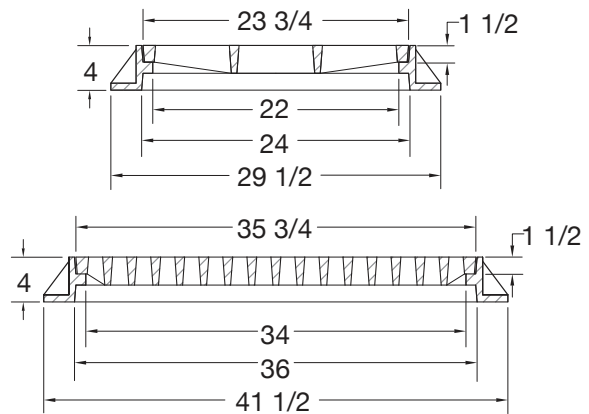
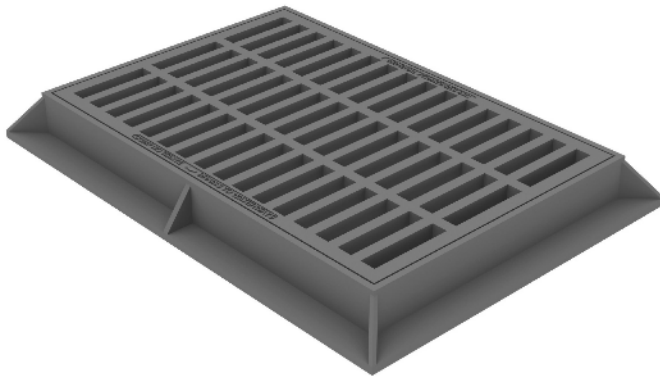
NOTES:

- Dimensions are approximate & in inches
- Gray Iron, Class 30B
- Conforms to ASTM A48 / A48M-03 specifications
- \* Please specify if required in Class 35B or Ductile Iron

PRODUCT NO.

23134

Heavy Duty, Reversible Type Frame, Slotted Grate



NOTES:

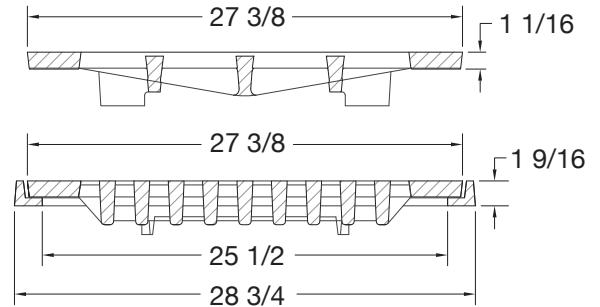
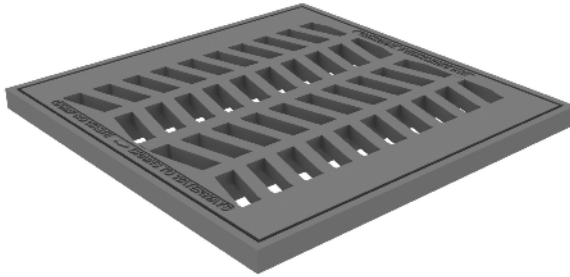
- Dimensions are approximate & in inches
- Gray Iron, Class 30B
- Conforms to ASTM A48 / A48M-03 specifications
- \* Please specify if required in Class 35B or Ductile Iron

PRODUCT NO.

24363



## Heavy Duty, Angle Type Frame, Sinusoidal Grate



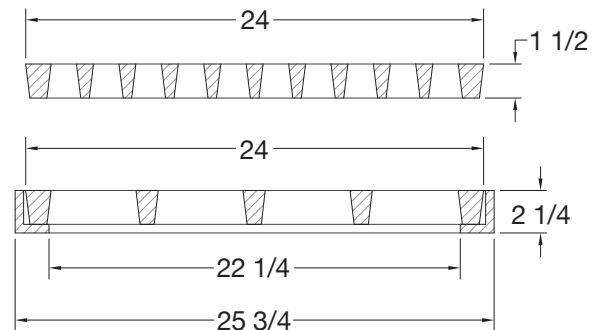
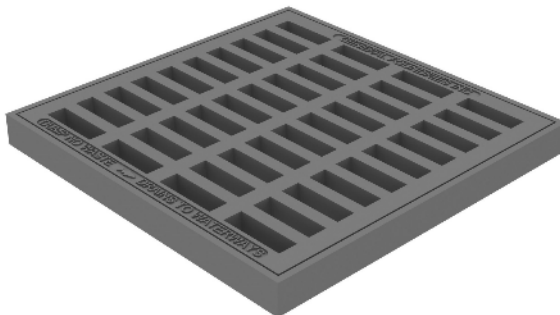
**NOTES:**

- Dimensions are approximate & in inches
- Gray Iron, Class 30B
- Conforms to ASTM A48 / A48M-03 specifications
- \* Please specify if required in Class 35B or Ductile Iron

**PRODUCT NO.**

**22716**

## Heavy Duty, Angle Type Frame, Slotted Grate



**NOTES:**

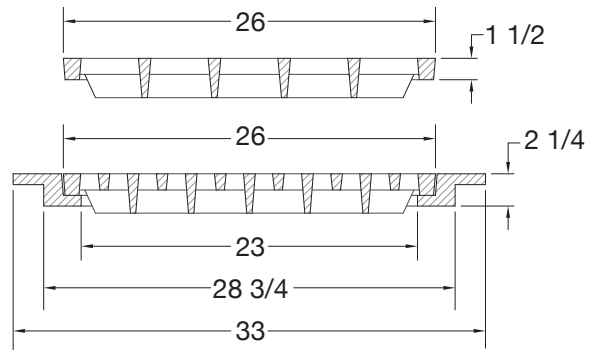
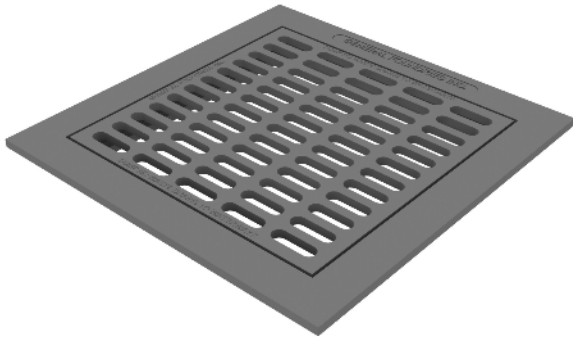
- Dimensions are approximate & in inches
- Gray Iron, Class 30B
- Conforms to ASTM A48 / A48M-03 specifications
- \* Please specify if required in Class 35B or Ductile Iron

**PRODUCT NO.**

**22402**



Heavy Duty, Slab Type Frame, Bike Safe Grate



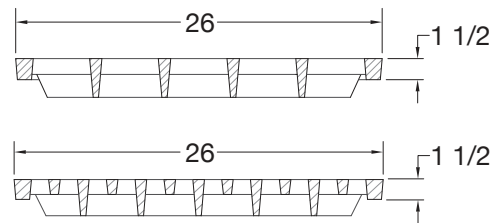
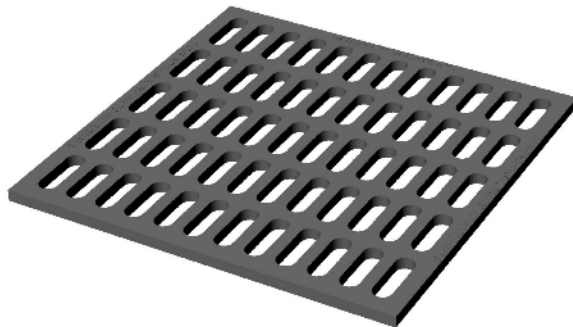
NOTES:

- Dimensions are approximate & in inches
- Gray Iron, Class 30B
- Conforms to ASTM A48 / A48M-03 specifications
- \* Please specify if required in Class 35B or Ductile Iron

PRODUCT NO.

22632

Heavy Duty, Bike Safe Grate



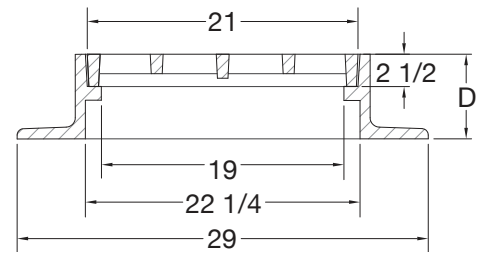
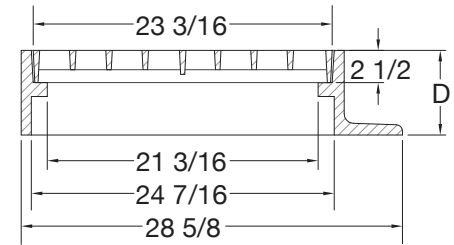
NOTES:

- Dimensions are approximate & in inches
- Gray Iron, Class 30B
- Conforms to ASTM A48 / A48M-03 specifications
- \* Please specify if required in Class 35B or Ductile Iron

PRODUCT NO.

22600

### Heavy Duty, Built Up Type Frame, Rectangle Hole Grate



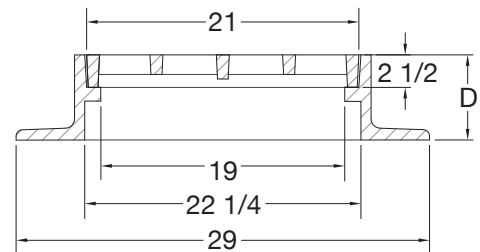
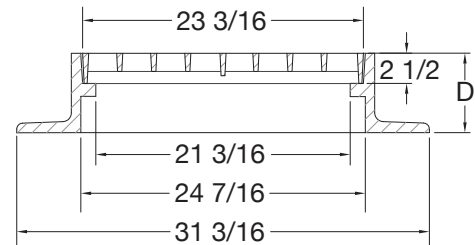
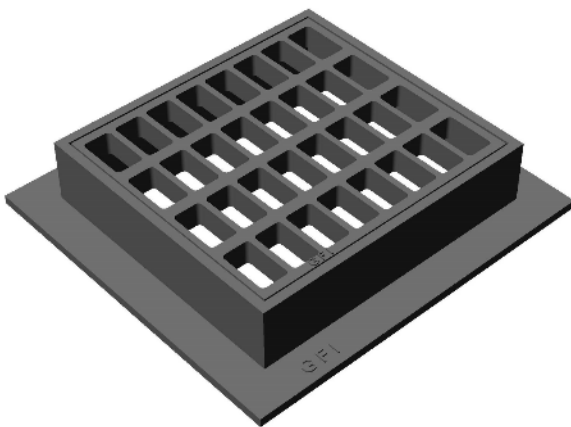
FRAME  
HEIGHT

**NOTES:**

- Dimensions are approximate & in inches
- Gray Iron, Class 30B
- Conforms to ASTM A48 / A48M-03 specifications
- \* Please specify if required in Class 35B or Ductile Iron

PRODUCT NO.	D	FRAME
22143	4	3 Flange
22163	6	3 Flange
22183	8	3 Flange

### Heavy Duty, Built Up Type Frame, Rectangle Hole Grate



FRAME  
HEIGHT

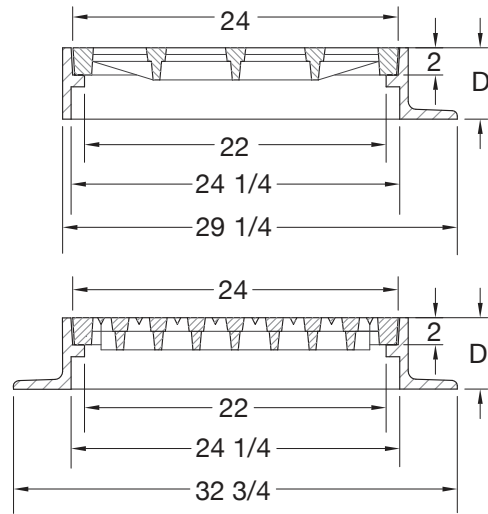
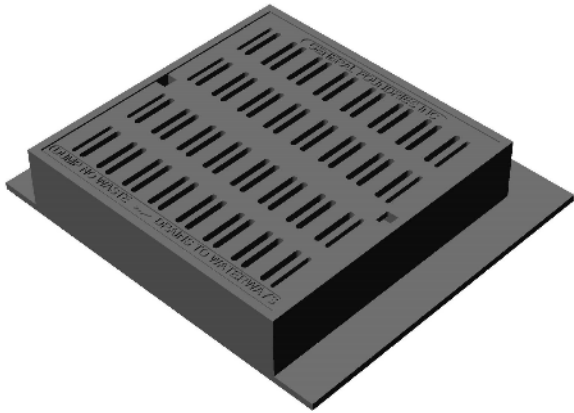
**NOTES:**

- Dimensions are approximate & in inches
- Gray Iron, Class 30B
- Conforms to ASTM A48 / A48M-03 specifications
- \* Please specify if required in Class 35B or Ductile Iron

PRODUCT NO.	D	FRAME
22144	4	4 Flange
22164	6	4 Flange
22184	8	4 Flange



Heavy Duty, Built Up Type Frame, ADA Compliant Grate



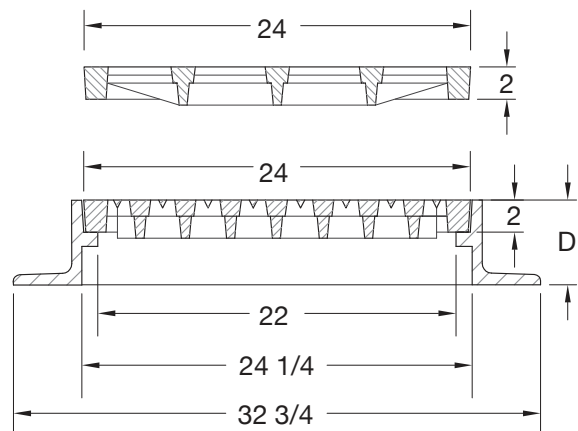
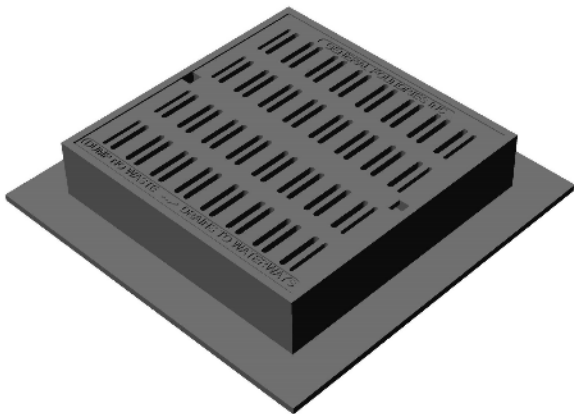
NOTES:

- Dimensions are approximate & in inches
- Gray Iron, Class 30B
- Conforms to ASTM A48 / A48M-03 specifications
- \* Please specify if required in Class 35B or Ductile Iron

FRAME  
HEIGHT

PRODUCT NO.	D	FRAME
22443ADA	4	3 Flange
22463ADA	6	3 Flange
22483ADA	8	3 Flange

Heavy Duty, Built Up Type Frame, ADA Compliant Grate



NOTES:

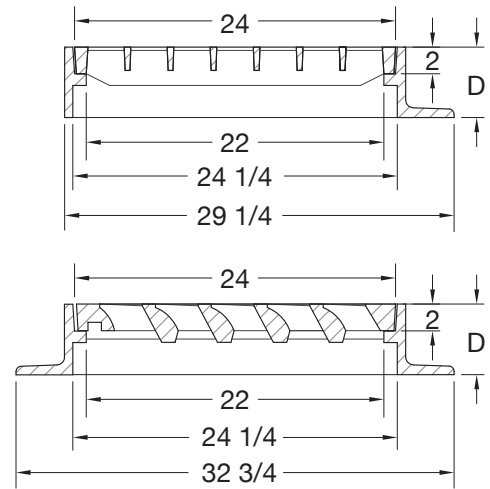
- Dimensions are approximate & in inches
- Gray Iron, Class 30B
- Conforms to ASTM A48 / A48M-03 specifications
- \* Please specify if required in Class 35B or Ductile Iron

FRAME  
HEIGHT

PRODUCT NO.	D	FRAME
22444ADA	4	4 Flange
22464ADA	6	4 Flange
22484ADA	8	4 Flange



## Heavy Duty, Built Up Type Frame, Cascade Grate



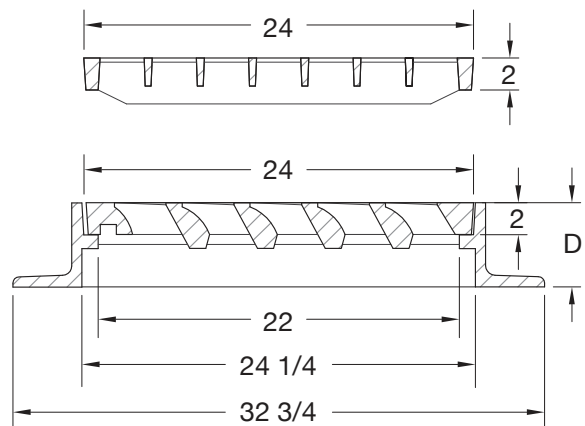
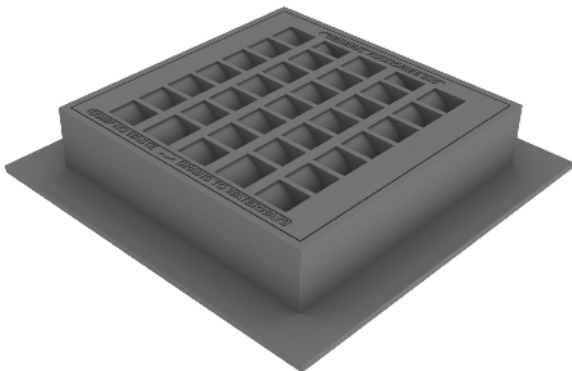
FRAME  
HEIGHT

PRODUCT NO.	D	FRAME
22443CAS	4	3 Flange
22463CAS	6	3 Flange
22483CAS	8	3 Flange

**NOTES:**

- Dimensions are approximate & in inches
- Gray Iron, Class 30B
- Conforms to ASTM A48 / A48M-03 specifications
- \* Please specify if required in Class 35B or Ductile Iron

## Heavy Duty, Built Up Type Frame, Cascade Grate



FRAME  
HEIGHT

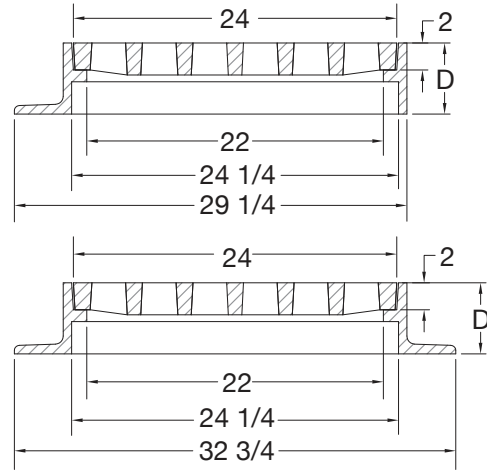
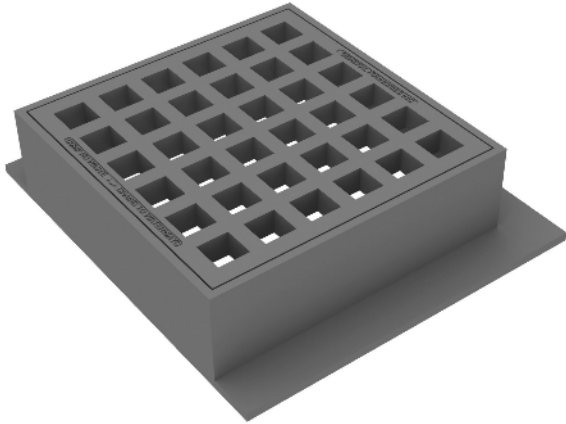
PRODUCT NO.	D	FRAME
22444CAS	4	4 Flange
22464CAS	6	4 Flange
22484CAS	8	4 Flange

**NOTES:**

- Dimensions are approximate & in inches
- Gray Iron, Class 30B
- Conforms to ASTM A48 / A48M-03 specifications
- \* Please specify if required in Class 35B or Ductile Iron



Heavy Duty, Built Up Type Frame, Square Hole Grate



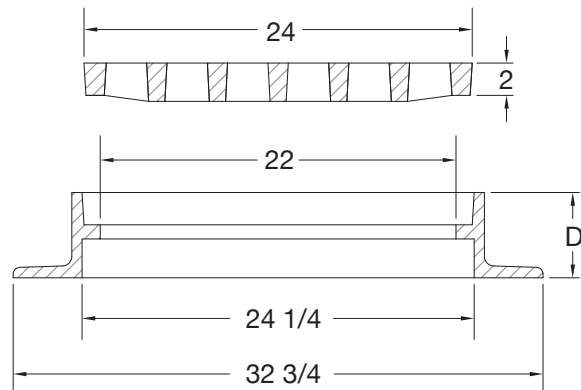
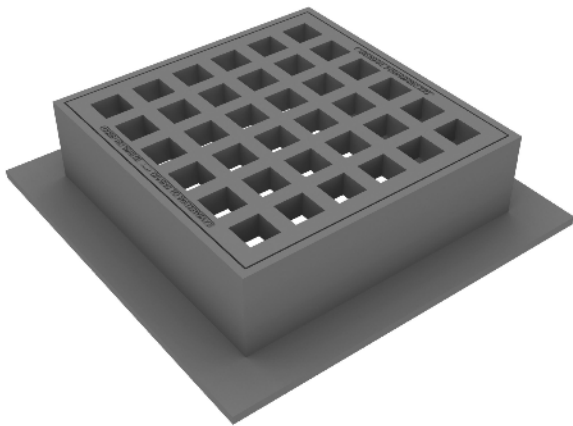
NOTES:

- Dimensions are approximate & in inches
- Gray Iron, Class 30B
- Conforms to ASTM A48 / A48M-03 specifications
- \* Please specify if required in Class 35B or Ductile Iron

FRAME  
HEIGHT

PRODUCT NO.	D	FRAME
22443SQH	4	3 Flange
22463SQH	6	3 Flange
22483SQH	8	3 Flange

Heavy Duty, Built Up Type Frame, Square Hole Grate



NOTES:

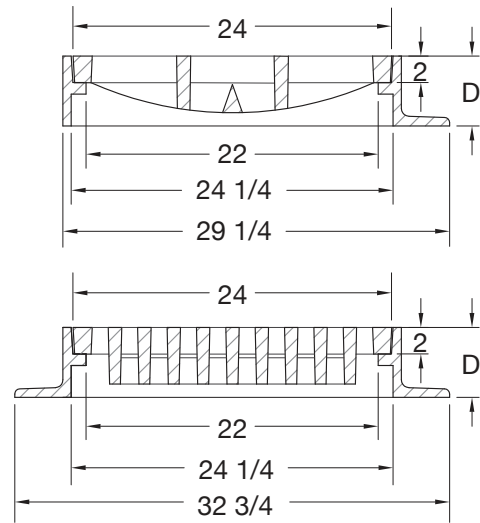
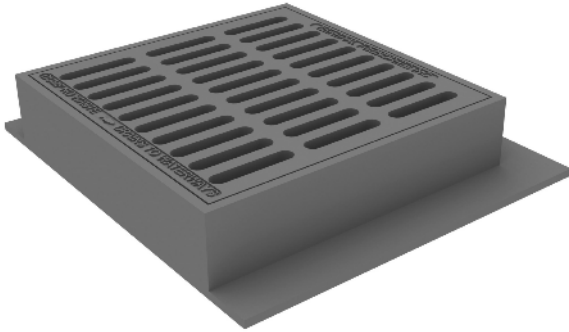
- Dimensions are approximate & in inches
- Gray Iron, Class 30B
- Conforms to ASTM A48 / A48M-03 specifications
- \* Please specify if required in Class 35B or Ductile Iron

FRAME  
HEIGHT

PRODUCT NO.	D	FRAME
22444SQH	4	4 Flange
22464SQH	6	4 Flange
22484SQH	8	4 Flange



## Heavy Duty, Built Up Type Frame, Bike Safe Grate



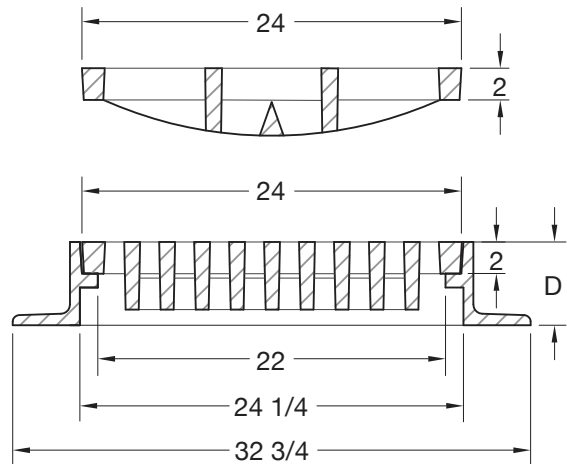
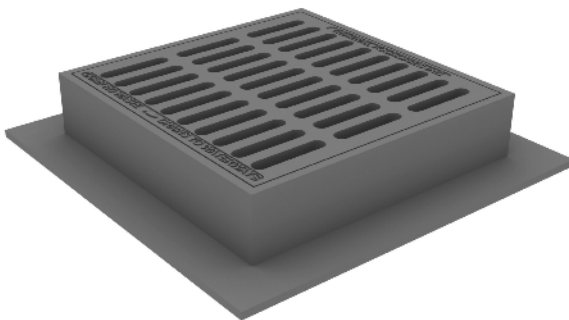
FRAME  
HEIGHT

PRODUCT NO.	D	FRAME
22443BS	4	3 Flange
22463BS	6	3 Flange
22483BS	8	3 Flange

**NOTES:**

- Dimensions are approximate & in inches
- Gray Iron, Class 30B
- Conforms to ASTM A48 / A48M-03 specifications
- \* Please specify if required in Class 35B or Ductile Iron

## Heavy Duty, Built Up Type Frame, Bike Safe Grate



FRAME  
HEIGHT

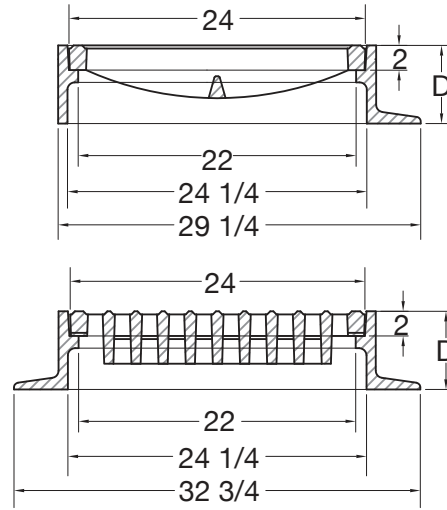
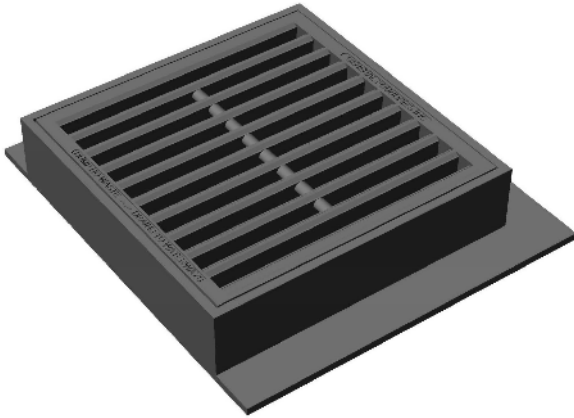
PRODUCT NO.	D	FRAME
22444BS	4	4 Flange
22464BS	6	4 Flange
22484BS	8	4 Flange

**NOTES:**

- Dimensions are approximate & in inches
- Gray Iron, Class 30B
- Conforms to ASTM A48 / A48M-03 specifications
- \* Please specify if required in Class 35B or Ductile Iron



Heavy Duty, Built Up Type Frame, Bar Grate



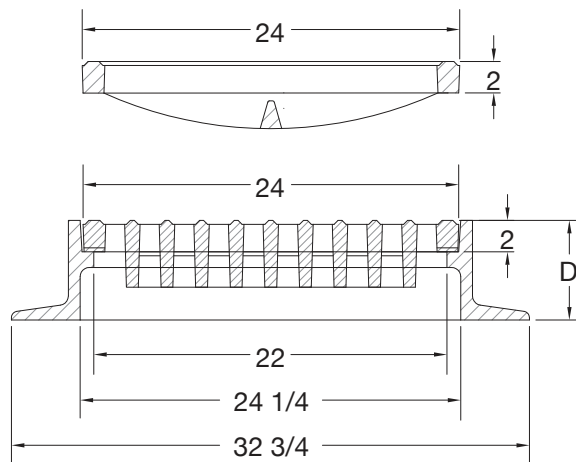
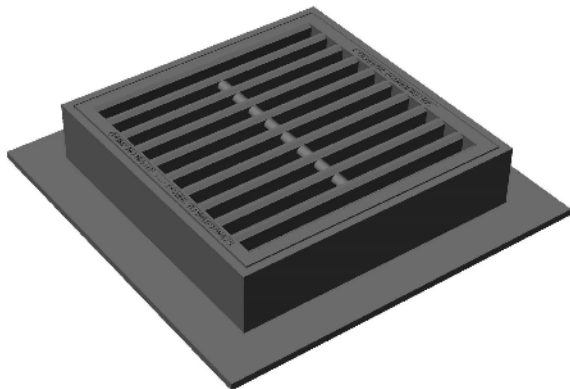
NOTES:

- Dimensions are approximate & in inches
- Gray Iron, Class 30B
- Conforms to ASTM A48 / A48M-03 specifications
- \* Please specify if required in Class 35B or Ductile Iron

FRAME  
HEIGHT

PRODUCT NO.	D	FRAME
22443BAR	4	3 Flange
22463BAR	6	3 Flange
22483BAR	8	3 Flange

Heavy Duty, Built Up Type Frame, Bar Grate



NOTES:

- Dimensions are approximate & in inches
- Gray Iron, Class 30B
- Conforms to ASTM A48 / A48M-03 specifications
- \* Please specify if required in Class 35B or Ductile Iron

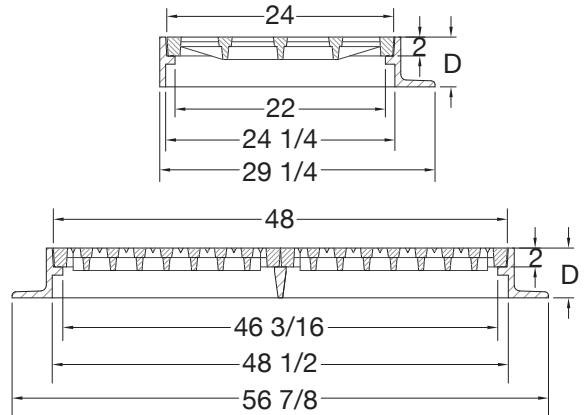
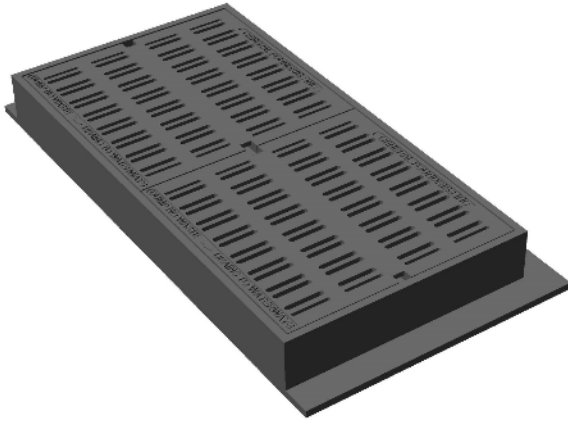
FRAME  
HEIGHT

PRODUCT NO.	D	FRAME
22444BAR	4	4 Flange
22464BAR	6	4 Flange
22484BAR	8	4 Flange





### Heavy Duty, Built Up Type Frame, ADA Compliant Grate



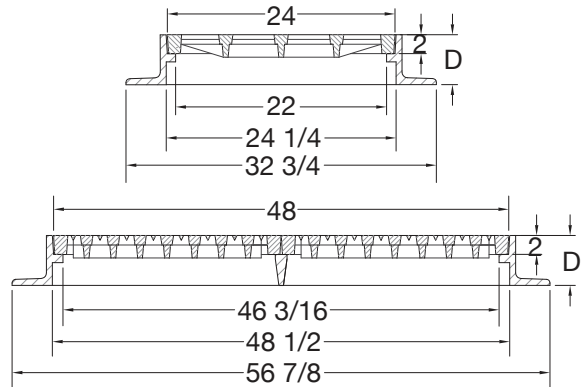
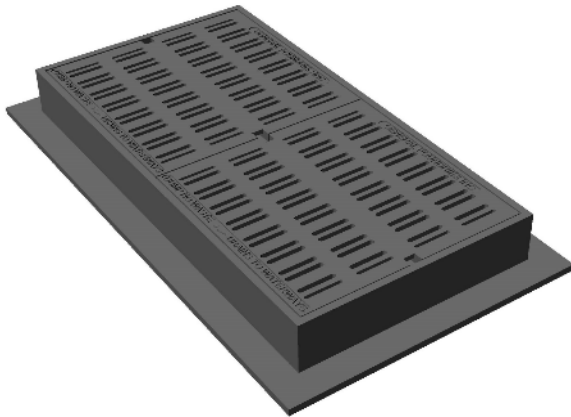
**NOTES:**

- Dimensions are approximate & in inches
- Gray Iron, Class 30B
- Conforms to ASTM A48 / A48M-03 specifications
- \* Please specify if required in Class 35B or Ductile Iron

FRAME  
HEIGHT

PRODUCT NO.	D	FRAME
24843ADA	4	3 Flange
24863ADA	6	3 Flange
24883ADA	8	3 Flange

### Heavy Duty, Built Up Type Frame, ADA Compliant Grate



**NOTES:**

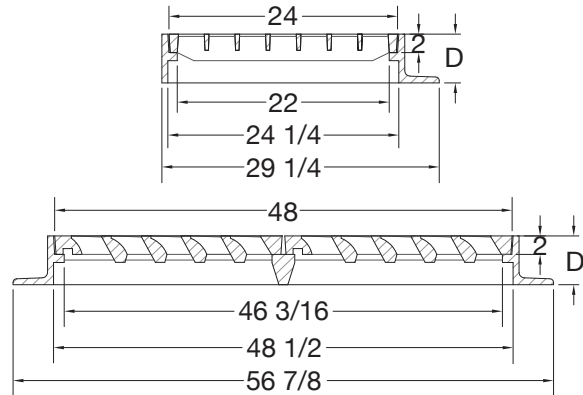
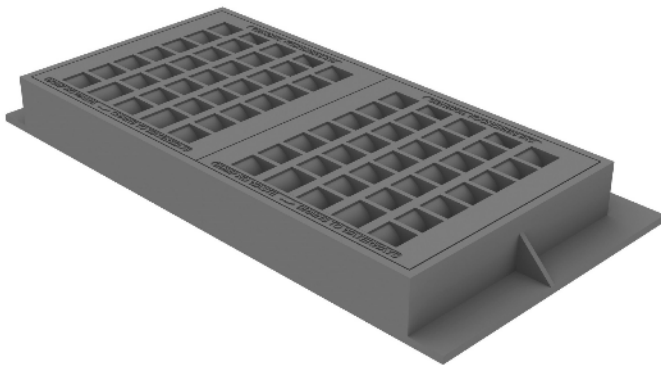
- Dimensions are approximate & in inches
- Gray Iron, Class 30B
- Conforms to ASTM A48 / A48M-03 specifications
- \* Please specify if required in Class 35B or Ductile Iron

FRAME  
HEIGHT

PRODUCT NO.	D	FRAME
24844ADA	4	4 Flange
24864ADA	6	4 Flange
24884ADA	8	4 Flange



Heavy Duty, Built Up Type Frame, Cascade Grate



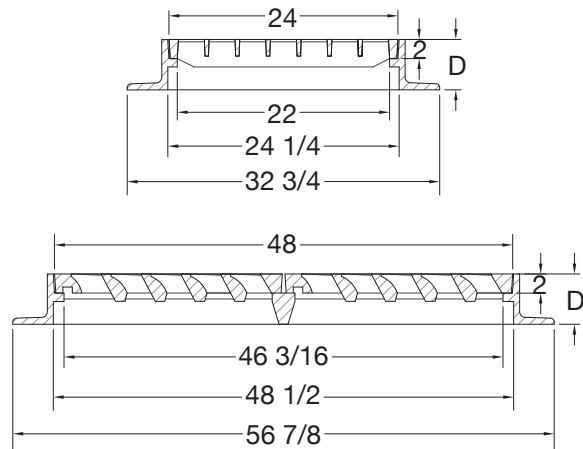
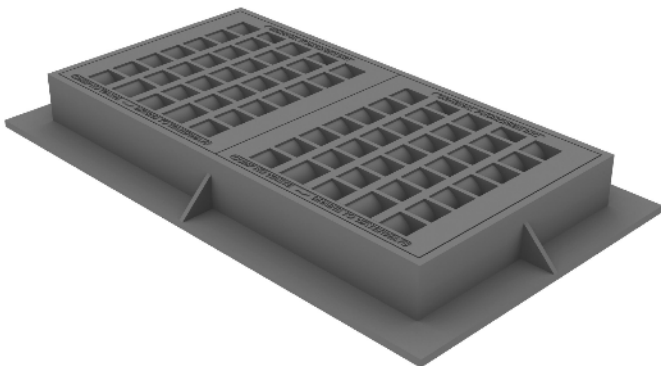
NOTES:

- Dimensions are approximate & in inches
- Gray Iron, Class 30B
- Conforms to ASTM A48 / A48M-03 specifications
- \* Please specify if required in Class 35B or Ductile Iron

FRAME  
HEIGHT

PRODUCT NO.	D	FRAME
24843CAS	4	3 Flange
24863CAS	6	3 Flange
24883CAS	8	3 Flange

Heavy Duty, Built Up Type Frame, Cascade Grate



NOTES:

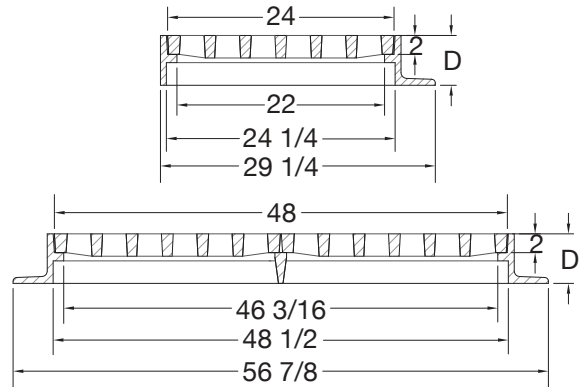
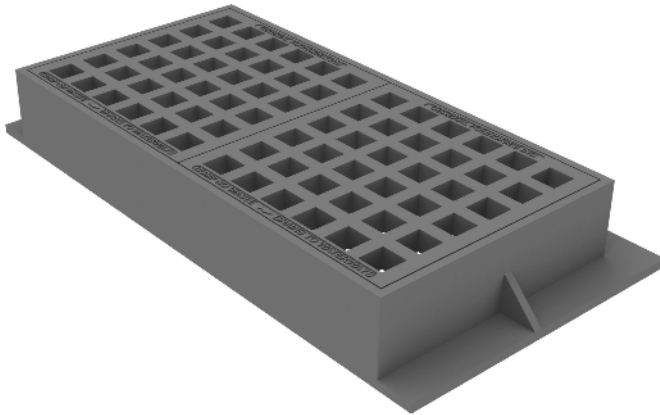
- Dimensions are approximate & in inches
- Gray Iron, Class 30B
- Conforms to ASTM A48 / A48M-03 specifications
- \* Please specify if required in Class 35B or Ductile Iron

FRAME  
HEIGHT

PRODUCT NO.	D	FRAME
24844CAS	4	4 Flange
24864CAS	6	4 Flange
24884CAS	8	4 Flange



## Heavy Duty, Built Up Type Frame, Square Hole Grate



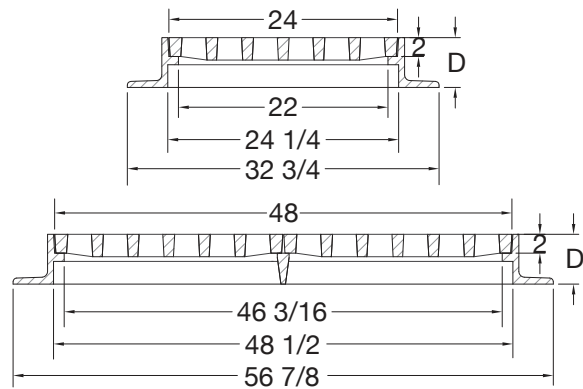
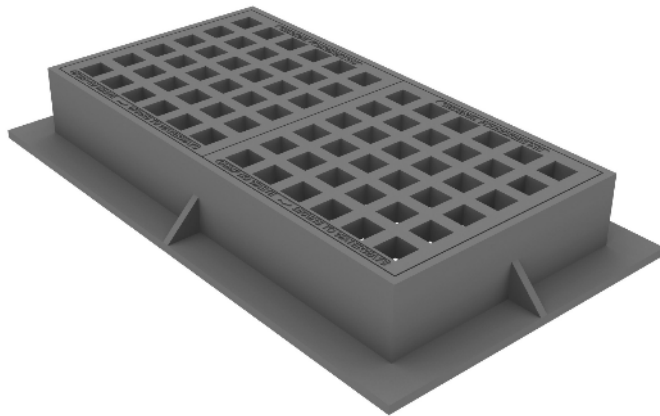
**NOTES:**

- Dimensions are approximate & in inches
- Gray Iron, Class 30B
- Conforms to ASTM A48 / A48M-03 specifications
- \* Please specify if required in Class 35B or Ductile Iron

FRAME  
HEIGHT

PRODUCT NO.	D	FRAME
24843SQH	4	3 Flange
24863SQH	6	3 Flange
24883SQH	8	3 Flange

## Heavy Duty, Built Up Type Frame, Square Hole Grate



**NOTES:**

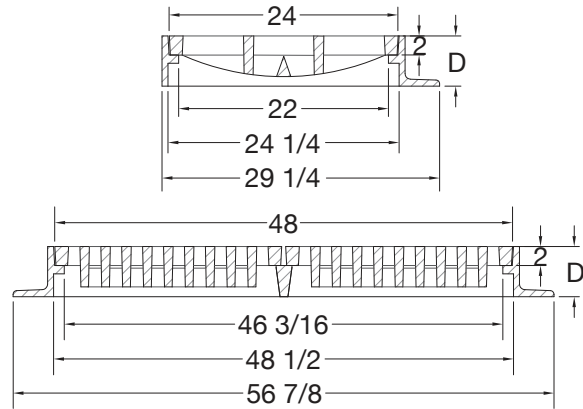
- Dimensions are approximate & in inches
- Gray Iron, Class 30B
- Conforms to ASTM A48 / A48M-03 specifications
- \* Please specify if required in Class 35B or Ductile Iron

FRAME  
HEIGHT

PRODUCT NO.	D	FRAME
24844SQH	4	4 Flange
24864SQH	6	4 Flange
24884SQH	8	4 Flange



Heavy Duty, Built Up Type Frame, Bike Safe Grate



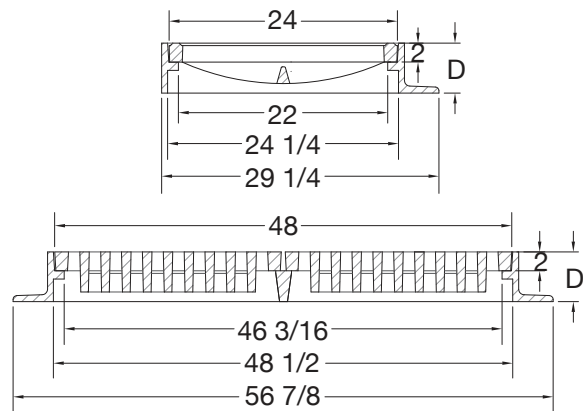
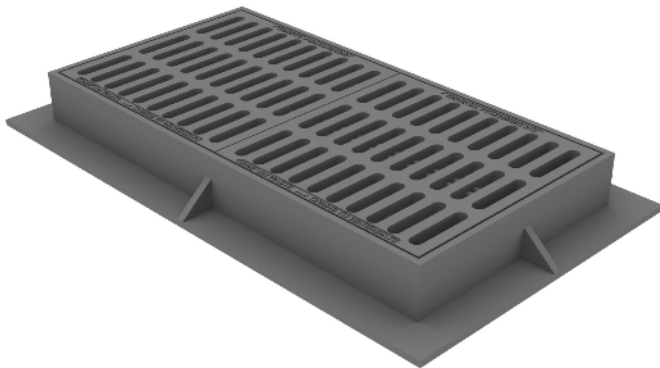
NOTES:

- Dimensions are approximate & in inches
- Gray Iron, Class 30B
- Conforms to ASTM A48 / A48M-03 specifications
- \* Please specify if required in Class 35B or Ductile Iron

FRAME  
HEIGHT

PRODUCT NO.	D	FRAME
24843BS	4	3 Flange
24863BS	6	3 Flange
24883BS	8	3 Flange

Heavy Duty, Built Up Type Frame, Bike Safe Grate



NOTES:

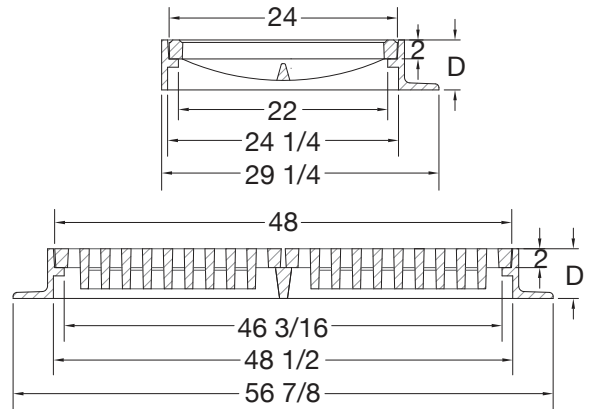
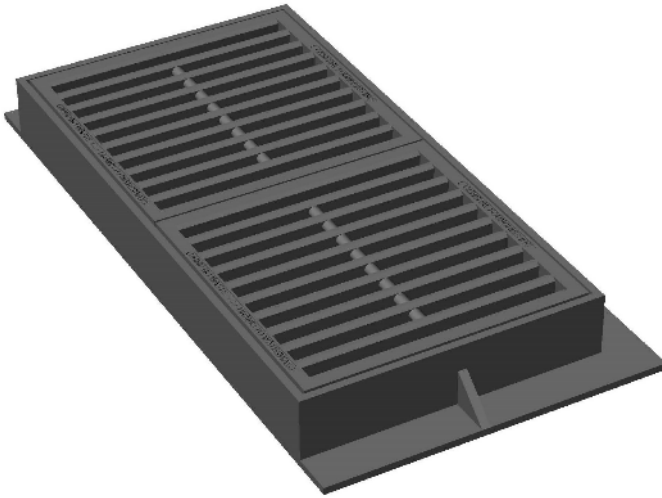
- Dimensions are approximate & in inches
- Gray Iron, Class 30B
- Conforms to ASTM A48 / A48M-03 specifications
- \* Please specify if required in Class 35B or Ductile Iron

FRAME  
HEIGHT

PRODUCT NO.	D	FRAME
24844BS	4	4 Flange
24864BS	6	4 Flange
24884BS	8	4 Flange



Heavy Duty, Built Up Type Frame, Bar Grate



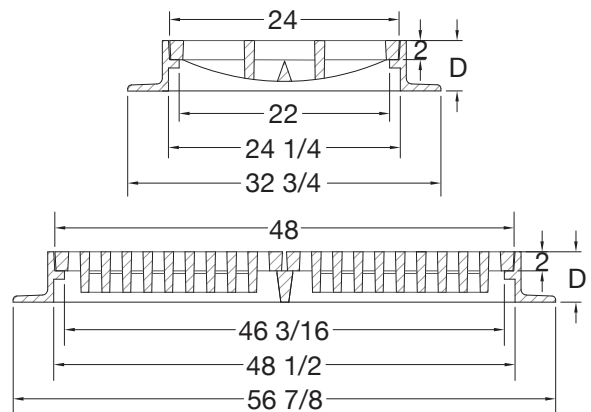
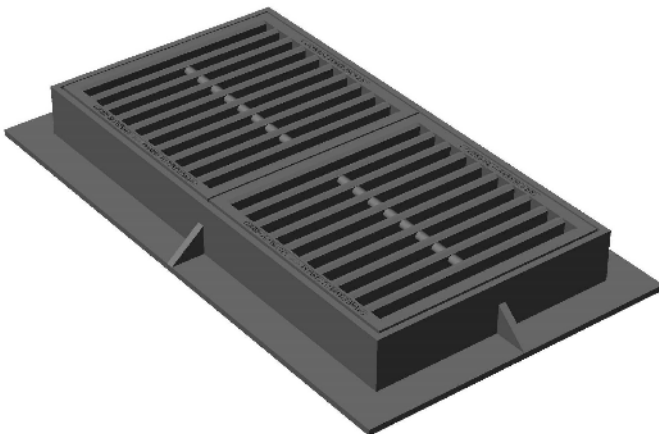
**NOTES:**

- Dimensions are approximate & in inches
- Gray Iron, Class 30B
- Conforms to ASTM A48 / A48M-03 specifications
  - \* Please specify if required in Class 35B or Ductile Iron

FRAME  
HEIGHT

PRODUCT NO.	D	FRAME
24843BAR	4	3 Flange
24863BAR	6	3 Flange
24883BAR	8	3 Flange

Heavy Duty, Built Up Type Frame, Bar Grate



**NOTES:**

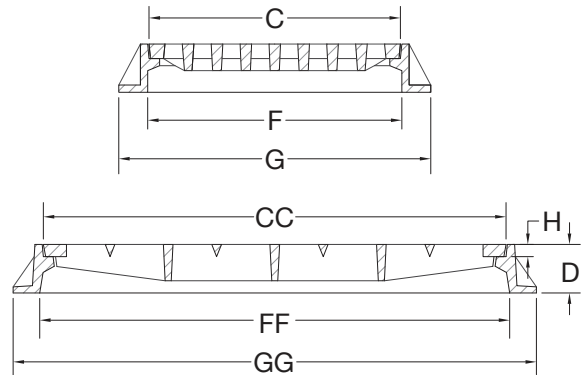
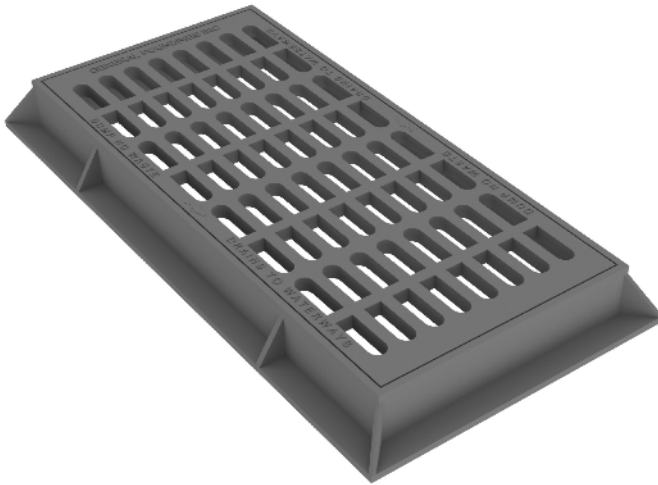
- Dimensions are approximate & in inches
- Gray Iron, Class 30B
- Conforms to ASTM A48 / A48M-03 specifications
  - \* Please specify if required in Class 35B or Ductile Iron

FRAME  
HEIGHT

PRODUCT NO.	D	FRAME
24844BAR	4	4 Flange
24864BAR	6	4 Flange
24884BAR	8	4 Flange



Heavy Duty, Built Up Type Frame, Bike Safe Grate

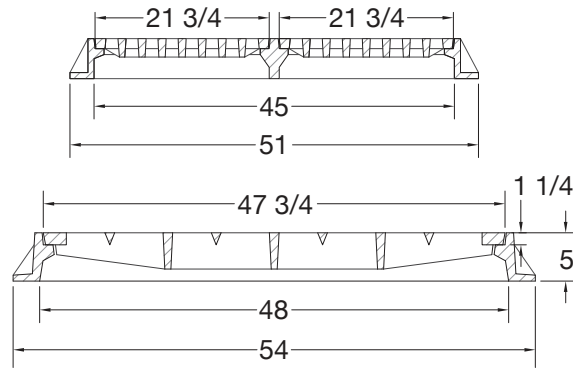
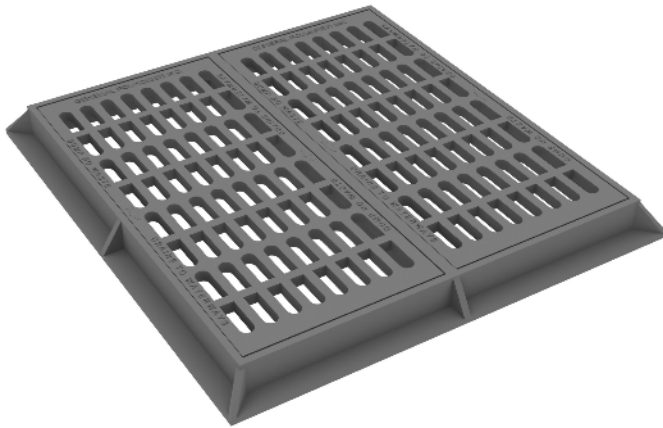


PRODUCT NO.	GRATE DIMENSION		FRAME HEIGHT	INNER FLANGE DIMENSION		OUTER FLANGE DIMENSION		GRATE THICKNESS
	C	CC	D	F	FF	G	GG	H
23404	20-1/2	34-1/8	4	22	32-3/4	28	41-1/4	1-1/4
23405	21-3/4	47-3/4	5	22	48	28	54	1-1/4
23406	21-3/4	35-3/4	5	22	36	28	42	1-1/4
23408	30	49-1/4	5	30-1/4	49-1/2	36	55-1/2	1-1/4
23444	25-3/4	47-3/4	5	26	48	32	54	1-1/4
23449	25-3/4	47-3/4	9	26	48	34	56	1-1/4

**NOTES:**

- Dimensions are approximate & in inches
- Gray Iron, Class 30B
- Conforms to ASTM A48 / A48M-03 specifications
- \* Please specify if required in Class 35B or Ductile Iron



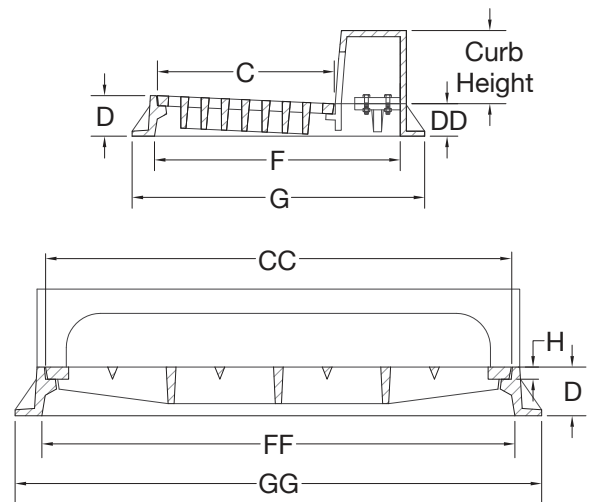
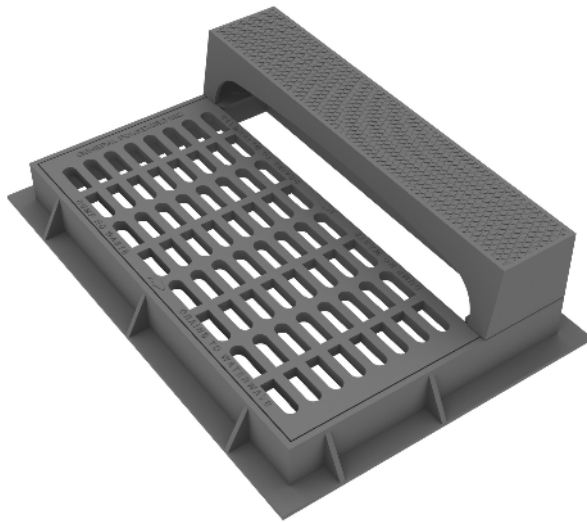


PRODUCT NO.
23425

**NOTES:**

- Dimensions are approximate & in inches
- Gray Iron, Class 30B
- Conforms to ASTM A48 / A48M-03 specifications
- \* Please specify if required in Class 35B or Ductile Iron

Heavy Duty, Built Up Type Frame, Bike Safe Grate



PRODUCT NO.	GRATE DIMENSION		FRAME HEIGHT		INNER FLANGE DIMENSION		OUTER FLANGE DIMENSION		GRATE THK.	CURB HEIGHT
	C	CC	D	DD	F	FF	G	GG	H	
22633-6R	21-3/4	35-3/4	5-1/2	4	30	36	36	42	1-1/4	6
22633-8R										8
22617-6R	21-3/4	47-3/4	5-1/2	4	30	48	36	54	1-1/4	6
22617-8R										8
22596-6R	25-3/4	47-3/4	5-1/2	4	31	48	37	54	1-1/4	6
22596-8R										8
22639-6R	30	49-1/4	5-1/2	4-1/2	36	49	42	54	1-1/4	6
22639-8R										8

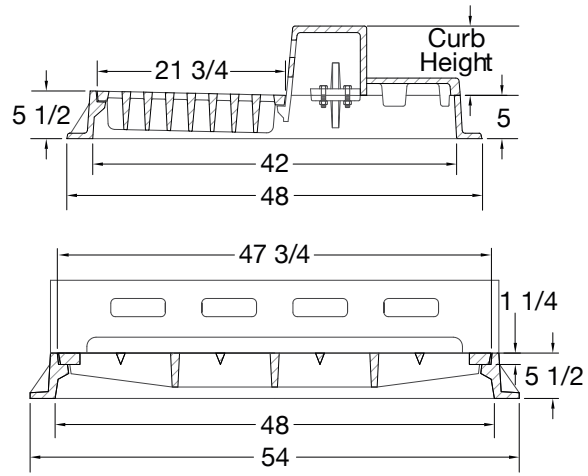
**NOTES:**

- Dimensions are approximate & in inches
- Gray Iron, Class 30B
- Conforms to ASTM A48 / A48M-03 specifications
- \* Please specify if required in Class 35B or Ductile Iron





Heavy Duty, Built Up Type Frame, Bike Safe Grate,  
N-Style Curb (Meets EPA Guidelines)



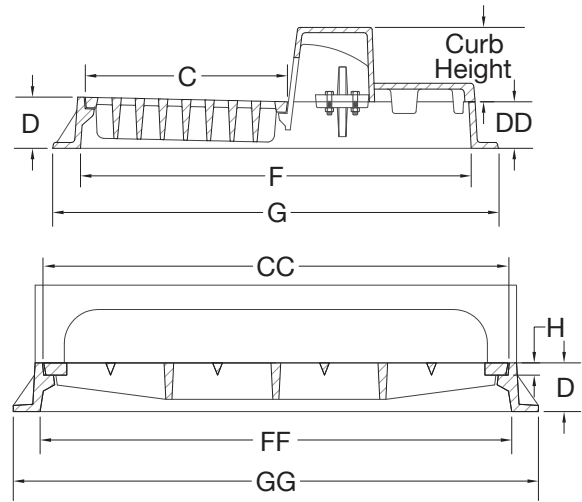
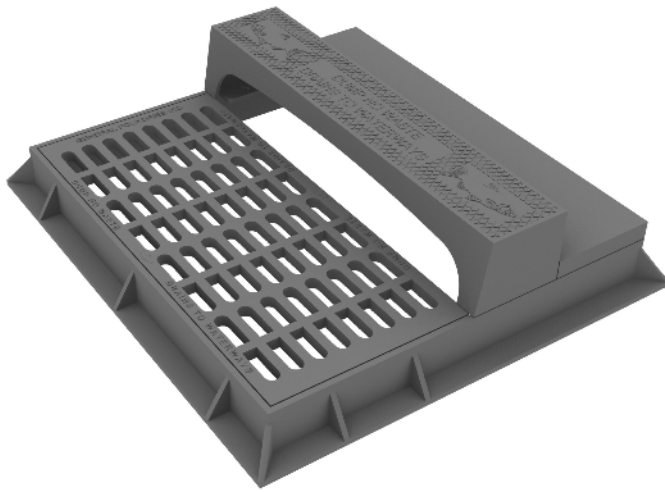
PRODUCT NO.	CURB HEIGHT
22617-6N	6
22617-8N	8

**NOTES:**

- Dimensions are approximate & in inches
- Gray Iron, Class 30B
- Conforms to ASTM A48 / A48M-03 specifications
- \* Please specify if required in Class 35B or Ductile Iron



Heavy Duty, Built Up Type Frame, Bike Safe Grate,  
Curb, Back Plate



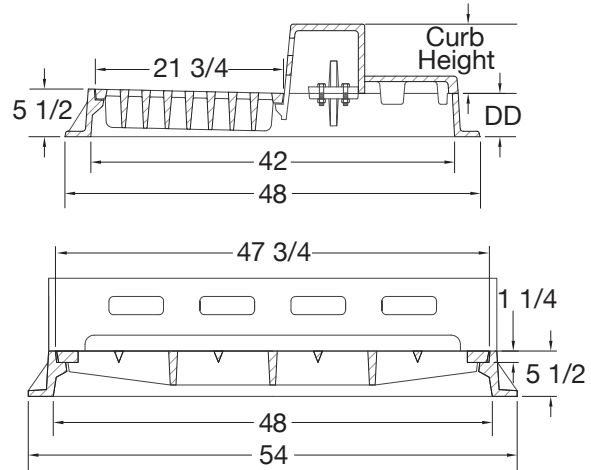
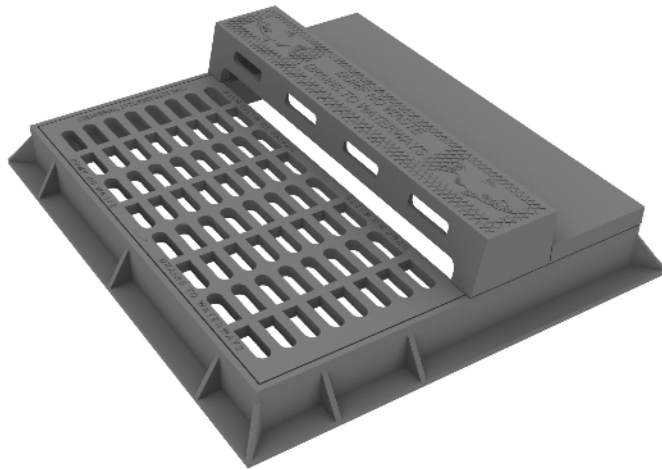
PRODUCT NO.	GRATE DIMENSION		FRAME HEIGHT		INNER FLANGE DIMENSION		OUTER FLANGE DIMENSION		GRATE THK	CURB HEIGHT
	C	CC	D	DD	F	FF	G	GG		
22618-6R	21-3/4	47-3/4	5-1/2	5	42	48	48	54	1-1/4	6
22618-8R										8
22694-6R	25-3/4	47-3/4	5-1/2	5	42	48	48	54	1-1/4	6
22694-8R										8

**NOTES:**

- Dimensions are approximate & in inches
- Gray Iron, Class 30B
- Conforms to ASTM A48 / A48M-03 specifications
- \* Please specify if required in Class 35B or Ductile Iron



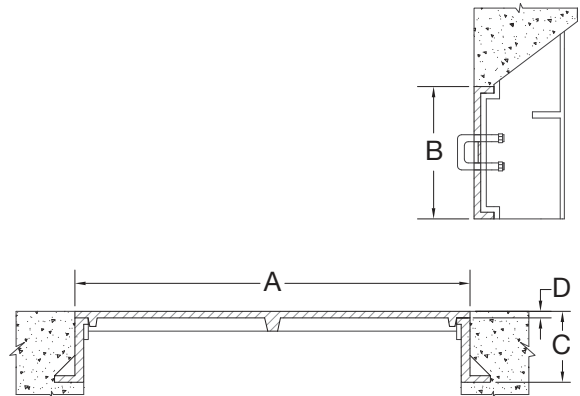
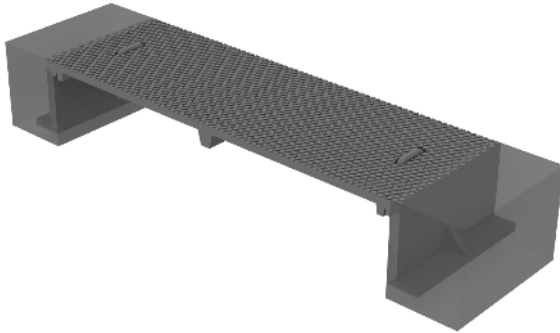
Heavy Duty, Built Up Type Frame, Bike Safe Grate,  
N-Style Curb (Meets EPA Guidelines), Back Plate



PRODUCT NO.	CURB HEIGHT
22618-6N	6
22618-8N	8

**NOTES:**

- Dimensions are approximate & in inches
- Gray Iron, Class 30B
- Conforms to ASTM A48 / A48M-03 specifications
- \* Please specify if required in Class 35B or Ductile Iron



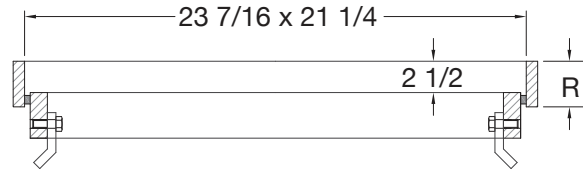
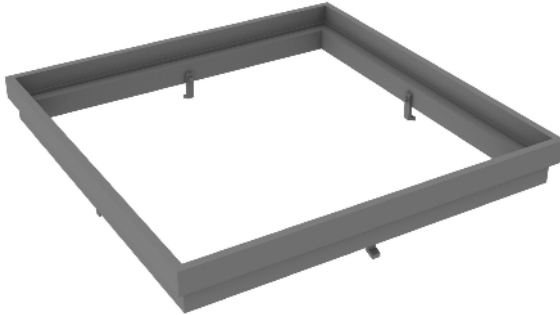
PRODUCT NO.	A	B	C	D
24051	51	12-3/4	15	3/4
24063	63	12-3/4	15	3/4

**NOTES:**

- Dimensions are approximate & in inches
- Gray Iron, Class 30B
- Conforms to ASTM A48 / A48M-03 specifications
- \* Please specify if required in Class 35B or Ductile Iron



Fixed



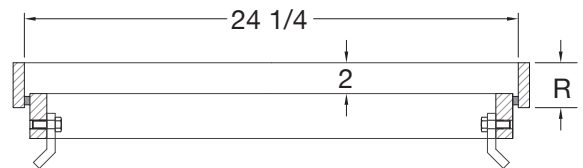
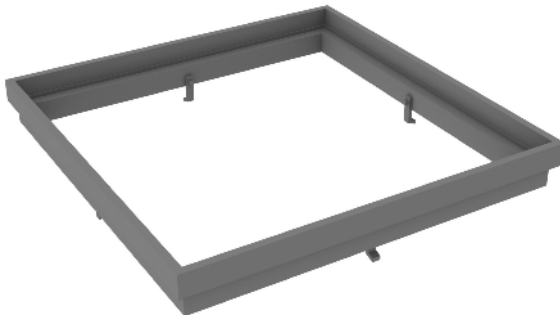
NOTES:

- Dimensions are approximate & in inches
- Steel
- Conforms to ASTM A36 specifications

RAISE

PRODUCT NO.	R
22310	1
22315	1-1/2
22320	2

Fixed



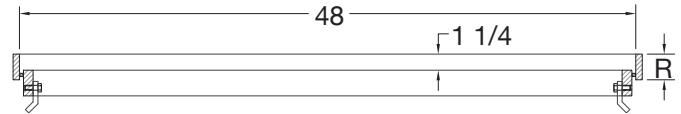
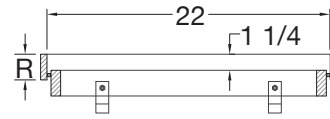
NOTES:

- Dimensions are approximate & in inches
- Steel
- Conforms to ASTM A36 specifications

RAISE

PRODUCT NO.	R
22410	1
22415	1-1/2
22420	2
22425	2-1/2
22430	3



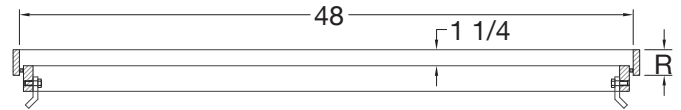
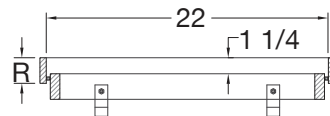


**NOTES:**

- Dimensions are approximate & in inches
- Steel
- Conforms to ASTM A36 specifications

RAISE

PRODUCT NO.	R
23405-10	1
23405-15	1-1/2
23405-20	2



**NOTES:**

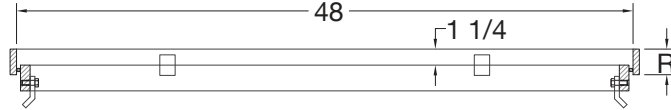
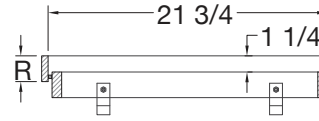
- Dimensions are approximate & in inches
- Steel
- Conforms to ASTM A36 specifications

RAISE

PRODUCT NO.	R
23408-10	1
23408-15	1-1/2
23408-20	2



Fixed



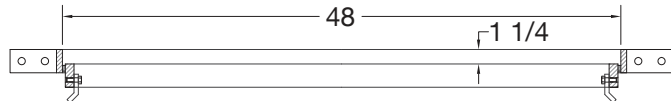
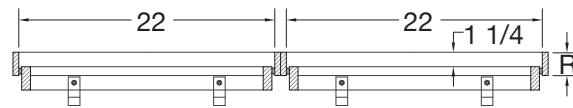
NOTES:

- Dimensions are approximate & in inches
- Steel
- Conforms to ASTM A36 specifications

RAISE

PRODUCT NO.	R
22617-10	1
22617-15	1-1/2
22617-20	2

Fixed



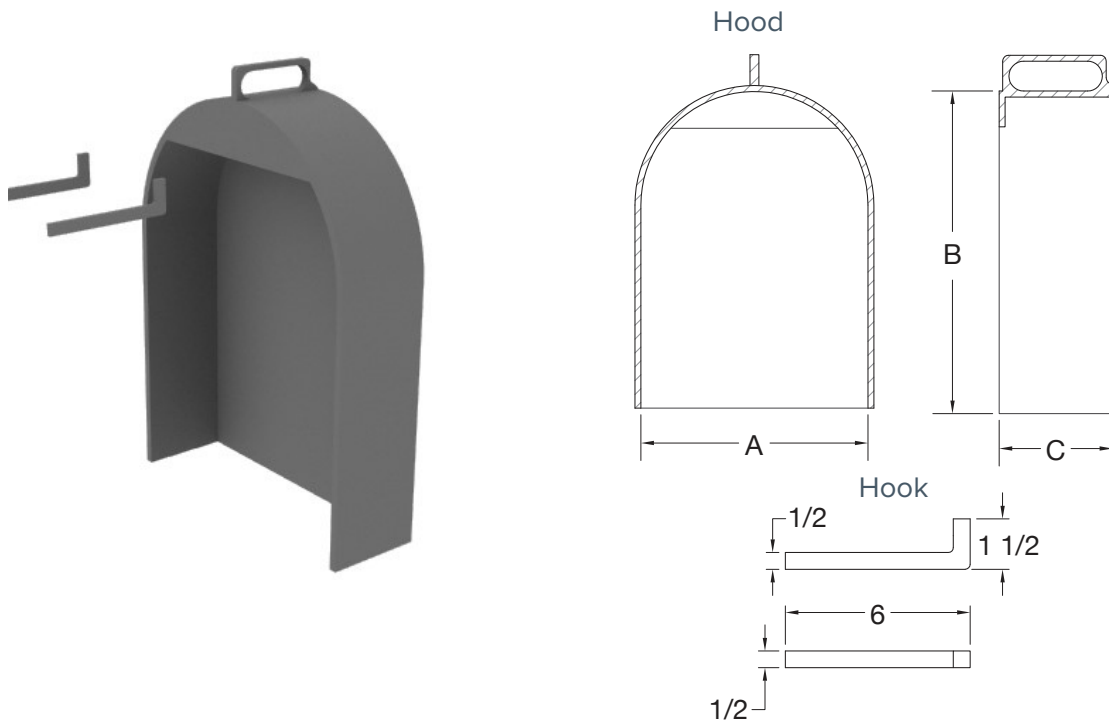
NOTES:

- Dimensions are approximate & in inches
- Steel
- Conforms to ASTM A36 specifications

RAISE

PRODUCT NO.	R
23425-10	1
23425-15	1-1/2
23425-20	2





PRODUCT NO.	A	B	C	PIPE OD
22561	10	16	5	6, 8
22563	15-3/4	26	7-1/4	10, 12
22564	18	27	9	12, 15
22565	20	27	10	18

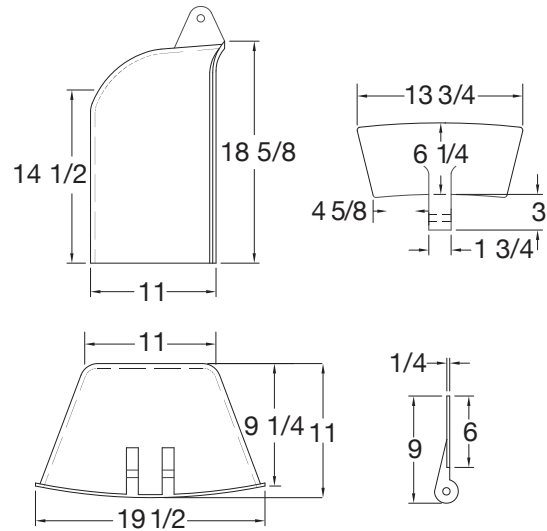
**NOTES:**

- Dimensions are approximate & in inches
- Gray Iron, Class 30B
- Conforms to ASTM A48 / A48M-03 specifications
- \* Please specify if required in Class 35B or Ductile Iron
- 2 hooks are required to install each hood





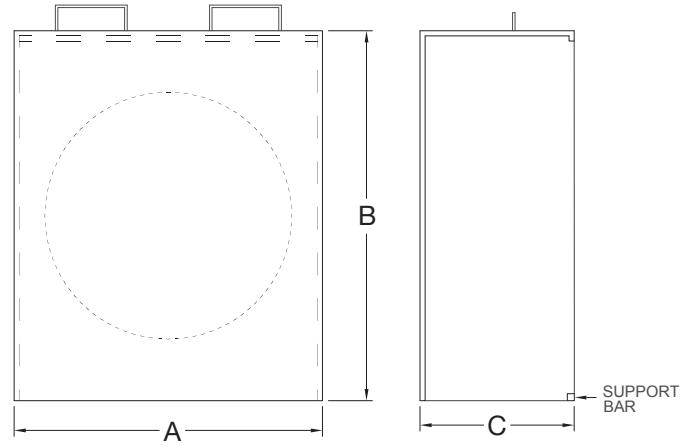
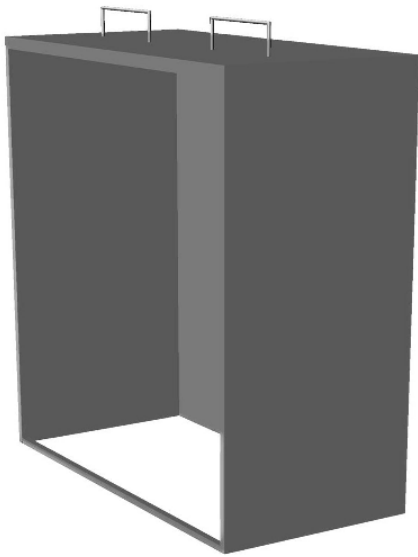
Mass Trap With Flap



PRODUCT NO.	PIPE OD
MATRP	12, 15

NOTES:

- Dimensions are approximate & in inches
- Gray Iron, Class 30B
- Conforms to ASTM A48 / A48M-03 specifications
- \* Please specify if required in Class 35B or Ductile Iron

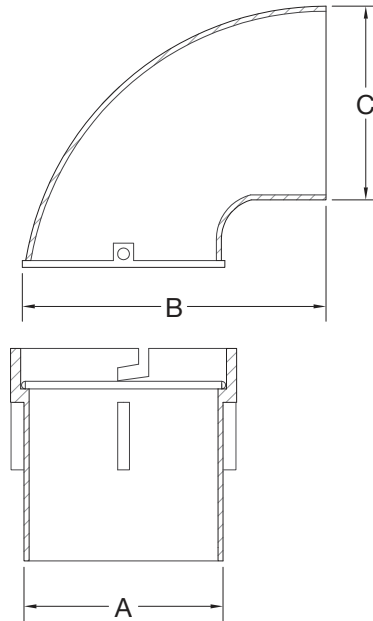


PRODUCT NO.	A	B	C	PIPE OD
FBT24	30	36	15	24
FBT30	36	42	20	30

**NOTES:**

- Dimensions are approximate & in inches
- Conforms to ASTM A36
- Coating: Painted black or galvanized (please specify)

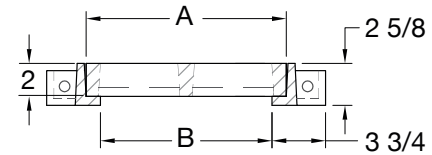
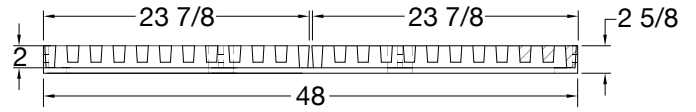




PRODUCT NO.	A	B	C	PIPE OD
OGT08	7-1/4	14	7-1/4	8
OGT12	11-1/4	18	11-1/4	12
OGT18	14-1/4	22-1/2	14-1/4	15

**NOTES:**

- Dimensions are approximate & in inches
- Gray Iron, Class 30B
- Conforms to ASTM A48 / A48M-03 specifications
- \* Please specify if required in Class 35B or Ductile Iron

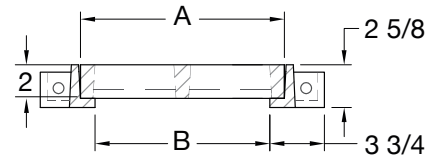
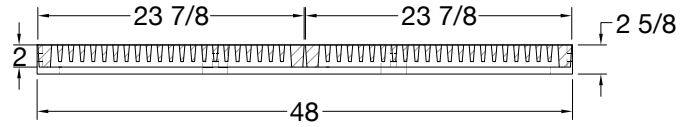


PRODUCT NO.	GRATE DIMENSION	CLEAR OPENING
	A	B
21224	12	9-3/4
21424	14	11-3/4
22024	20	17-3/4
22424	24	21-3/4
22624	26	23-3/4

**NOTES:**

- Dimensions are approximate & in inches
- Gray Iron, Class 30B
- Conforms to ASTM A48 / A48M-03 specifications
- \* Please specify if required in Class 35B or Ductile Iron





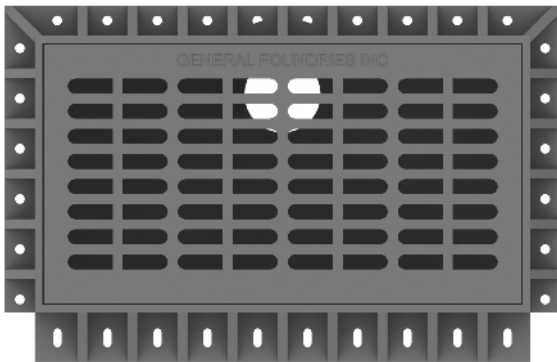
PRODUCT NO.	GRATE DIMENSION		CLEAR OPENING
	A	B	
21229	12		9-3/4
21429	14		11-3/4
22029	20		17-3/4
22429	24		21-3/4
22629	26		23-3/4

**NOTES:**

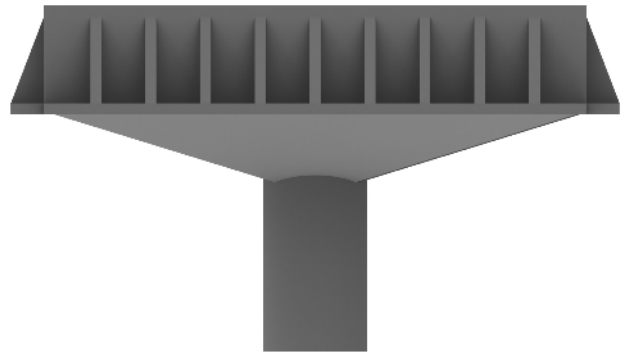
- Dimensions are approximate & in inches
- Gray Iron, Class 30B
- Conforms to ASTM A48 / A48M-03 specifications
- \* Please specify if required in Class 35B or Ductile Iron



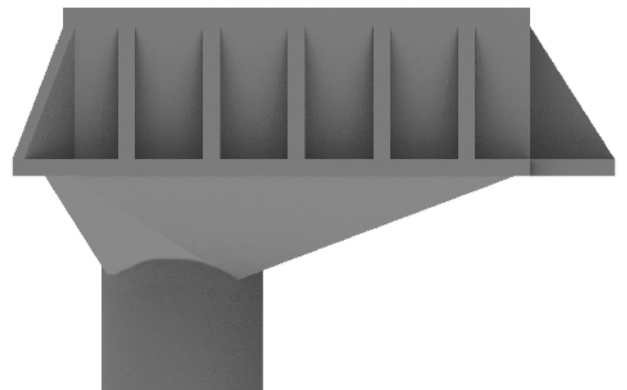
Plan



Front Elevation



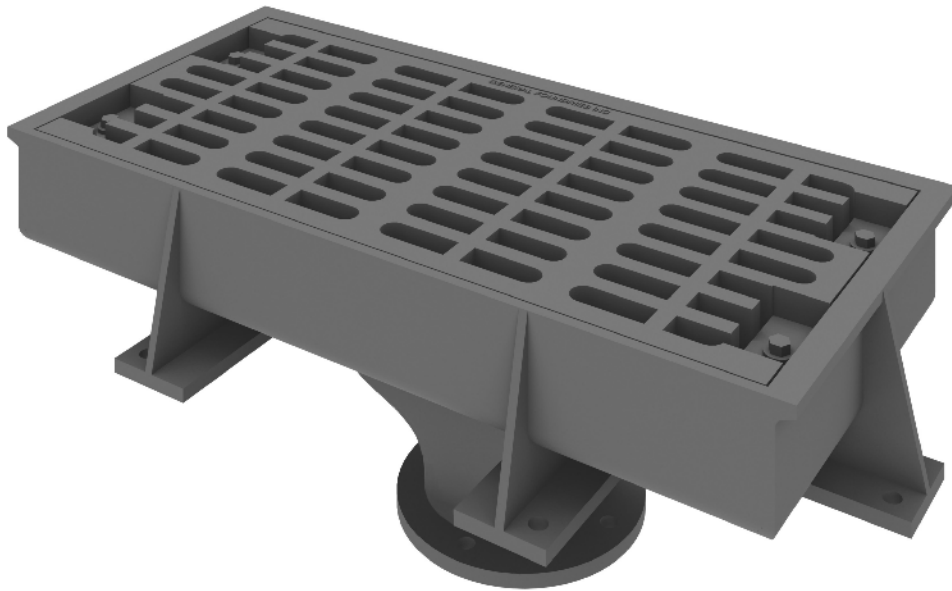
Side Elevation



**NOTES:**

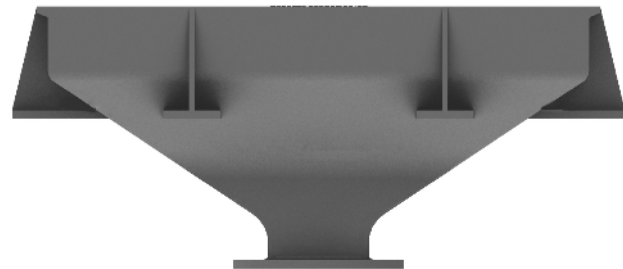
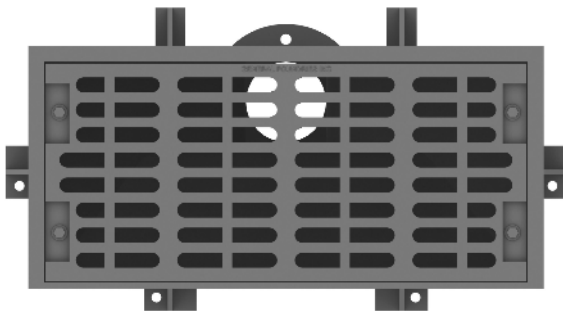
- Dimensions are approximate & in inches
- Available in Gray Iron, Ductile Iron, or Steel (please specify)
- Various sizes available (please specify)



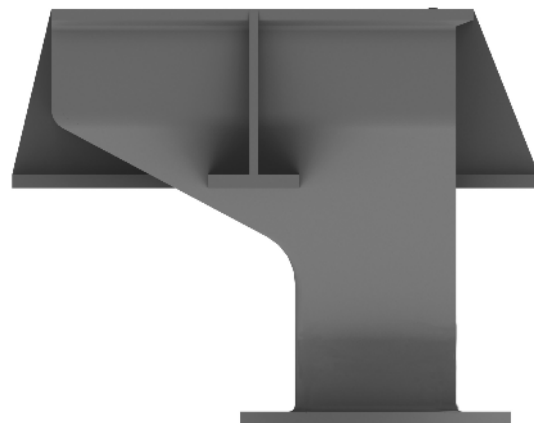


Plan

Front Elevation



Side Elevation

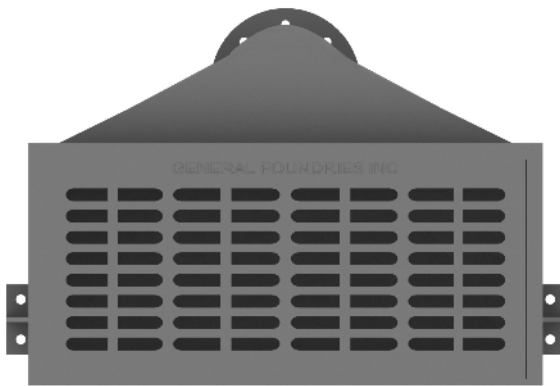


**NOTES:**

- Dimensions are approximate & in inches
- Available in Gray Iron, Ductile Iron, or Steel (please specify)
- Various sizes available (please specify)



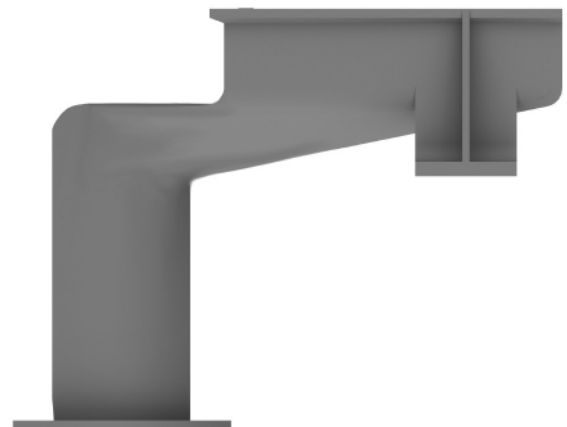
Plan



Front Elevation



Side Elevation



**NOTES:**

- Dimensions are approximate & in inches
- Available in Gray Iron, Ductile Iron, or Steel (please specify)
- Various sizes available (please specify)





## Boxes

### Cleanout / Monument Boxes

Light Duty	BX1 - BX3
Light Duty, Bolted	BX3
Heavy Duty	BX4 - BX6
Heavy Duty, Bolted	BX5

### Valve Boxes

Slip Type (Complete)	BX7
Screw Type (Complete)	BX8 - BX9
Lids	BX10 - BX11
Risers	BX12 - BX13
Extensions	BX14
Adapters	BX15

### Roadway Boxes

Slip Type (Complete)	BX16
Screw Type (Complete)	BX17
Risers	BX16
Extensions	BX16 - BX17
Adapters	BX15

### Service Boxes

Slip Type (Complete)	BX18
Screw Type (Complete)	BX19 - BX20
Risers	BX21
Extensions	BX18 - BX20
Repair Lids	BX22

<b>Minneapolis Boxes</b>	BX22
Repair Lids	BX23

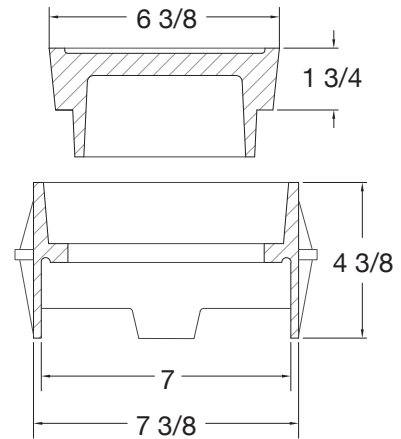
<b>Erie / Arch Boxes</b>	BX25 - BX27
--------------------------	-------------

<b>Stationary Rods, Centering Ring</b>	BX28
--	------

### Meter Box Covers

C Style	BX29
A Style	BX30
W Style	BX31
Monitor Style	BX32 - BX33
Lid for Plastic Frame	BX34 - BX35
Rectangular	BX35 - BX36
Oval	BX37

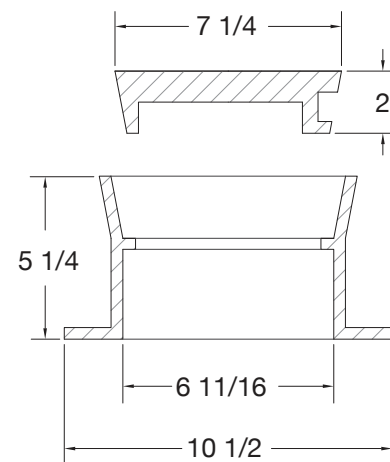




**NOTES:**

- Dimensions are approximate & in inches
- Gray Iron, Class 30B
- Conforms to ASTM A48 / A48M-03 specifications
  - \* Please specify if required in Class 35B or Ductile Iron
- Markings: Plain, Fire, Gas, Open left arrow, Open right arrow, Sewer, Water
  - \* Custom markings / logos available upon request

<b>PRODUCT NO.</b>
<b>17041</b>



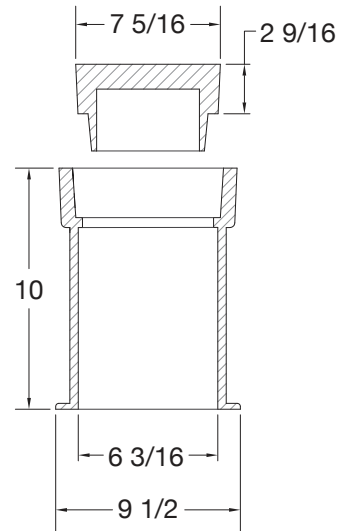
**NOTES:**

- Dimensions are approximate & in inches
- Gray Iron, Class 30B
- Conforms to ASTM A48 / A48M-03 specifications
  - \* Please specify if required in Class 35B or Ductile Iron
- Markings: Plain, Fire, Gas, Open left arrow, Open right arrow, Sewer, Water
  - \* Custom markings / logos available upon request

<b>PRODUCT NO.</b>
<b>17051</b>



Light Duty



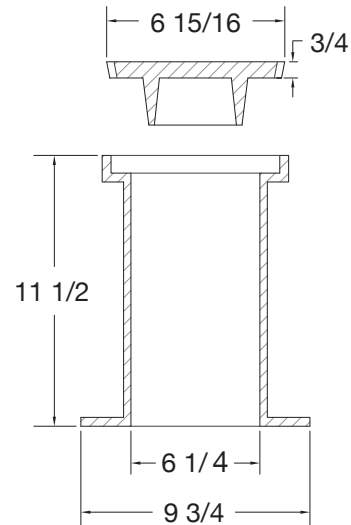
NOTES:

- Dimensions are approximate & in inches
- Gray Iron, Class 30B
- Conforms to ASTM A48 / A48M-03 specifications
  - \* Please specify if required in Class 35B or Ductile Iron
- Markings: Plain, Fire, Gas, Open left arrow, Open right arrow, Sewer, Water
  - \* Custom markings / logos available upon request

PRODUCT NO.

17101

Light Duty



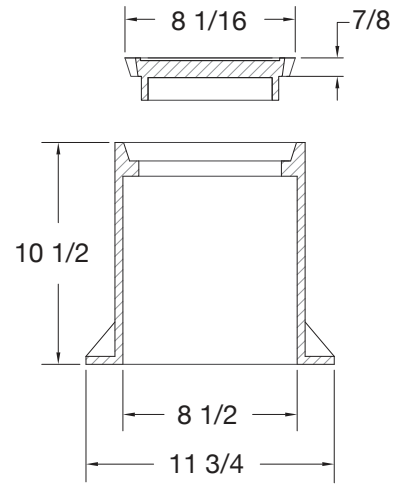
NOTES:

- Dimensions are approximate & in inches
- Gray Iron, Class 30B
- Conforms to ASTM A48 / A48M-03 specifications
  - \* Please specify if required in Class 35B or Ductile Iron
- Markings: CO
  - \* Custom markings / logos available upon request

PRODUCT NO.

10711



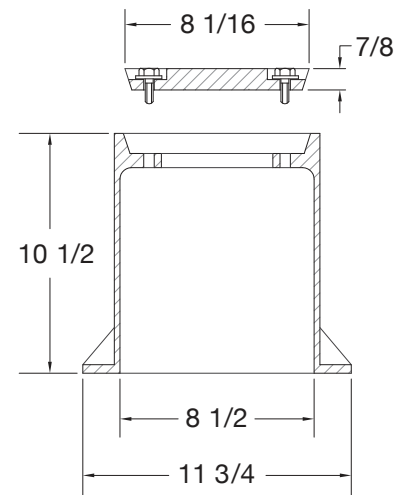


**NOTES:**

- Dimensions are approximate & in inches
- Gray Iron, Class 30B
- Conforms to ASTM A48 / A48M-03 specifications
  - \* Please specify if required in Class 35B or Ductile Iron
- Markings: Plain, Cleanout, Sewer, Water
  - \* Custom markings / logos available upon request

<b>PRODUCT NO.</b>
<b>18111</b>

**Bolted**



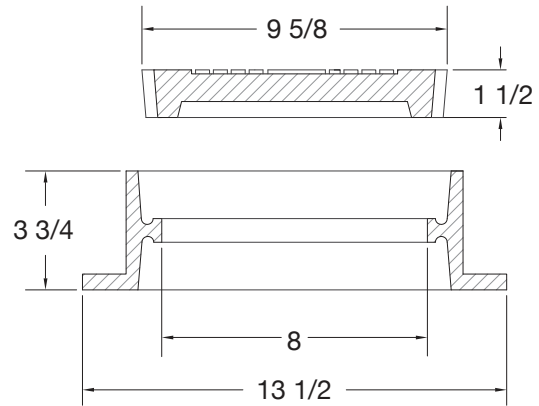
**NOTES:**

- Dimensions are approximate & in inches
- Gray Iron, Class 30B
- Conforms to ASTM A48 / A48M-03 specifications
  - \* Please specify if required in Class 35B or Ductile Iron
- Markings: Plain, Cleanout, Sewer, Water
  - \* Custom markings / logos available upon request

<b>PRODUCT NO.</b>
<b>18116</b>



Heavy Duty



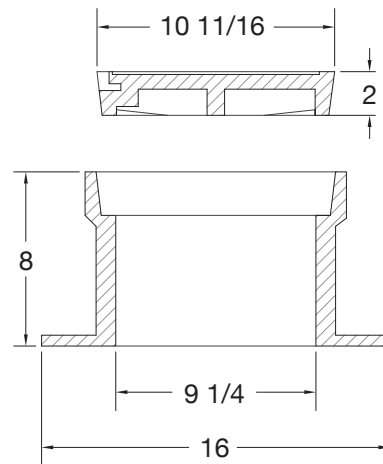
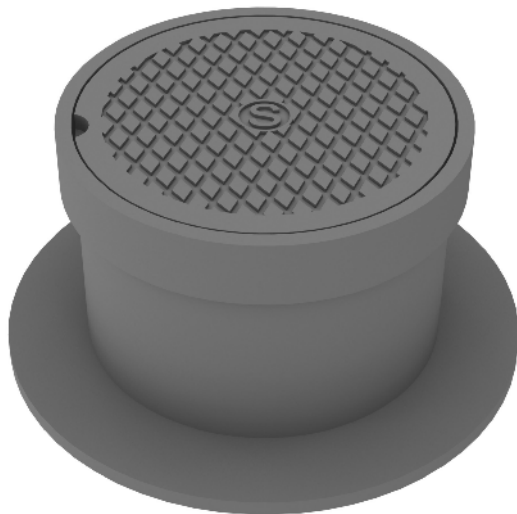
NOTES:

- Dimensions are approximate & in inches
- Gray Iron, Class 30B
- Conforms to ASTM A48 / A48M-03 specifications
  - \* Please specify if required in Class 35B or Ductile Iron
- Markings: Plain, D, S
  - \* Custom markings / logos available upon request

PRODUCT NO.

11041

Heavy Duty

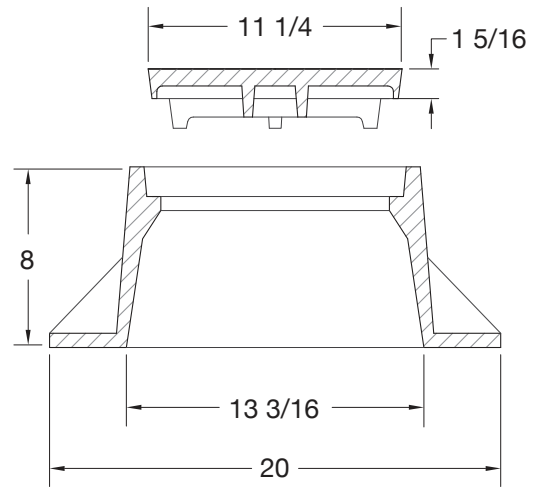


NOTES:

- Dimensions are approximate & in inches
- Gray Iron, Class 30B
- Conforms to ASTM A48 / A48M-03 specifications
  - \* Please specify if required in Class 35B or Ductile Iron
- Markings: Plain, Cleanout, Sewer
  - \* Custom markings / logos available upon request

PRODUCT NO.

11081

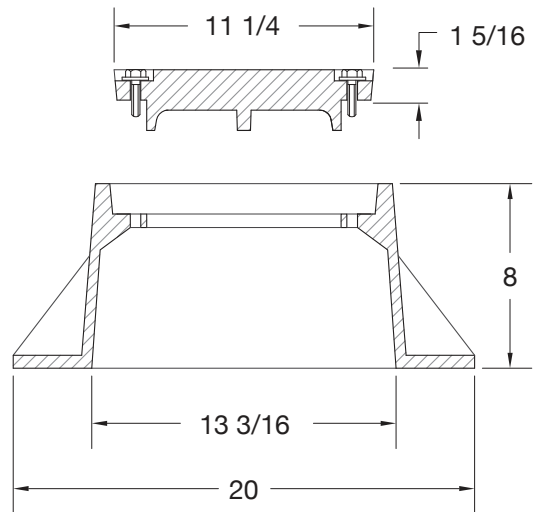


**NOTES:**

- Dimensions are approximate & in inches
- Gray Iron, Class 30B
- Conforms to ASTM A48 / A48M-03 specifications
  - \* Please specify if required in Class 35B or Ductile Iron
- Markings: Plain, Cleanout, Sewer
  - \* Custom markings / logos available upon request

<b>PRODUCT NO.</b>
<b>11181</b>

**Bolted**

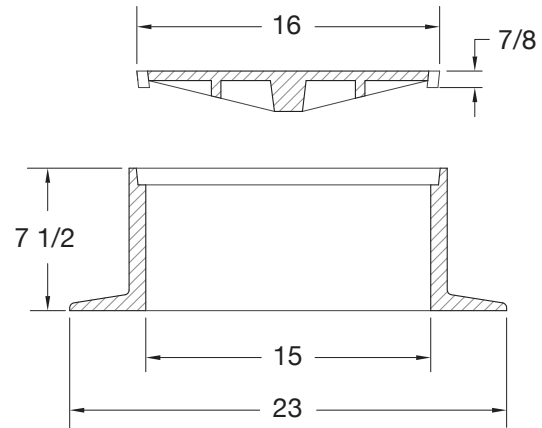
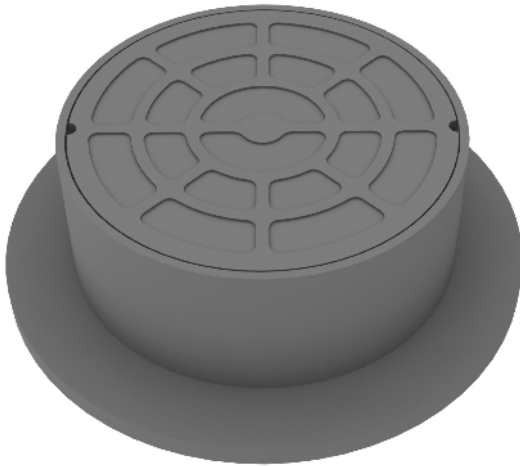


**NOTES:**

- Dimensions are approximate & in inches
- Gray Iron, Class 30B
- Conforms to ASTM A48 / A48M-03 specifications
  - \* Please specify if required in Class 35B or Ductile Iron
- Markings: Plain, Cleanout, Sewer
  - \* Custom markings / logos available upon request

<b>PRODUCT NO.</b>
<b>11186</b>



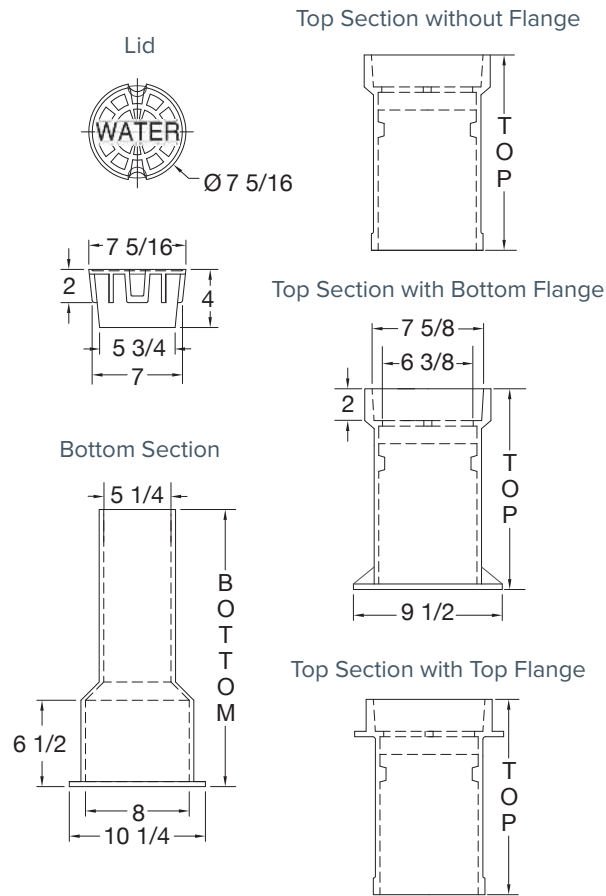


PRODUCT NO.

11671

**NOTES:**

- Dimensions are approximate & in inches
- Gray Iron, Class 30B
- Conforms to ASTM A48 / A48M-03 specifications
  - \* Please specify if required in Class 35B or Ductile Iron
- Markings: Plain, S
  - \* Custom markings / logos available upon request



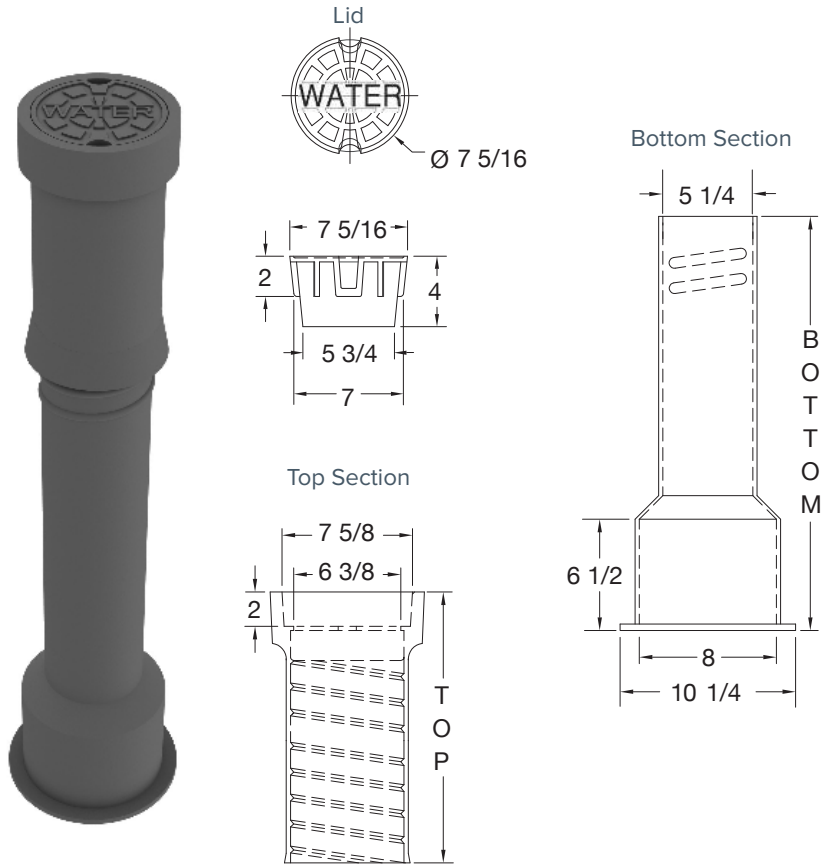
PRODUCT NO.	TOP	BOTTOM	RANGE
30461	10	15	20 - 24
30462	10	24	28 - 33
30562	16	24	28 - 38
30564	16	36	40 - 51
30664	26	36	40 - 61
30666	26	48	52 - 82
30668	26	60	63 - 83
30669	36	36	50 - 80

**NOTES:**

- Dimensions are approximate & in inches
- Gray Iron, Class 30B
- Conforms to ASTM A48 / A48M-03 specifications
  - \* Please specify if required in Class 35B or Ductile Iron
- Markings: Plain, Fire, Gas, Open left arrow, Open right arrow, Sewer, Water
- Sewer, Water lids available with locks
  - \* Custom markings / logos available upon request
- Product # 30669 top only available without flange



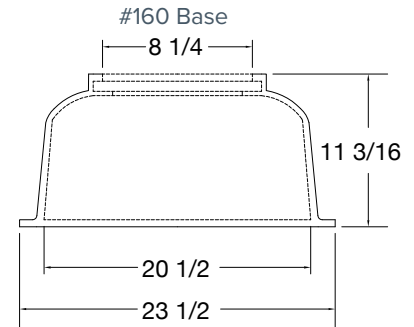
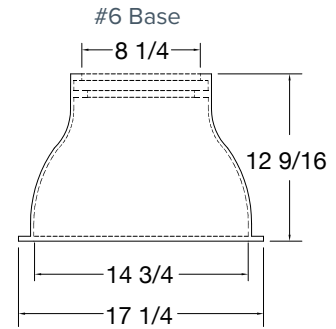
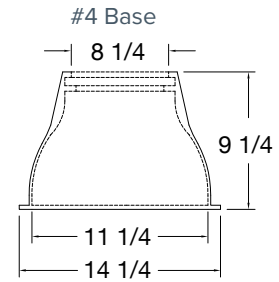
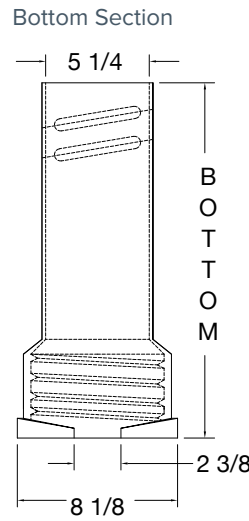
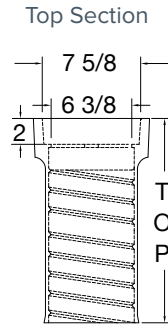
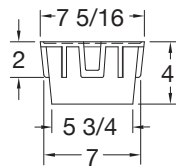
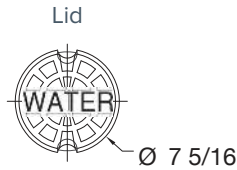




PRODUCT NO.	TOP	BOTTOM	RANGE
32461	10	15	19 - 22
32462	10	24	27 - 32
32562	16	24	27 - 37
32563	16	30	33 - 43
32564	16	36	39 - 50
32662	26	30	36 - 52
32664	26	36	39 - 60
32666	26	48	51 - 71
32668	26	60	62 - 82

**NOTES:**

- Dimensions are approximate & in inches
- Gray Iron, Class 30B
- Conforms to ASTM A48 / A48M-03 specifications
  - \* Please specify if required in Class 35B or Ductile Iron
- Markings: Plain, Fire, Gas, Open left arrow, Open right arrow, Sewer, Water
- Sewer, Water lids available with locks
  - \* Custom markings / logos available upon request



PRODUCT NO.	TOP	BOTTOM	RANGE
340AA	10	14	27 - 31
340A0	16	18	33 - 42
340B0	16	24	39 - 49
340C0	16	30	45 - 54
340CC	16	36	51 - 60
340D0	26	30	45 - 66
340DD	26	36	51 - 72
340E0	16	48	63 - 72
340F0	26	48	63 - 84
340G0	26	60	74 - 94

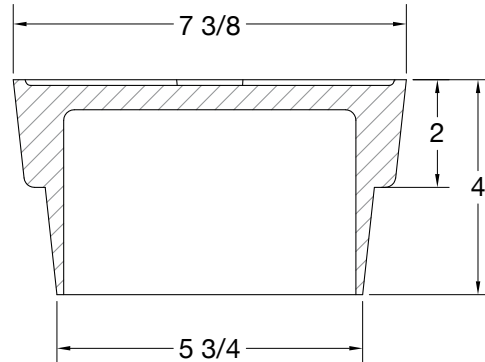
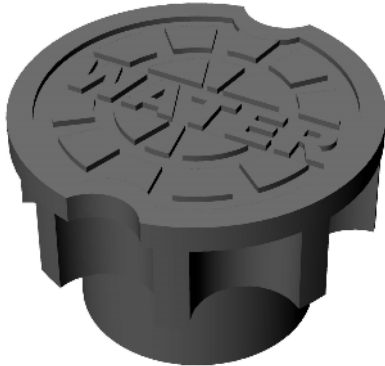
PRODUCT NO.	EQUIVALENT
30004	#4 Base
30006	#6 Base
30160	#160 Base

**NOTES:**

- Dimensions are approximate & in inches
- Gray Iron, Class 30B
- Conforms to ASTM A48 / A48M-03 specifications
  - \* Please specify if required in Class 35B or Ductile Iron
- Markings: Plain, Fire, Gas, Open left arrow, Open right arrow, Sewer, Water
- Sewer, Water lids available with locks
  - \* Custom markings / logos available upon request
- Product #30006 is the standard base for 3 piece boxes
- Range dimensions specified above include product #30006 (#6 base)



Lid (Standard)

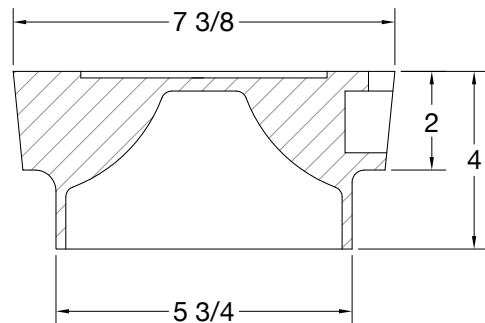


NOTES:

- Dimensions are approximate & in inches
- Heavy duty
- Gray Iron, Class 30B
  - \* Please specify if required in Class 35B or Ductile Iron
- Markings: See page BX-11
  - \* Custom markings / logos available upon request

PRODUCT NO.
VBLIDL

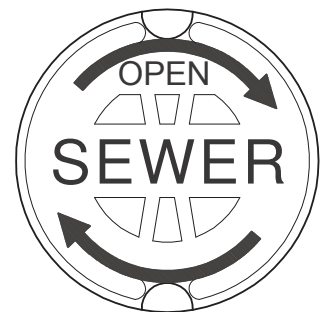
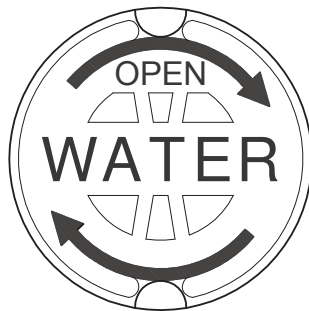
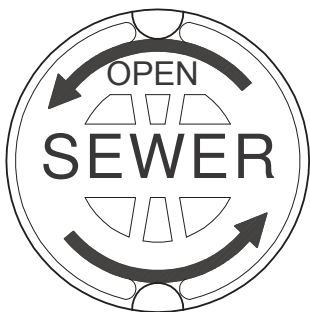
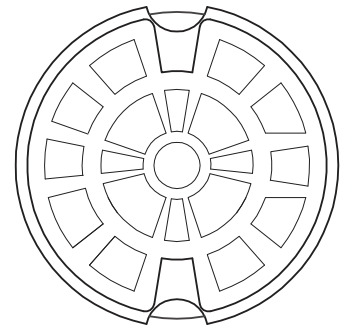
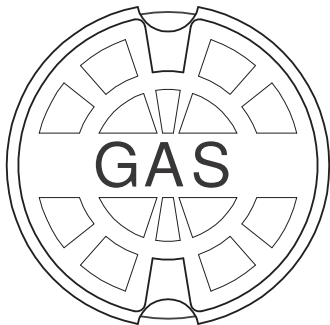
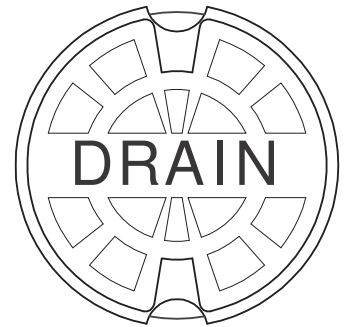
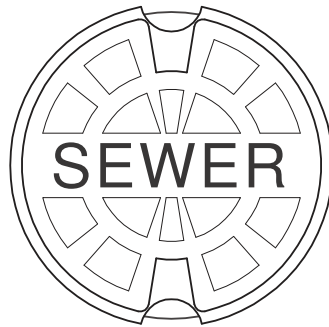
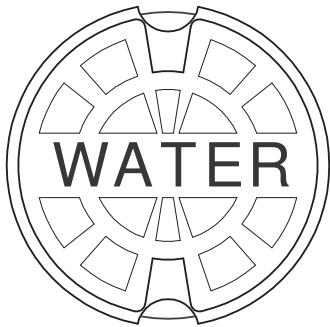
Lid (Heavy)

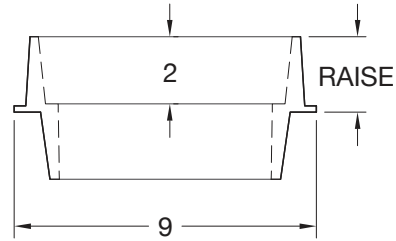


NOTES:

- Dimensions are approximate & in inches
- Heavy duty
- Gray Iron, Class 30B
  - \* Please specify if required in Class 35B or Ductile Iron
- Markings: See page BX-11
  - \* Custom markings / logos available upon request

PRODUCT NO.
VBLIDH



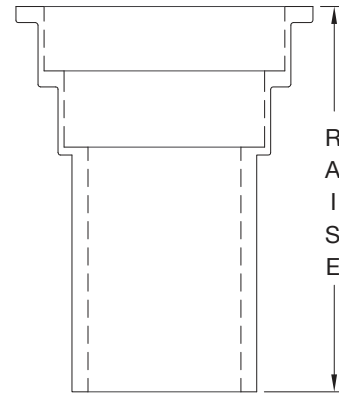
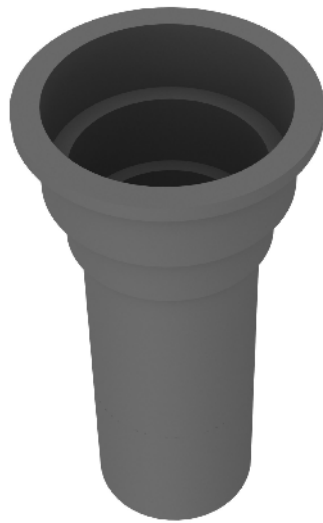


PRODUCT NO.	RAISE
30210	1
30215	1-1/2
30220	2
30225	2-1/2
30230	3
30240	4
30260	6
30280	8
30300	10
30320	12

**NOTES:**

- Dimensions are approximate & in inches
- Gray Iron, Class 30B
- Conforms to ASTM A48 / A48M-03 specifications
- \* Please specify if required in Class 35B or Ductile Iron

## Risers, Adjustable Slip Type

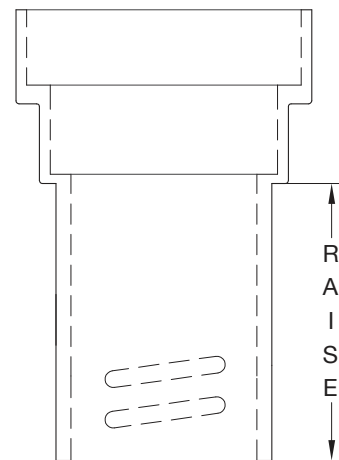


**NOTES:**

- Dimensions are approximate & in inches
- Gray Iron, Class 30B
- Conforms to ASTM A48 / A48M-03 specifications
- \* Please specify if required in Class 35B or Ductile Iron

PRODUCT NO.	RAISE
30012	12
30018	18
30024	24

## Risers, Adjustable Screw Type

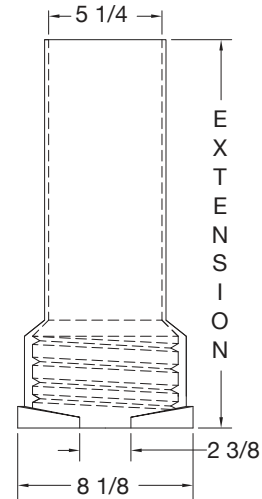


**NOTES:**

- Dimensions are approximate & in inches
- Gray Iron, Class 30B
- Conforms to ASTM A48 / A48M-03 specifications
- \* Please specify if required in Class 35B or Ductile Iron

PRODUCT NO.	RAISE
32012	12
32018	18
32024	24

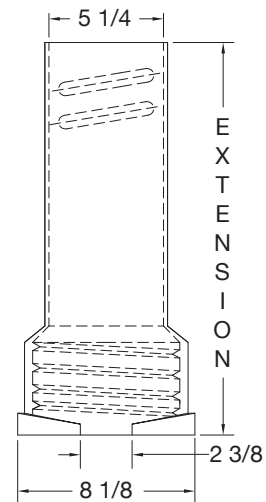




**NOTES:**

- Dimensions are approximate & in inches
- Gray Iron, Class 30B
- Conforms to ASTM A48 / A48M-03 specifications
- \* Please specify if required in Class 35B or Ductile Iron

PRODUCT NO.	EXTENSION
31014	18
31018	24
31024	30

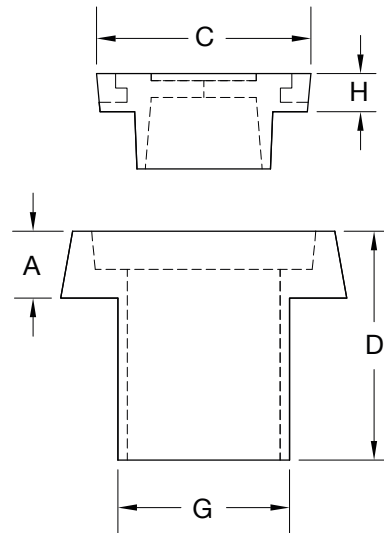


**NOTES:**

- Dimensions are approximate & in inches
- Gray Iron, Class 30B
- Conforms to ASTM A48 / A48M-03 specifications
- \* Please specify if required in Class 35B or Ductile Iron

PRODUCT NO.	EXTENSION
33010	14
33014	18
33018	24
33024	30
33030	36



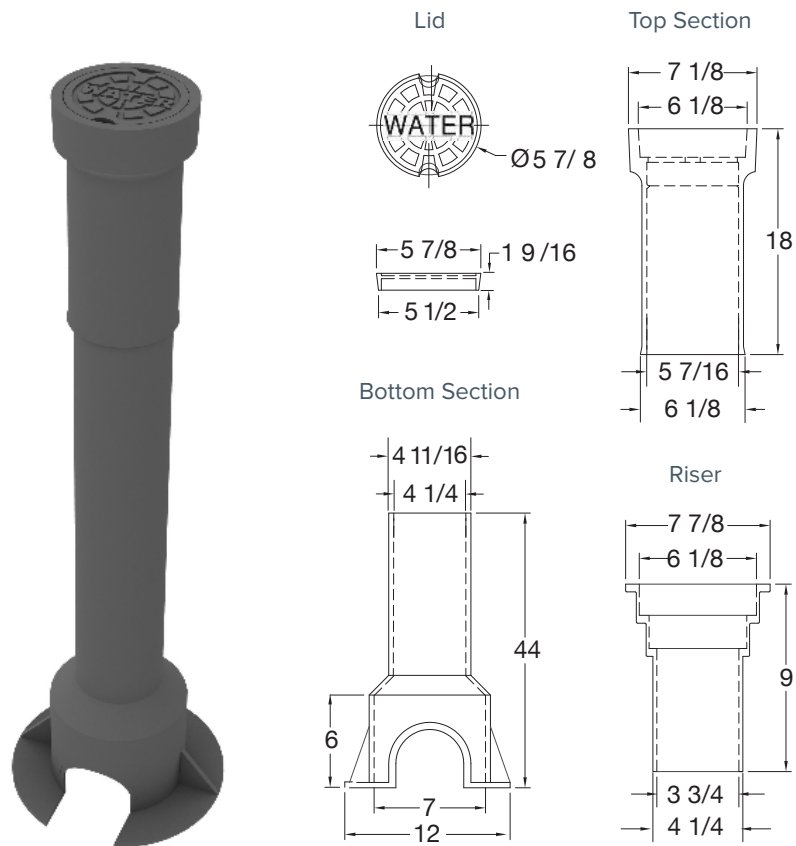


PRODUCT NO.	A	C	D	G	H	TYPE	BOX
30F01	1	5-3/4	6	5-1/2	1	FIXED	VALVE
30S10	1-3/4	5-5/8	6	4-1/2	1	ADJUSTABLE	ROADWAY
30S11	1-3/4	5-5/8	12	4-1/2	1	ADJUSTABLE	ROADWAY
30S20	1-3/4	6-3/8	6	5-1/4	1	ADJUSTABLE	VALVE
30S21	1-3/4	6-3/8	12	5-1/4	1	ADJUSTABLE	VALVE
30S22	1-3/4	6-3/8	18	5-1/4	1	ADJUSTABLE	VALVE

**NOTES:**

- Dimensions are approximate & in inches
- Gray Iron, Class 30B
- Conforms to ASTM A48 / A48M-03 specifications
- \* Please specify if required in Class 35B or Ductile Iron
- Markings: Gas, Water
- \* Custom markings / logos available upon request





### Roadway Box

PRODUCT NO.	TOP	BOTTOM	RANGE
38145R	18	44	49 - 62

### Roadway Box Riser

PRODUCT NO.	RANGE
39009	2 - 6

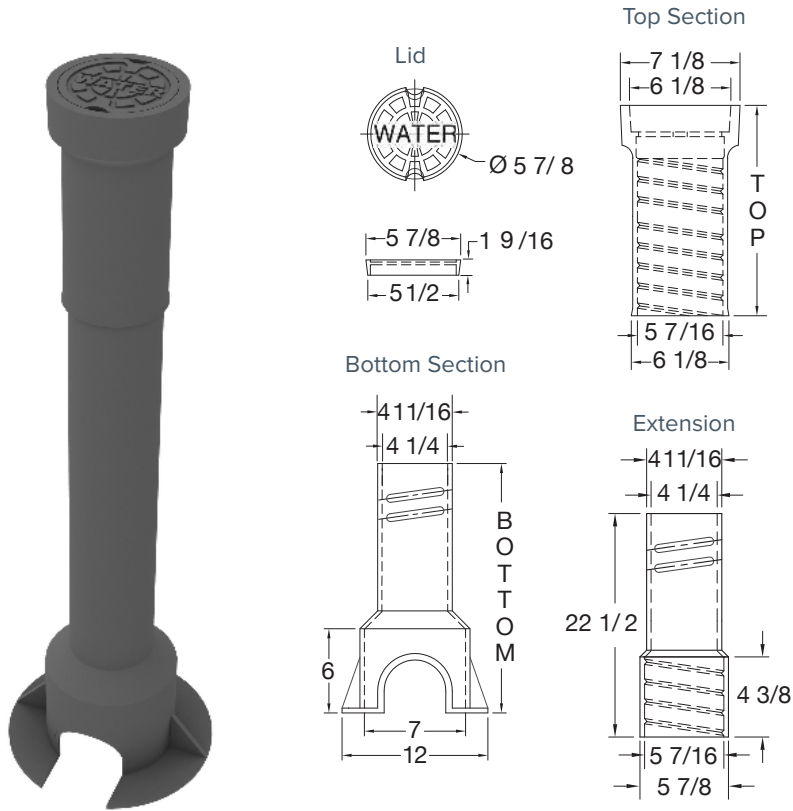
### Roadway Box Extension

PRODUCT NO.	RANGE
38049	5 - 18

#### NOTES:

- Dimensions are approximate & in inches
- Gray Iron, Class 30B
- Conforms to ASTM A48 / A48M-03 specifications
  - \* Please specify if required in Class 35B or Ductile Iron
- Markings: Sewer, Water
  - \* Custom markings / logos available upon request





Roadway Box

PRODUCT NO.	TOP	BOTTOM	RANGE
39143R	18	34	36 - 48
39144R	18	40	42 - 54
39145R	18	44	49 - 62

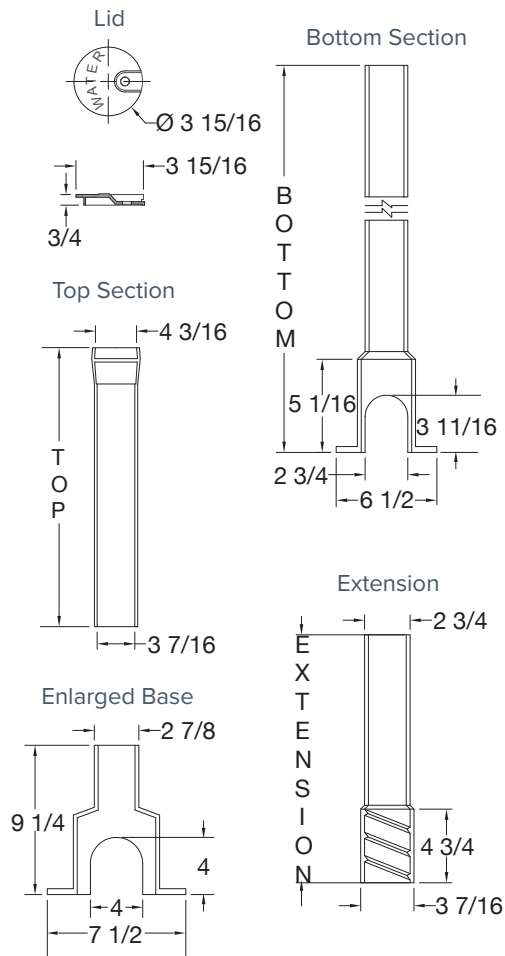
Roadway Box Extension

PRODUCT NO.	RANGE
39049	5 - 18

NOTES:

- Dimensions are approximate & in inches
- Gray Iron, Class 30B
- Conforms to ASTM A48 / A48M-03 specifications
  - \* Please specify if required in Class 35B or Ductile Iron
- Markings: Sewer, Water
  - \* Custom markings / logos available upon request





### Service Box

PRODUCT NO.	TOP	BOTTOM	RANGE
36094E	25	39	42 - 60
36095E	25	47	41 - 64
36100E	25	60	54 - 72

### Extension

PRODUCT NO.	RANGE
36151	9
36152	16
36153	28

### Enlarged Base

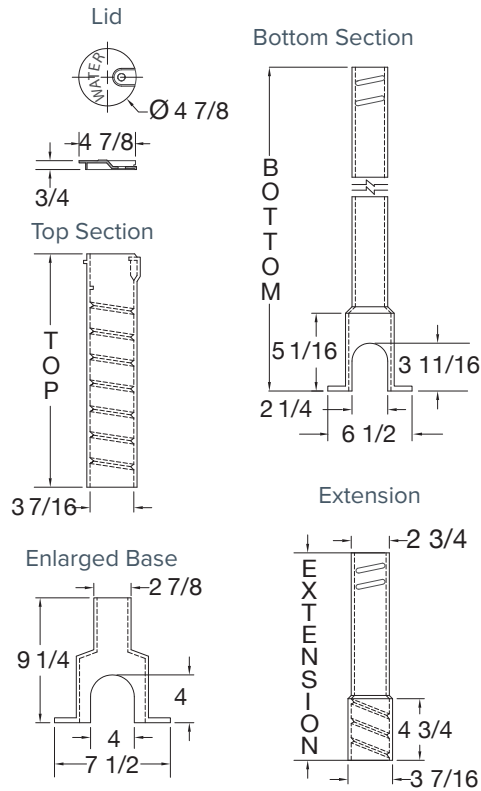
PRODUCT NO.	HEIGHT INCREASE
36500	6

#### NOTES:

- Dimensions are approximate & in inches
- Gray Iron, Class 30B
- Conforms to ASTM A48 / A48M-03 specifications
  - \* Please specify if required in Class 35B or Ductile Iron
- Markings: Gas, Sewer, Water
  - \* Custom markings / logos available upon request



Screw Type



Service Box

PRODUCT NO.	TOP	BOTTOM	RANGE
37092D	18	27	30 - 42
37093D	18	33	36 - 48
37093E	24	33	36 - 54
37094E	24	39	42 - 60
37095E	30	39	41 - 64
37100E	24	50	54 - 72
37100F	30	50	54 - 78

Extension

PRODUCT NO.	RANGE
37151	9
37152	16
37153	28
37154	30

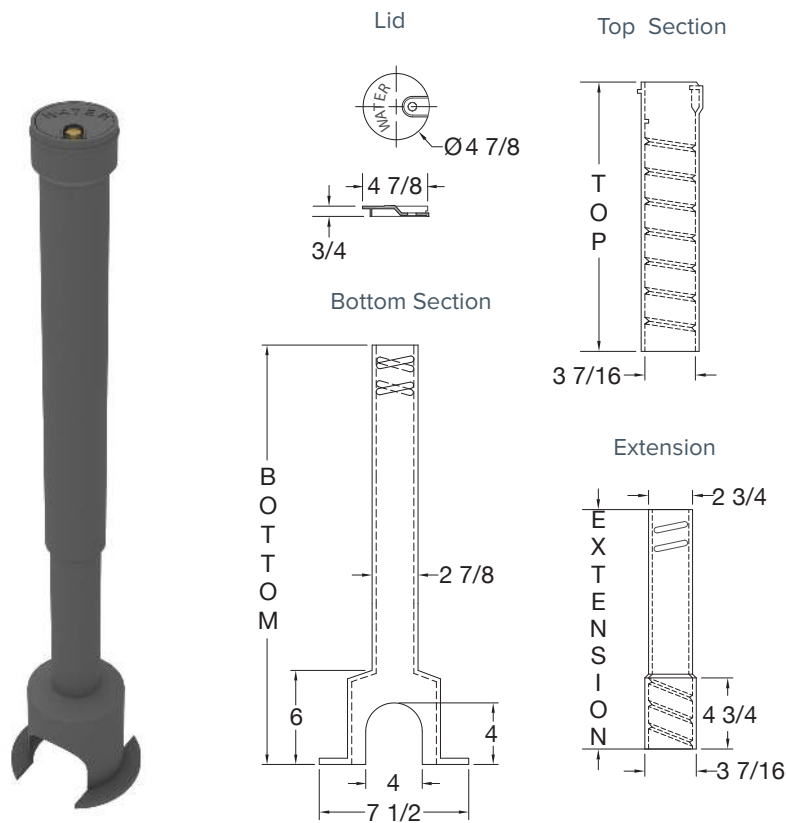
Enlarged Base

PRODUCT NO.	HEIGHT INCREASE
36500	6

NOTES:

- Dimensions are approximate & in inches
- Gray Iron, Class 30B
- Conforms to ASTM A48 / A48M-03 specifications
  - \* Please specify if required in Class 35B or Ductile Iron
- Markings: Gas, Sewer, Water
  - \* Custom markings / logos available upon request





### Service Box

PRODUCT NO.	TOP	BOTTOM	RANGE
38093E	18	39	36 - 54
38094E	24	39	42 - 60
38095E	30	39	41 - 64

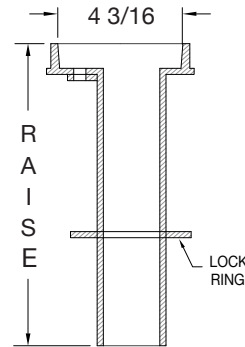
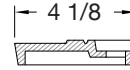
### Extension

PRODUCT NO.	RANGE
37151	9
37152	16
37153	28
37154	30

#### NOTES:

- Dimensions are approximate & in inches
- Gray Iron, Class 30B
- Conforms to ASTM A48 / A48M-03 specifications
  - \* Please specify if required in Class 35B or Ductile Iron
- Markings: Gas, Sewer, Water
  - \* Custom markings / logos available upon request



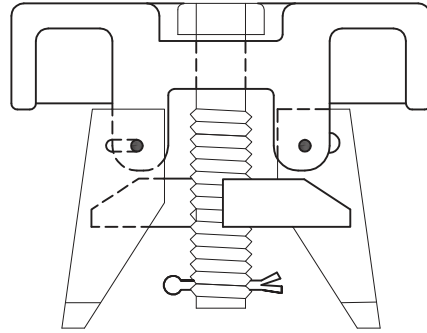
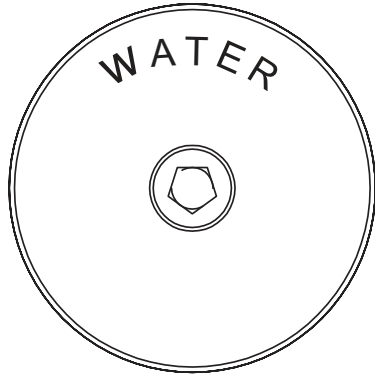


PRODUCT NO.	RAISE
37012	12
37018	18
37024	24

**NOTES:**

- Dimensions are approximate & in inches
- Gray Iron, Class 30B
- Conforms to ASTM A48 / A48M-03 specifications
  - \* Please specify if required in Class 35B or Ductile Iron
- Markings: Gas, Sewer, Water
  - \* Custom markings / logos available upon request



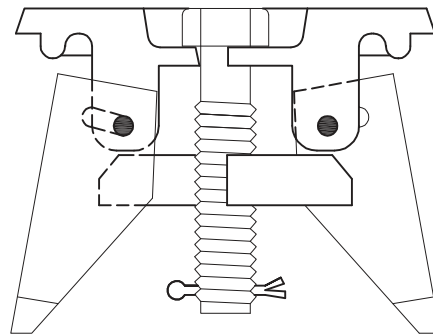
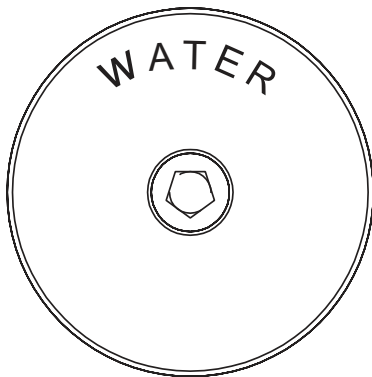


**NOTES:**

- Gray Iron, Class 30B
- Conforms to ASTM A48 / A48M-03 specifications
  - \* Please specify if required in Class 35B or Ductile Iron
- Markings: Sewer, Water
  - \* Custom markings / logos available upon request

**PRODUCT NO.**

**36700**

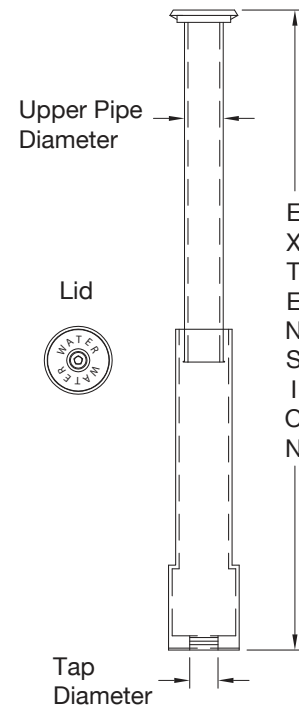


**NOTES:**

- Gray Iron, Class 30B
- Conforms to ASTM A48 / A48M-03 specifications
  - \* Please specify if required in Class 35B or Ductile Iron
- Markings: Sewer, Water
  - \* Custom markings / logos available upon request

**PRODUCT NO.**

**36701**



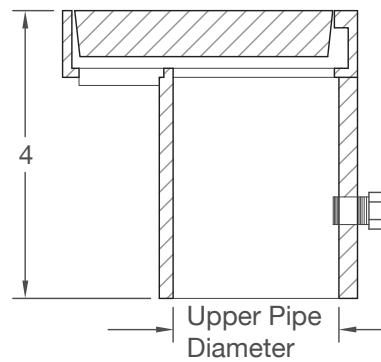
UP. PIPE DIA:	1-1/4	1-1/4	1-1/2	
BASE TAP:	1-1/2	2	2	RANGE / BURY
<b>PRODUCT NO.</b>	<b>PRODUCT NO.</b>	<b>PRODUCT NO.</b>	<b>EXTENSION</b>	
45048	46048	47048	3 - 4	
45054	46054	47054	3-1/2 - 4-1/2	
45060	46060	47060	4 - 5	
45066	46066	47066	4-1/2 - 5-1/2	
45072	46072	47072	5 - 6	
45078	46078	47078	5-1/2 - 6-1/2	
45084	46084	47084	6 - 7	
45090	46090	47090	6-1/2 - 7-1/2	
45096	46096	47096	7 - 8	

**NOTES:**

- Dimensions are approximate & in inches
- Cap & Base: Gray Iron, Class 30B
- Conforms to ASTM A48 / A48M-03 specifications
  - \* Please specify in required in Class 35B or Ductile Iron
- Upper Pipe: Steel
- Conforms to ASTM A36 specifications
- Markings: Water
  - \* Custom markings / logos available upon request



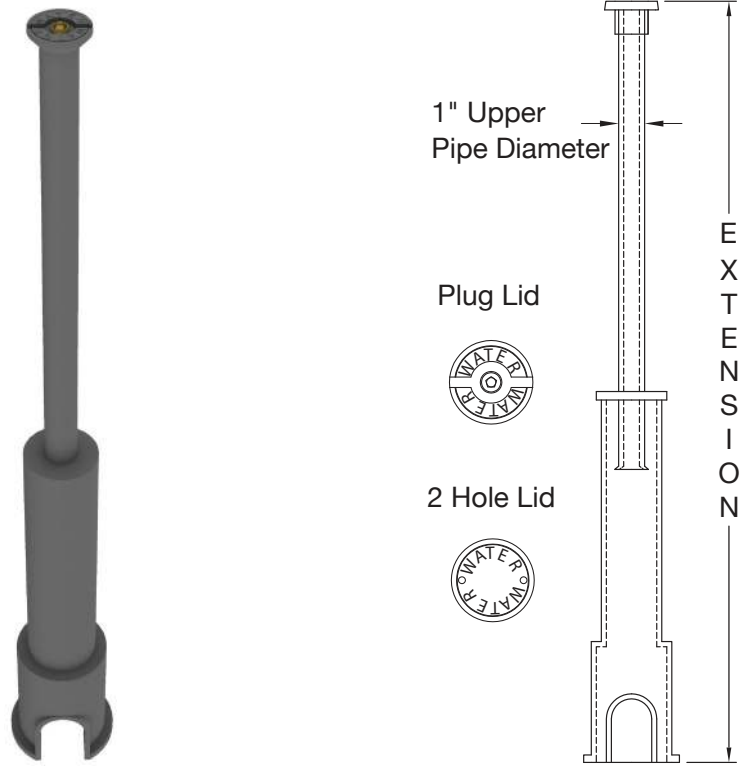




PRODUCT NO.	UPPER PIPE DIAMETER
4W125	1-1/4
4W150	1-1/2
4W200	2

**NOTES:**

- Dimensions are approximate & in inches
- Gray Iron, Class 35B
- Conforms to ASTM A48 / A48M-03 specifications
  - \* Please specify if required in Class 25B or Ductile Iron
- Markings: City Water
  - \* Custom markings / logos available upon request

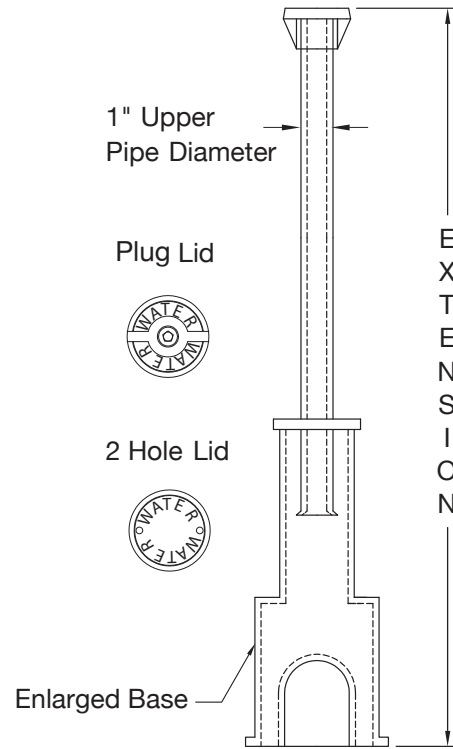


PLUG LID	2 HOLE LID	RANGE / BURY
PRODUCT NO.	PRODUCT NO.	EXTENSION
41048	42048	3 - 4
41054	42054	3-1/2 - 4-1/2
41060	42060	4 - 5
41066	42066	4-1/2 - 5-1/2
41072	42072	5 - 6
41078	42078	5-1/2 -6-1/2
41084	42084	6 - 7
41090	42090	6-1/2 - 7-1/2
41096	42096	7 - 8

**NOTES:**

- Dimensions are approximate & in inches
- Lid/Base: Gray Iron, Class 30B
- Conforms to ASTM A48 / A48M-03 specifications
  - \* Please specify if required in Class 35B or Ductile Iron
- Upper Pipe: Steel
- Conforms to ASTM A36 specifications
- Markings: Sewer, Water
  - \* Custom markings / logos available upon request
- 1-1/4" and 1-1/2" pipe also available (please specify)
- Suitable with 1-1/4", 1-1/2" & 2" curb stops





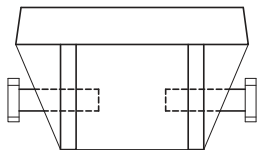
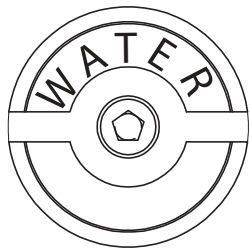
	PLUG LID	2 HOLE LID	RANGE / BURY
<b>PRODUCT NO.</b>	<b>PRODUCT NO.</b>	<b>PRODUCT NO.</b>	<b>EXTENSION</b>
43048	44048		3 - 4
43054	44054		3-1/2 - 4-1/2
43060	44060		4 - 5
43066	44066		4-1/2 - 5-1/2
43072	44072		5 - 6
43078	44078		5-1/2 - 6-1/2
43084	44084		6 - 7
43090	44090		6-1/2 - 7-1/2
43096	44096		7 - 8

**NOTES:**

- Dimensions are approximate & in inches
- Lid/Base: Gray Iron, Class 30B
- Conforms to ASTM A48 / A48M-03 specifications
  - \* Please specify if required in Class 35B or Ductile Iron
- Upper Pipe: Steel
- Conforms to ASTM A36 specifications
- Markings: Sewer, Water
  - \* Custom markings / logos available upon request
- 1-1/4" and 1-1/2" pipe also available (please specify)
- Suitable with 1-1/4", 1-1/2" & 2" curb stops



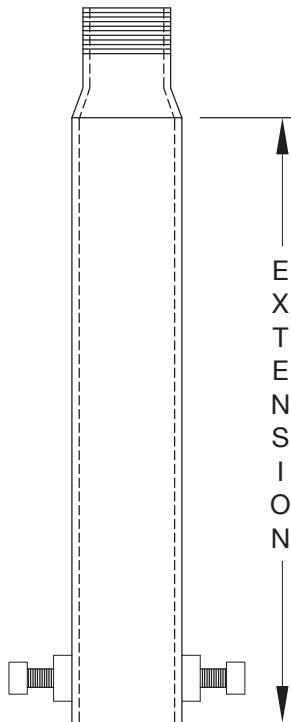
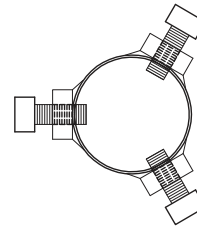
Repair Lid for 1" Pipe



Repair Lid

<b>PRODUCT NO.</b>
41000

Extension with  
3 Set Screws



Erie/Arch Box Extension,  
3 Set Screws

<b>PRODUCT NO.</b>	<b>EXTENSION</b>
41003	3
41006	6
41009	9
41012	12
41018	18
41024	24

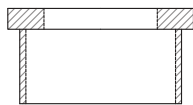
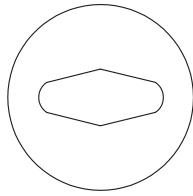
**NOTES:**

- Dimensions are approximate & in inches
- Suitable with 1-1/4", 1-1/2" & 2" curb stops
- Extensions are available for 1", 1-1/4" and 1-1/2" pipe

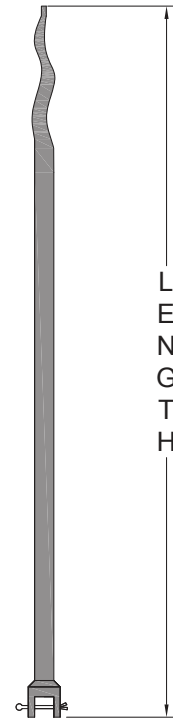


Centering Ring, Stationary Rods

Centering Ring



Stationary Rod



Centering Ring

PRODUCT NO.	USE WITH
49000	Stationary Rod

Stationary Rods, Mild Steel

PRODUCT NO.	LENGTH
49018	18
49024	24
49030	30
49033	33
49036	36
49042	42
49048	48
49054	54
49060	60
49066	66
49072	72
49078	78

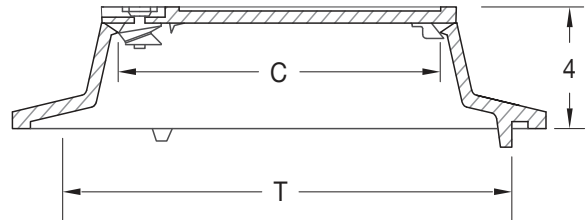
Stationary Rods, Stainless Steel

PRODUCT NO.	LENGTH
49S24	24
49S30	30
49S36	36
49S42	42
49S48	48

NOTES:

- Dimensions are approximate & in inches
- Suitable for: Service/Buffalo Style Boxes, Erie/Arch Style Boxes, Minneapolis Style Boxes





NO HOLE	SIDE HOLE	LID SIZE	TILE SIZE
PRODUCT NO.	PRODUCT NO.	C	T
5C32N	5C32S	11-1/2	18
5C03N	5C03S	11-1/2	20
5C04N	5C04S	11-1/2	21
5C52N	5C52S	15	18
5C53N	5C53S	15	20

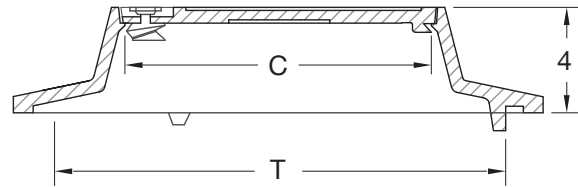
**NOTES:**

- Dimensions are approximate & in inches
- Gray Iron, Class 30B
- Conforms to ASTM A48 / A48M-03 specifications
  - \* Please specify if required in Class 35B or Ductile Iron

**Bolts:**

- Silicon bronze
- Pentagon shaped head
- Sizes: 27/32", 1-1/32"
  - \* 27/32" is standard. Please specify if 1-1/32" is required
- Markings: Water Meter
  - \* Custom markings / logos available upon request





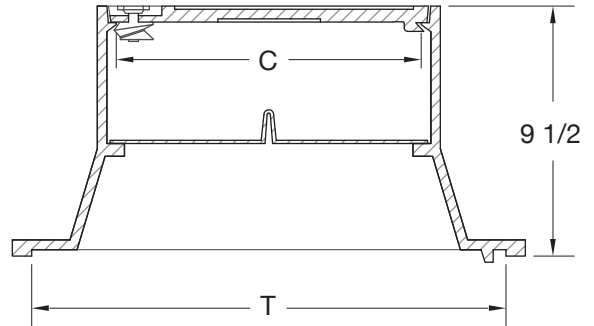
NO HOLE	SIDE HOLE	LID SIZE	TILE SIZE
PRODUCT NO.	PRODUCT NO.	C	T
5A32N	5A32S	11-1/2	18
5A03N	5A03S	11-1/2	20
5A04N	5A04S	11-1/2	21
5A52N	5A52S	15	18
5A53N	5A53S	15	20

**NOTES:**

- Dimensions are approximate & in inches
- Gray Iron, Class 30B
- Conforms to ASTM A48 / A48M-03 specifications
  - \* Please specify if required in Class 35B or Ductile Iron

**Bolts:**

- Silicon bronze
- Pentagon shaped head
- Sizes: 27/32", 1-1/32"
  - \* 27/32" is standard. Please specify if 1-1/32" is required
- Markings: Water Meter
  - \* Custom markings / logos available upon request



NO HOLE	SIDE HOLE	LID SIZE	TILE SIZE
PRODUCT NO.	PRODUCT NO.	C	T
5W32N	5W32S	11-1/2	18
5W03N	5W03S	11-1/2	20
5W04N	5W04S	11-1/2	21

**NOTES:**

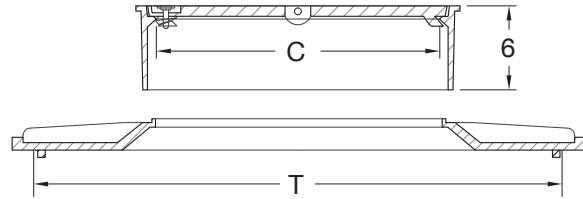
- Dimensions are approximate & in inches
- Gray Iron, Class 30B
- Conforms to ASTM A48 / A48M-03 specifications
- \* Please specify if required in Class 35B or Ductile Iron

**Bolts:**

- Silicon bronze
- Pentagon shaped head
- Sizes: 27/32", 1-1/32"
- \* 27/32" is standard. Please specify if 1-1/32" is required
- Markings: Water Meter
- \* Custom markings / logos available upon request







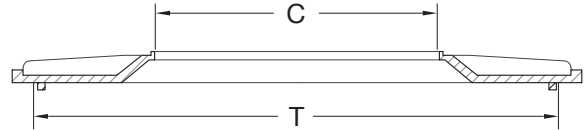
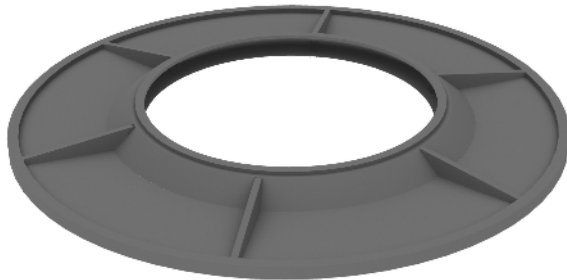
NO HOLE	SIDE HOLE	LID SIZE	TILE SIZE
PRODUCT NO.	PRODUCT NO.	C	T
5M24N	5M24S	20	24
5M30N	5M30S	20	30
5M36N	5M36S	20	36

**NOTES:**

- Dimensions are approximate & in inches
- Gray Iron, Class 30B
- Conforms to ASTM A48 / A48M-03 specifications
  - \* Please specify if required in Class 35B or Ductile Iron

**Bolts:**

- Silicon bronze
- Pentagon shaped head
- Sizes: 27/32", 1-1/32"
  - \* 27/32" is standard. Please specify if 1-1/32" is required
- Markings: Water Meter
  - \* Custom markings / logos available upon request



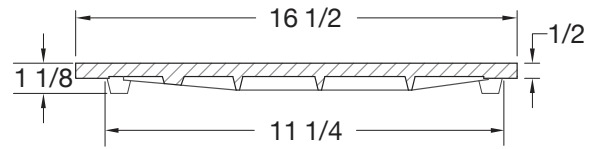
PRODUCT NO.	LID SIZE	RANGE	TILE SIZE
	C		T
52024	20	Adapts 20" covers to 24" tile	24
52030	20	Adapts 20" covers to 30" tile	30
52036	20	Adapts 20" covers to 36" tile	36

**NOTES:**

- Dimensions are approximate & in inches
- Gray Iron, Class 30B
- Conforms to ASTM A48 / A48M-03 specifications
  - \* Please specify if required in Class 35B or Ductile Iron
- Suitable for A, C and W style frames



Lid, For Plastic Box

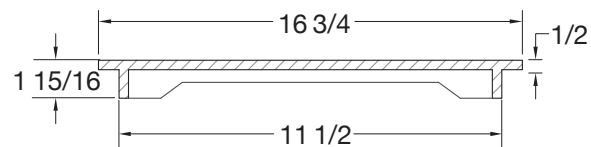


Notes:

- Dimensions are approximate & in inches
- Gray Iron, Class 30B
- Conforms to ASTM A48 / A48M-03 specifications
  - \* Please specify if required in Class 35B or Ductile Iron
- Markings: Sewer, Water Meter
  - \* Custom markings / logos available upon request
- Lid available with no hole or touch read hole (please specify)

PRODUCT NO.	EQUIVALENT
51711	Brooks Lid

Lid, For Plastic Box

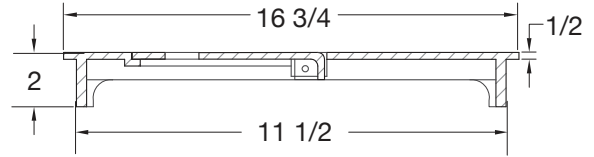


NOTES:

- Dimensions are approximate & in inches
- Gray Iron, Class 30B
- Conforms to ASTM A48 / A48M-03 specifications
  - \* Please specify if required in Class 35B or Ductile Iron
- Markings: Sewer, Water Meter
  - \* Custom markings / logos available upon request
- Lid available with no hole or touch read hole (please specify)

PRODUCT NO.	EQUIVALENT
51712	Charlotte #2



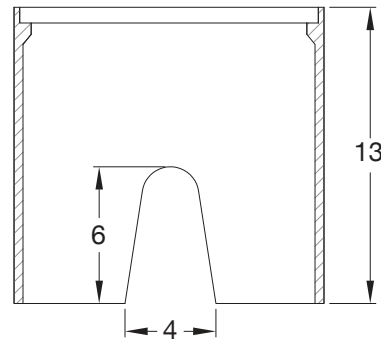
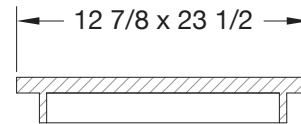
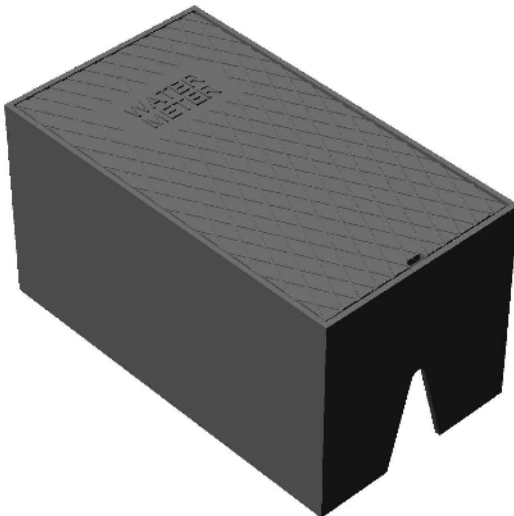


**NOTES:**

- Dimensions are approximate & in inches
- Gray Iron, Class 30B
- Conforms to ASTM A48 / A48M-03 specifications
  - \* Please specify if required in Class 35B or Ductile Iron
- Markings: Sewer, Water Meter
  - \* Custom markings / logos available upon request

PRODUCT NO.	EQUIVALENT
51713	Charlotte #2 W/ Flip Reader

Rectangular Frame and Lid



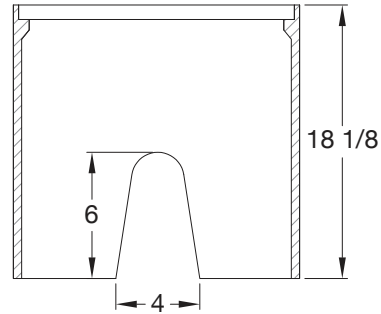
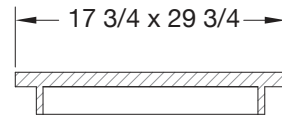
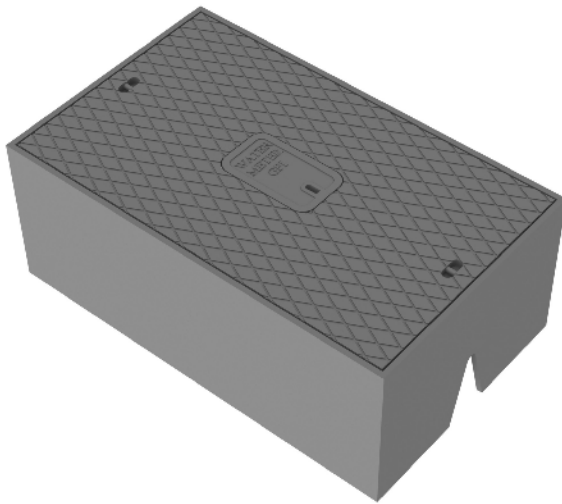
**NOTES:**

- Dimensions are approximate & in inches
- Gray Iron, Class 30B
- Conforms to ASTM A48 / A48M-03 specifications
  - \* Please specify if required in Class 35B or Ductile Iron
- Markings: Sewer, Water Meter
  - \* Custom markings / logos available upon request

PRODUCT NO.	EQUIVALENT
52313	Jefferson Parish



Rectangular Frame and Lid

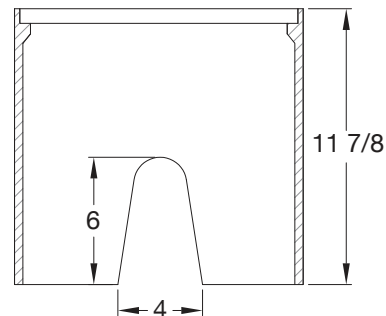
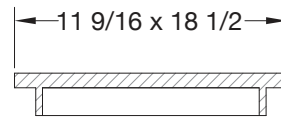
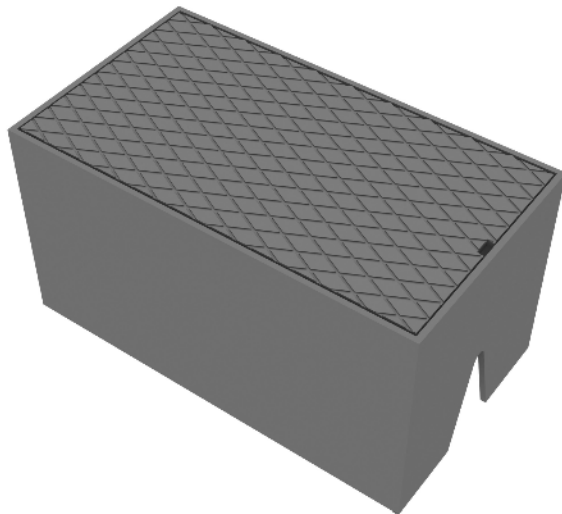


NOTES:

- Dimensions are approximate & in inches
- Gray Iron, Class 30B
- Conforms to ASTM A48 / A48M-03 specifications
  - \* Please specify if required in Class 35B or Ductile Iron
- Markings: Sewer, Water Meter
  - \* Custom markings / logos available upon request
- Lid available with no hole or touch read hole (please specify)

PRODUCT NO.	EQUIVALENT
53018	MBX 5A

Rectangular Frame and Lid

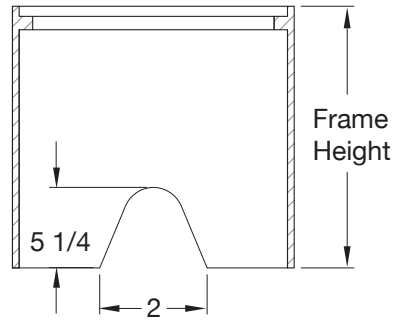
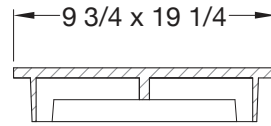
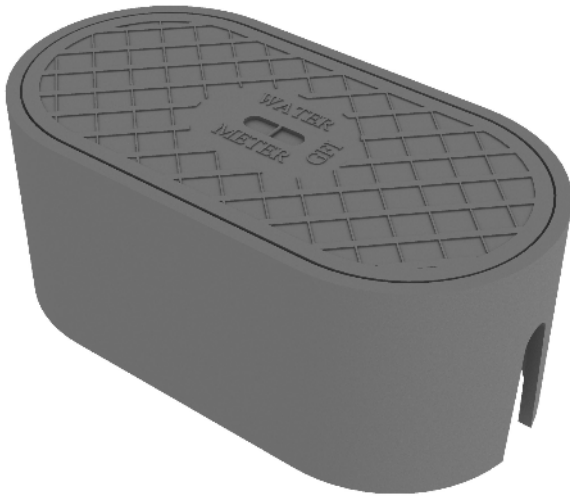


NOTES:

- Dimensions are approximate & in inches
- Gray Iron, Class 30B
- Conforms to ASTM A48 / A48M-03 specifications
  - \* Please specify if required in Class 35B or Ductile Iron
- Markings: Sewer, Water Meter
  - \* Custom markings / logos available upon request
- Lid available with no hole or touch read hole (please specify)

PRODUCT NO.	EQUIVALENT
51812	Schofield

Oval Frame and Lid

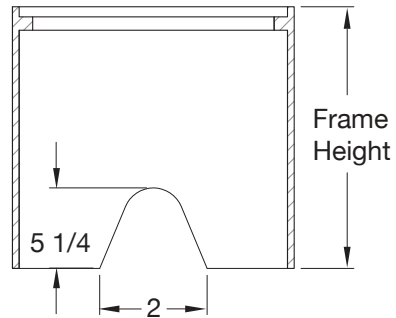
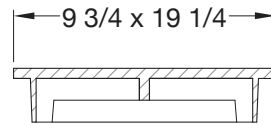
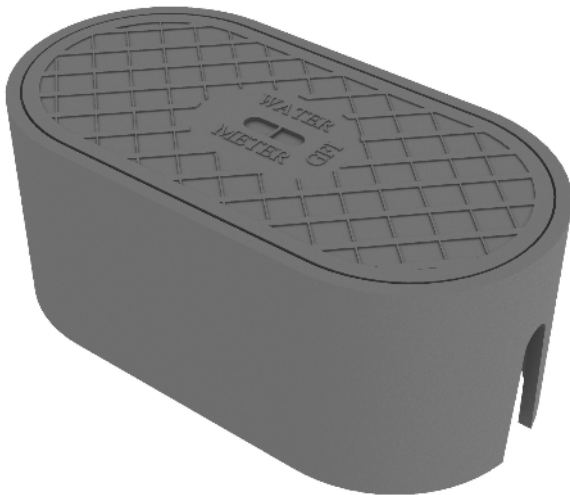


**NOTES:**

- Dimensions are approximate & in inches
- Gray Iron, Class 30B
- Conforms to ASTM A48 / A48M-03 specifications
  - \* Please specify if required in Class 35B or Ductile Iron
- Markings: Sewer, Water
  - \* Custom markings / logos available upon request
- Lid available with no hole or touch read hole (please specify)

PRODUCT NO.	FRAME HEIGHT	EQUIVALENT
52012	12	MBX 1
52018	18	MBX 2

Oval Frame and Lid



**NOTES:**

- Dimensions are approximate & in inches
- Gray Iron, Class 30B
- Conforms to ASTM A48 / A48M-03 specifications
  - \* Please specify if required in Class 35B or Ductile Iron
- Markings: Sewer, Water
  - \* Custom markings / logos available upon request
- Lid available with no hole or touch read hole (please specify)

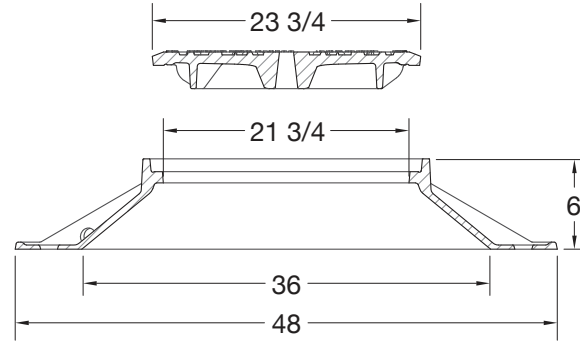
PRODUCT NO.	FRAME HEIGHT	EQUIVALENT
51910	10	1910 Rome Box
51912	12	1912 Rome Box
51918	18	1918 Rome Box



## Municipal / Utility

Conneticut	MU1 - MU2
Florida	MU3 - MU5
Georgia	MU6
Kentucky	MU7
Maine	MU8 - MU9
Massachusettes	MU10 - MU21
Missouri	MU22
New York	MU23 - MU35
Port Authority of NY / NJ	MU36 - MU40
North Carolina	MU41 - MU45
Ohio	MU46 - MU48
Pennsylvania	MU49 - MU50
Rhode Island	MU51
Virginia	MU52
West Virginia	MU53
<b>Utility</b>	<b>MU54 - MU55</b>





PRODUCT NO.	MARKING	COVER
MDCDS	Sewer	Solid
MDCSS	Storm Drain	Solid
MDCDV	Sewer	1 Vent Hole
MDCSV	Storm Drain	1 Vent Hole

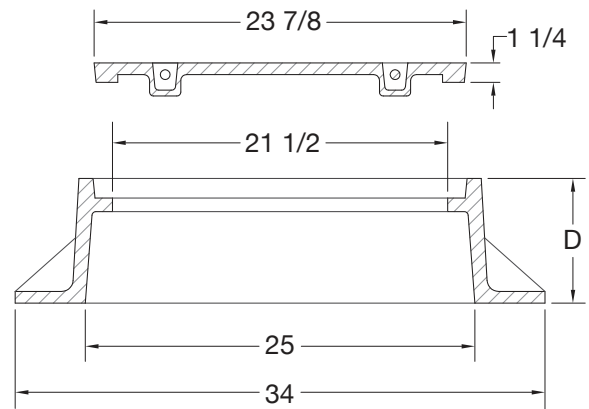
**NOTES:**

- Dimensions are approximate & in inches
- Gray Iron, Class 30B
- Conforms to ASTM A48 / A48M-03 specifications
- \* Please specify if required in Class 35B or Ductile Iron





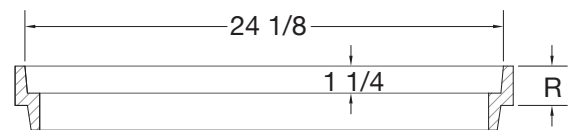
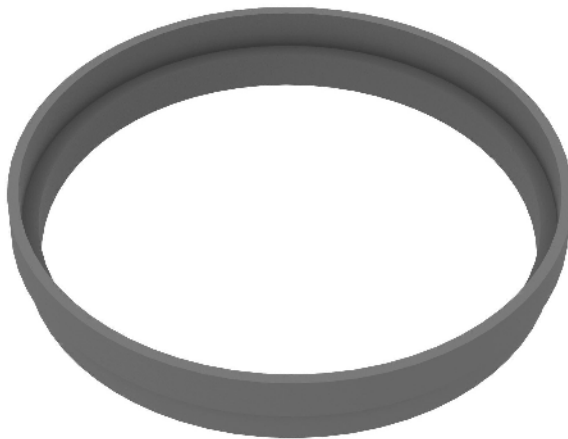
## Manhole Frame and Cover



FRAME  
HEIGHT

PRODUCT NO.	D
W2461	6
W2481	8

## Manhole Riser



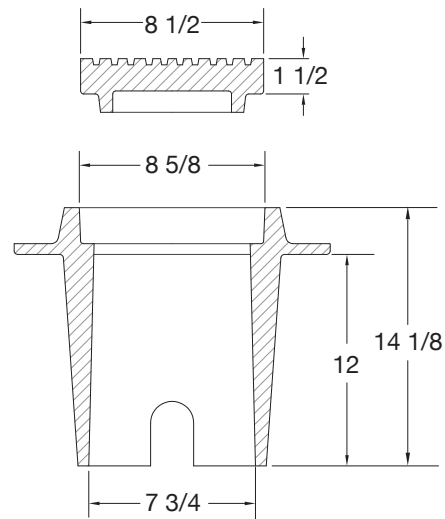
**NOTES:**

- Dimensions are approximate & in inches
- Gray Iron, Class 30B
- Conforms to ASTM A48 / A48M-03 specifications
- \* Please specify if required in Class 35B or Ductile Iron

PRODUCT NO.	RAISE
W2415	1-1/2
W2420	2
W2430	3



#2 Valve Box

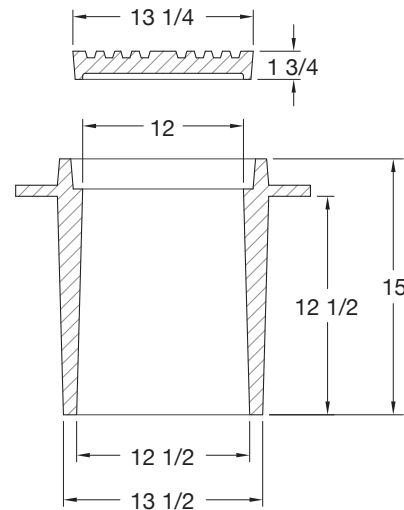


NOTES:

- Dimensions are approximate & in inches
- Gray Iron, Class 30B
- Conforms to ASTM A48 / A48M-03 specifications
- \* Please specify if required in Class 35B or Ductile Iron

<b>PRODUCT NO.</b>
10814

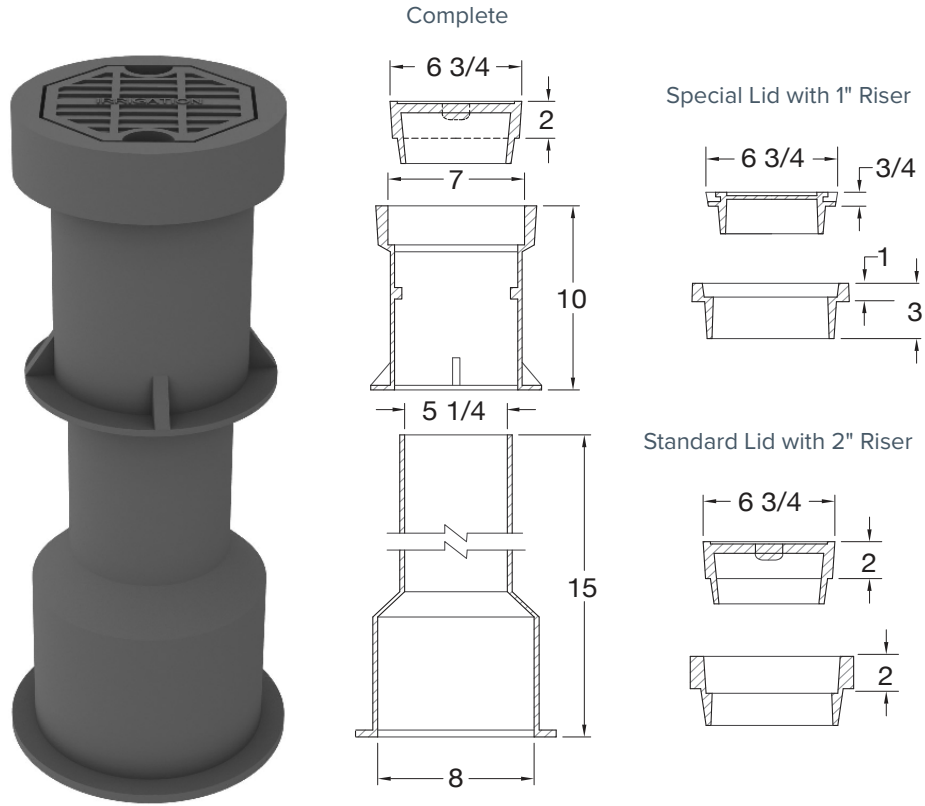
#3 Valve Box



NOTES:

- Dimensions are approximate & in inches
- Gray Iron, Class 30B
- Conforms to ASTM A48 / A48M-03 specifications
- \* Please specify if required in Class 35B or Ductile Iron

<b>PRODUCT NO.</b>
11315

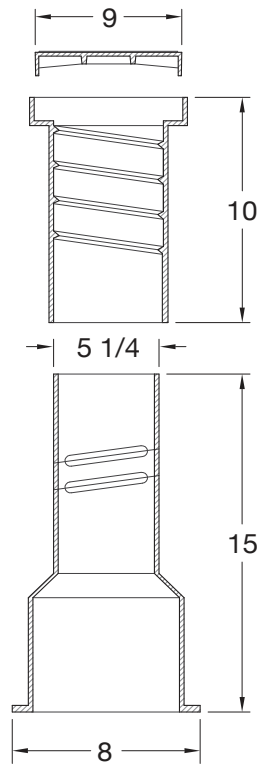


PRODUCT NO.	DESCRIPTION
30466	Complete Valve Box
30410	Special Lid with 1" Riser
30420	Standard Lid with 2" Riser

**NOTES:**

- Dimensions are approximate & in inches
- Gray Iron, Class 30B
- Conforms to ASTM A48 / A48M-03 specifications
- \* Please specify if required in Class 35B or Ductile Iron



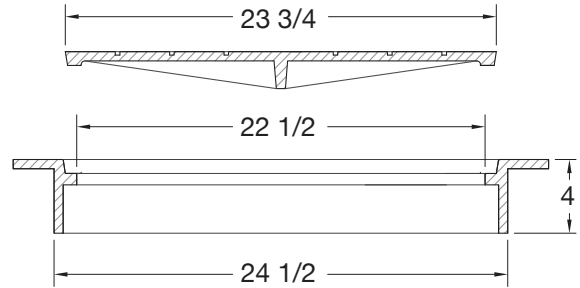
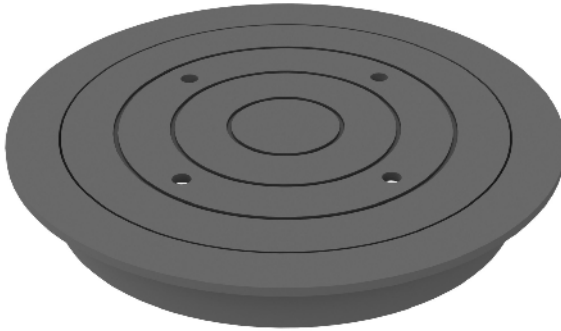


PRODUCT NO.

30469

**NOTES:**

- Dimensions are approximate & in inches
- Gray Iron, Class 30B
- Conforms to ASTM A48 / A48M-03 specifications
- \* Please specify if required in Class 35B or Ductile Iron



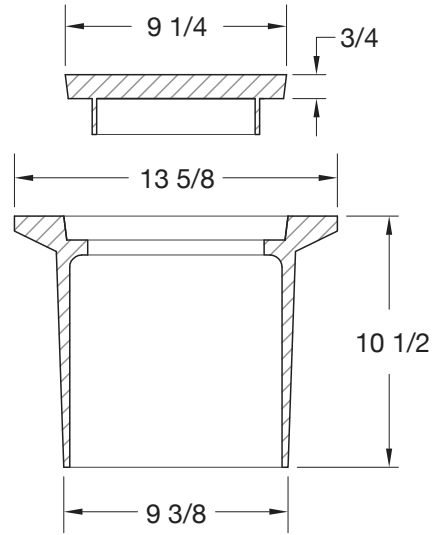
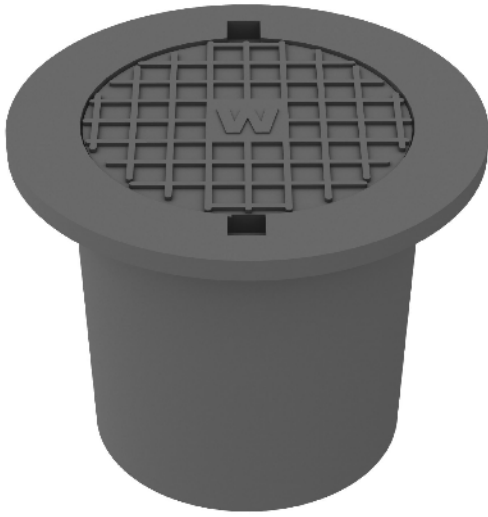
**PRODUCT NO.**

12344

**NOTES:**

- Dimensions are approximate & in inches
- Gray Iron, Class 30B
- Conforms to ASTM A48 / A48M-03 specifications
  - \* Please specify if required in Class 35B or Ductile Iron
- Cover is also available without vent holes



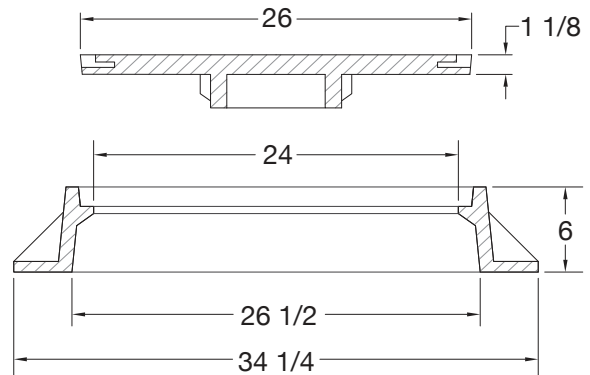


<b>PRODUCT NO.</b>
10910

**NOTES:**

- Dimensions are approximate & in inches
- Gray Iron, Class 30B
- Conforms to ASTM A48 / A48M-03 specifications
- \* Please specify if required in Class 35B or Ductile Iron

## Manhole Frame and Cover



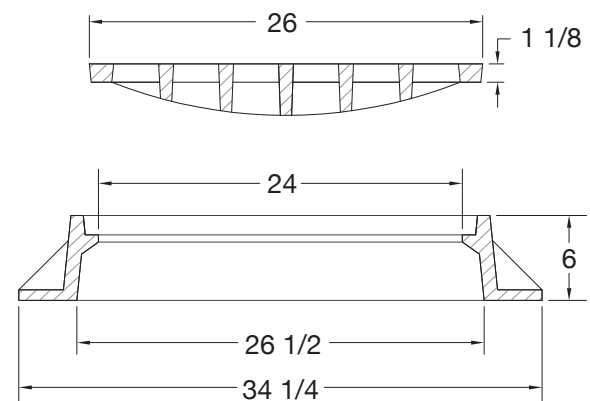
**NOTES:**

- Dimensions are approximate & in inches
- Gray Iron, Class 30B
- Conforms to ASTM A48 / A48M-03 specifications
- \* Please specify if required in Class 35B or Ductile Iron

**PRODUCT NO.**

**12661**

## Manhole Frame and Grate



**NOTES:**

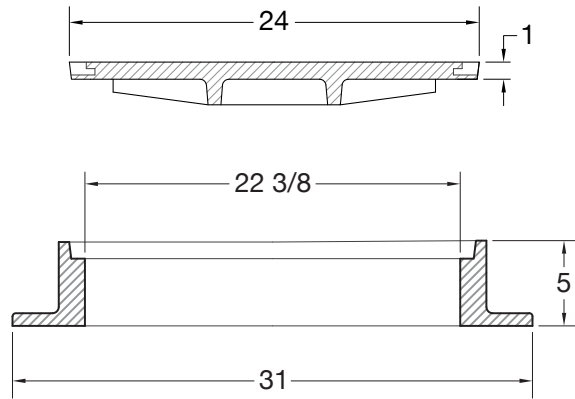
- Dimensions are approximate & in inches
- Gray Iron, Class 30B
- Conforms to ASTM A48 / A48M-03 specifications
- \* Please specify if required in Class 35B or Ductile Iron

**PRODUCT NO.**

**12666**



Manhole Frame and Cover

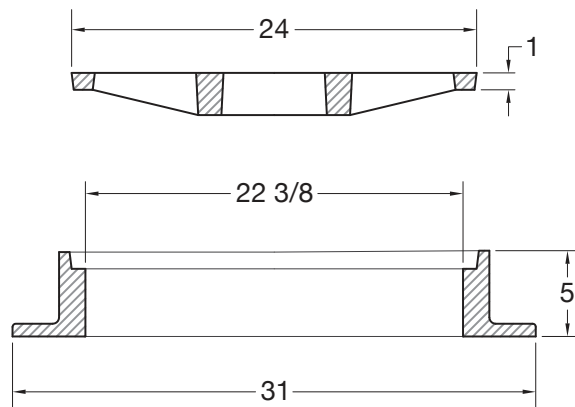


NOTES:

- Dimensions are approximate & in inches
- Gray Iron, Class 30B
- Conforms to ASTM A48 / A48-03 specifications
  - \* Please specify if required in Class 35B or Ductile Iron
- Markings: Drain, Sewer
  - \* Custom markings / logos available upon request

PRODUCT NO.
12451

Manhole Frame and Grate



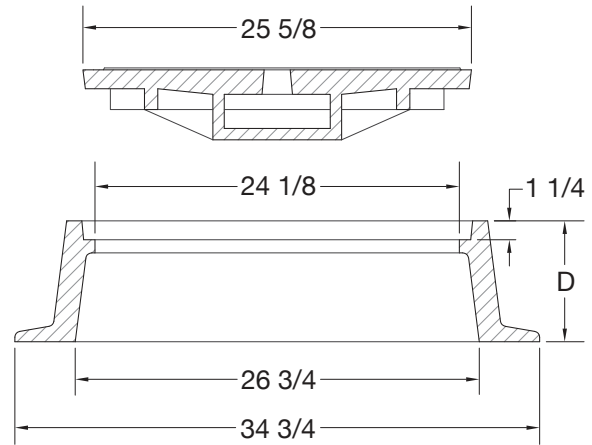
NOTES:

- Dimensions are approximate & in inches
- Gray Iron, Class 30B
- Conforms to ASTM A48 / A48-03 specifications
  - \* Please specify if required in Class 35B or Ductile Iron

PRODUCT NO.
12452



## A2 Manhole Frame and Cover



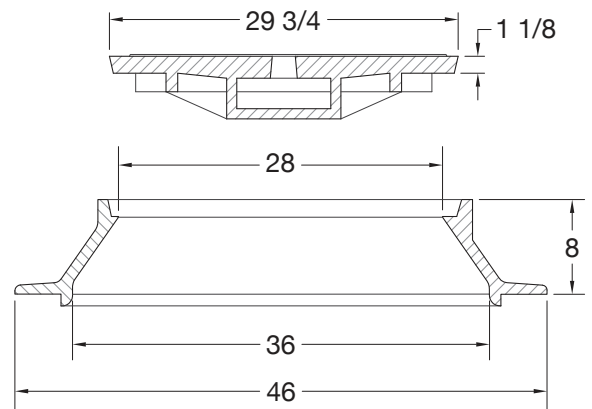
**NOTES:**

- Dimensions are approximate & in inches
- Gray Iron, Class 35B
- Conforms to ASTM A48 / A48M-03 specifications
- Markings: Boston Drain, Boston Sewer
- \* Custom markings / logos available upon request
- 8" high frame also available with locks (please specify)

FRAME  
HEIGHT

PRODUCT NO.	D
BS4A2	4
BS8A2	8

## B5 Manhole Frame and Cover



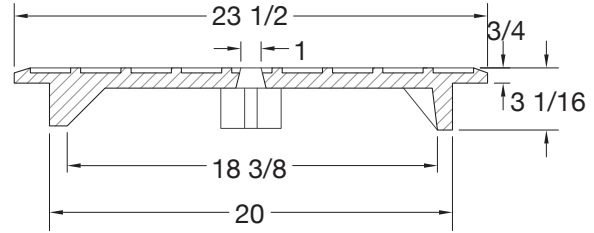
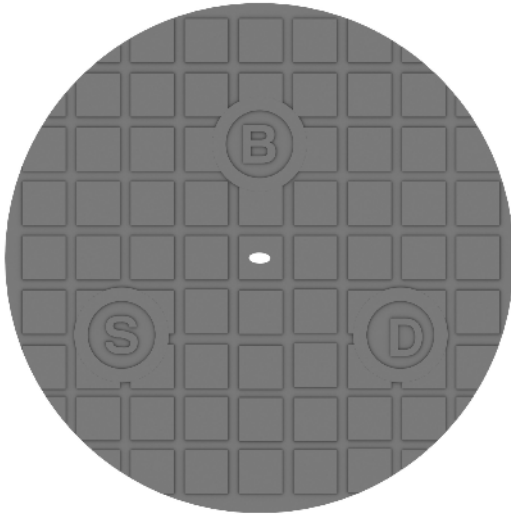
**NOTES:**

- Dimensions are approximate & in inches
- Gray Iron, Class 35B
- Conforms to ASTM A48 / A48M-03 specifications
- Markings: Boston Drain, Boston Sewer
- \* Custom markings / logos available upon request
- Frame also available with locks (please specify)

PRODUCT NO.
BS8B5



Bradley Head Manhole Cover



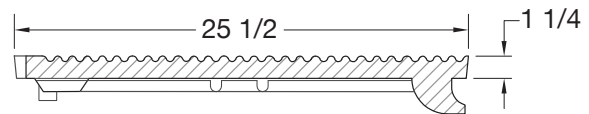
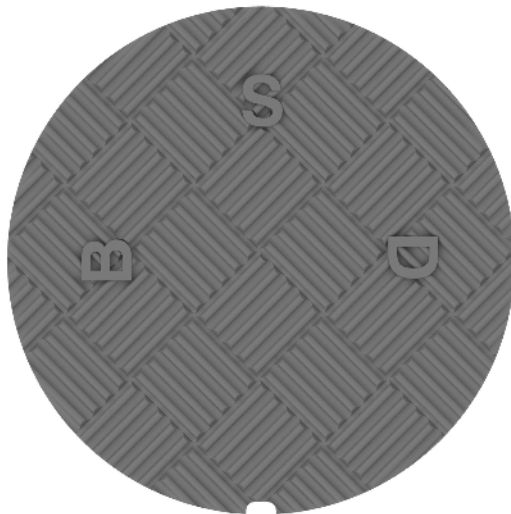
NOTES:

- Dimensions are approximate & in inches
- Gray Iron, Class 35B
- Conforms to ASTM A48 / A48M-03 specifications

PRODUCT NO.

BSBRD

A3 Sidewalk Manhole Cover



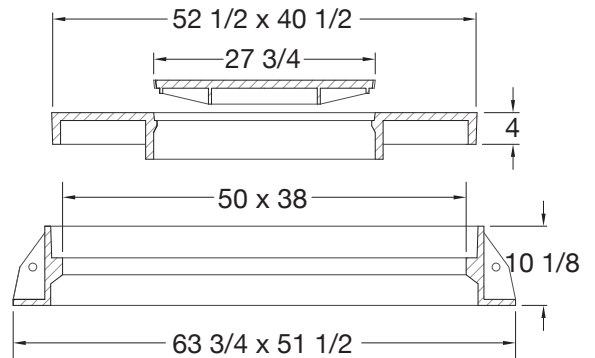
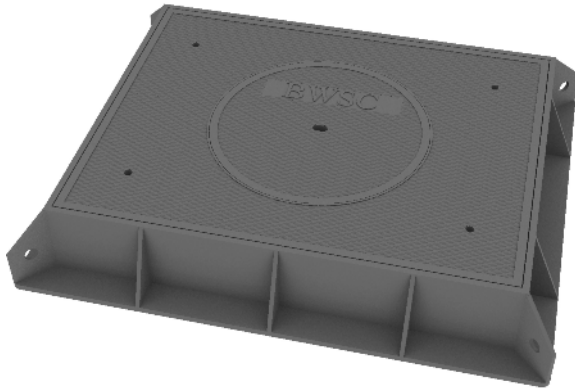
NOTES:

- Dimensions are approximate & in inches
- Gray Iron, Class 35B
- Conforms to ASTM A48 / A48M-03 specifications

PRODUCT NO.

BSA3C

## “G” Manhole Frame and Cover

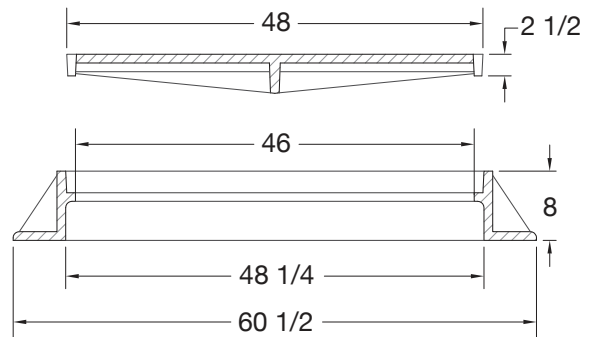


**NOTES:**

- Dimensions are approximate & in inches
- Gray Iron, Class 35B
- Conforms to ASTM A48 / A48M-03 specifications

<b>PRODUCT NO.</b>
<b>BSGMH</b>

## 48” Manhole Frame and Cover



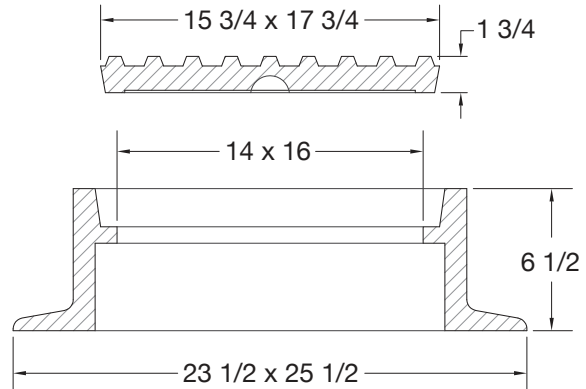
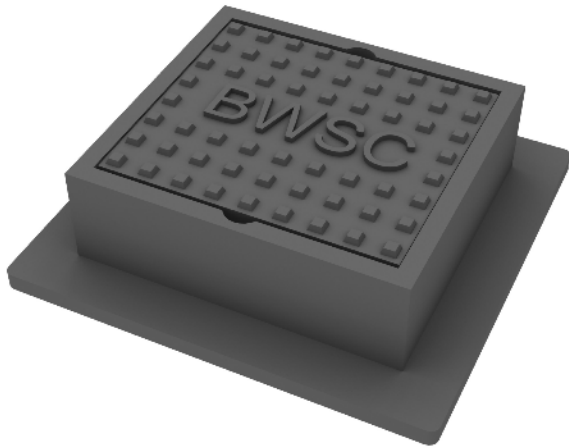
**NOTES:**

- Dimensions are approximate & in inches
- Gray Iron, Class 35B
- Conforms to ASTM A48 / A48M-03 specifications

<b>PRODUCT NO.</b>
<b>BSM48</b>



16" X 18" Frame and Cover (Old Design)



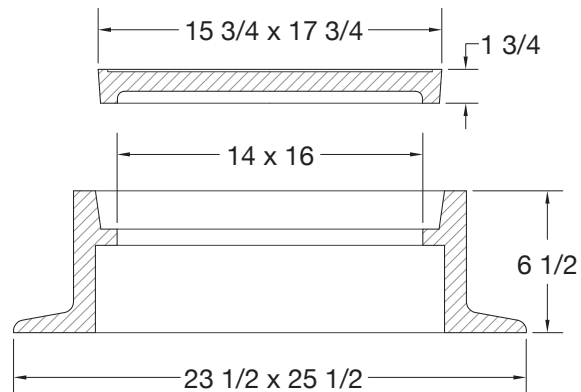
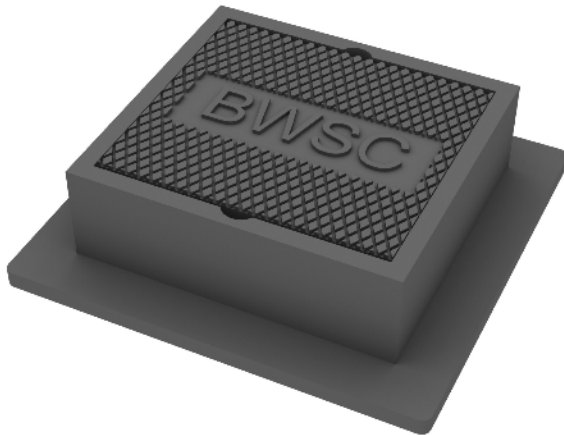
NOTES:

- Dimensions are approximate & in inches
- Gray Iron, Class 35B
- Conforms to ASTM A48 / A48M-03 specifications

PRODUCT NO.

BS680

16" X 18" Frame and Cover (New Design)



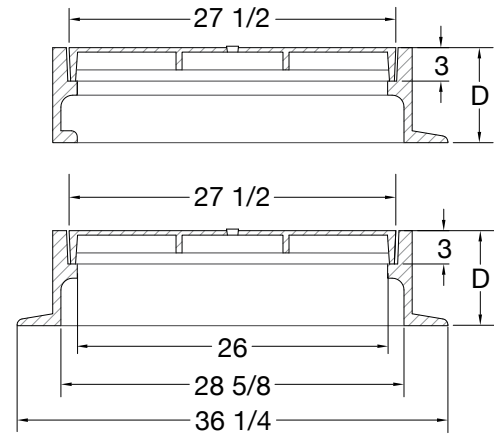
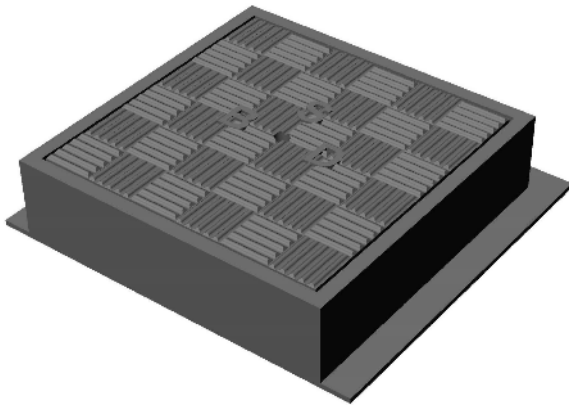
NOTES:

- Dimensions are approximate & in inches
- Gray Iron, Class 35B
- Conforms to ASTM A48 / A48M-03 specifications

PRODUCT NO.

BS68N

## "E" Frame and Cover with 3FL Frame



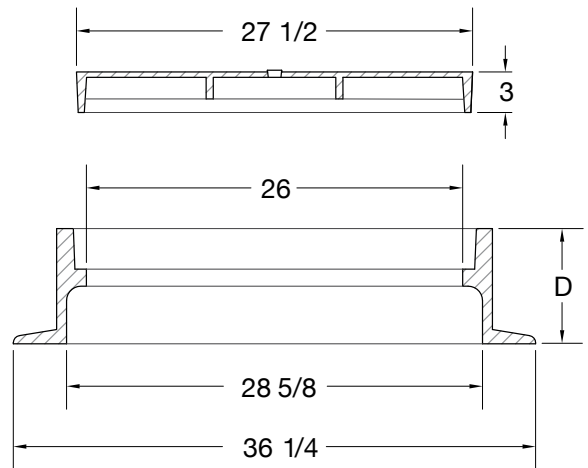
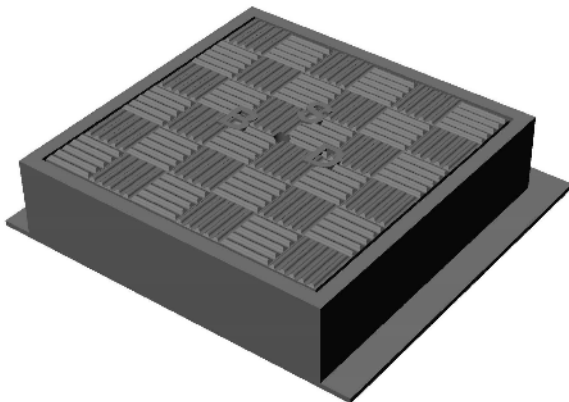
**NOTES:**

- Dimensions are approximate & in inches
- Gray Iron, Class 35B
- Conforms to ASTM A48 / A48M-03 specifications

FRAME  
HEIGHT

PRODUCT NO.	D	FRAME
BSEC4-3	4	3 Flange
BSEC8-3	8	3 Flange

## "E" Frame and Cover with 4FL Frame



**NOTES:**

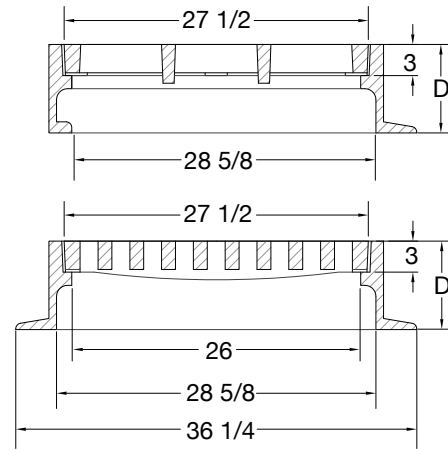
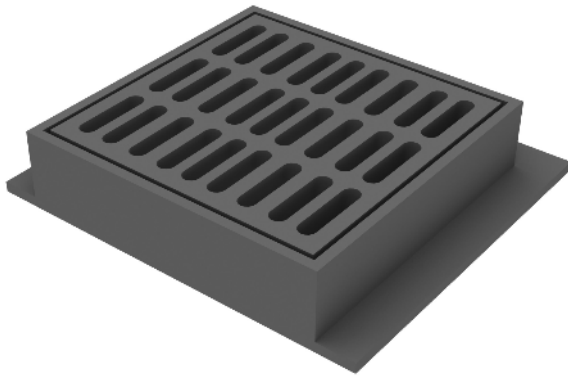
- Dimensions are approximate & in inches
- Gray Iron, Class 35B
- Conforms to ASTM A48 / A48M-03 specifications

FRAME  
HEIGHT

PRODUCT NO.	D	FRAME
BSEC4-3	4	4 Flange
BSEC8-3	8	4 Flange



"E" Catch Basin with 3 FL Frame



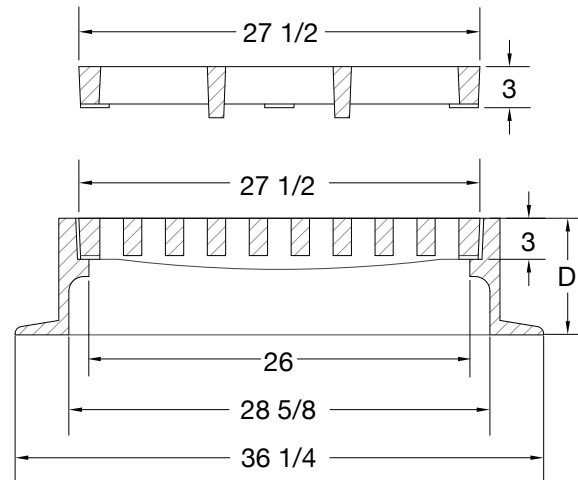
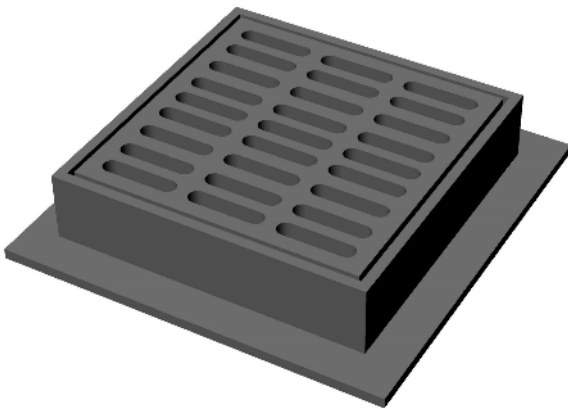
NOTES:

- Dimensions are approximate & in inches
- Gray Iron, Class 35B
- Conforms to ASTM A48 / A48M-03 specifications

FRAME  
HEIGHT

PRODUCT NO.	D	FRAME
BSEG4-3	4	3 Flange
BSEG8-4	8	3 Flange

"E" Catch Basin with 4FL Frame



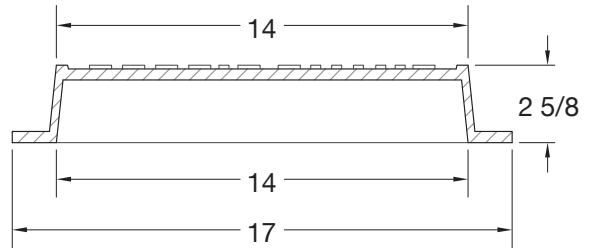
NOTES:

- Dimensions are approximate & in inches
- Gray Iron, Class 35B
- Conforms to ASTM A48 / A48M-03 specifications

FRAME  
HEIGHT

PRODUCT NO.	D	FRAME
BSEG4-3	4	4 Flange
BSEG8-4	8	4 Flange





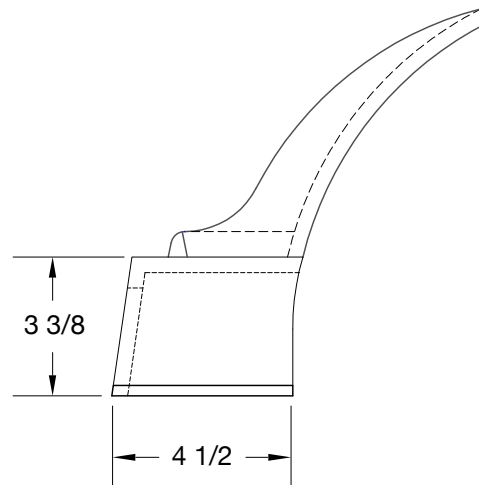
PRODUCT NO.	MARKING
BSSBH	DRAINS TO BOSTON HARBOUR
BSSCR	DRAINS TO CHARLES RIVER
BSSNR	DRAINS TO NEPONSET RIVER
BSSAB	DRAINS TO ALEWIFE BROOK

**NOTES:**

- Dimensions are approximate & in inches
- Gray Iron, Class 35B
- Conforms to ASTM A48 / A48M-03 specifications



Shoe



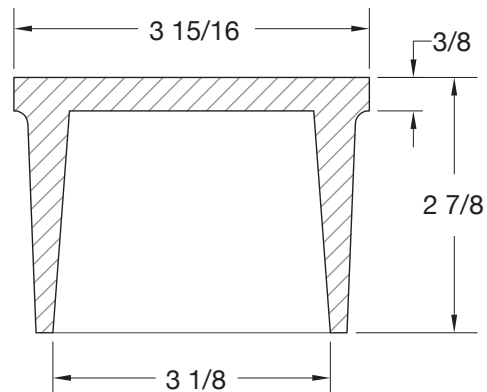
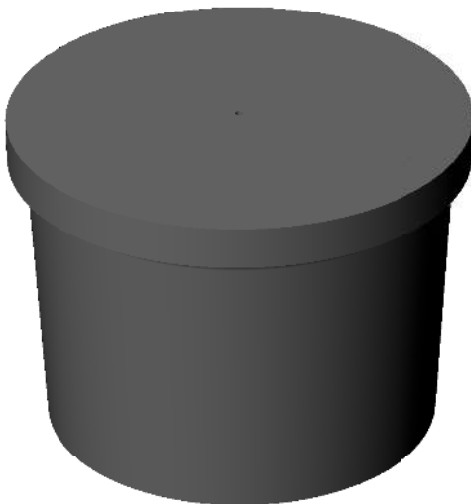
NOTES:

- Dimensions are approximate & in inches
- Gray Iron, Class 35B
- Conforms to ASTM A48 / A48M-03 specifications

PRODUCT NO.

BSHOE

Main Tube Cap



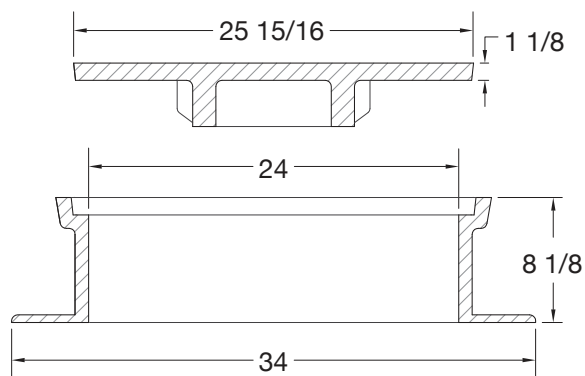
NOTES:

- Dimensions are approximate & in inches
- Gray Iron, Class 35B
- Conforms to ASTM A48 / A48M-03 specifications

PRODUCT NO.

BSCAP





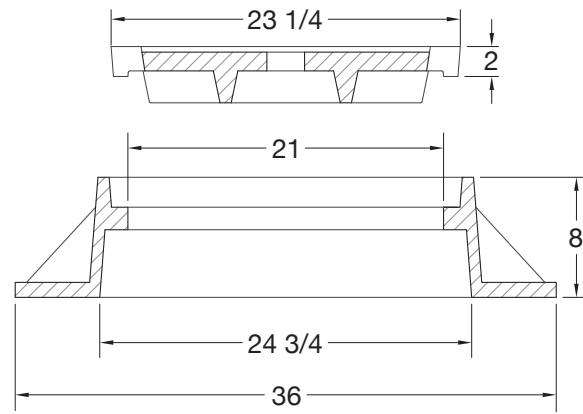
PRODUCT NO.

FM268

**NOTES:**

- Dimensions are approximate & in inches
- Gray Iron, Class 30B
- Conforms to ASTM A48 / A48M-03 specifications
  - \* Please specify if required in Class 35B or Ductile Iron
- Markings: Drain, Sewer
  - \* Custom markings / logos available upon request



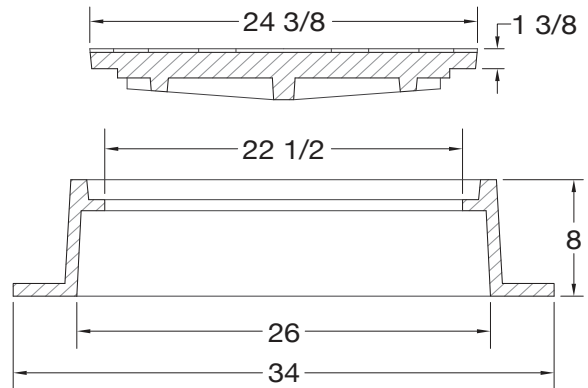


PRODUCT NO.
LOWMH

**NOTES:**

- Dimensions are approximate & in inches
- Gray Iron, Class 30B
- Conforms to ASTM A48 / A48M-03 specifications
  - \* Please specify if required in Class 35B or Ductile Iron
- Markings: Drain, Sewer
  - \* Custom markings / logos available upon request



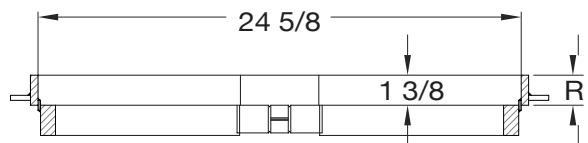
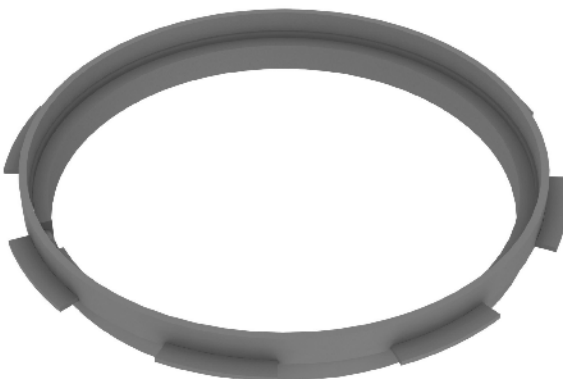


**NOTES:**

- Dimensions are approximate & in inches
- Gray Iron, Class 30B
- Conforms to ASTM A48 / A48M-03 specifications
  - \* Please specify if required in Class 35B or Ductile Iron
- Markings: Plain, Drain, Electric, Sewer, Water
  - \* Custom markings / logos available upon request
- Gasketed covers are also available
- Watertight assembly is also available

<b>PRODUCT NO.</b>
NWTMH

Manhole Riser



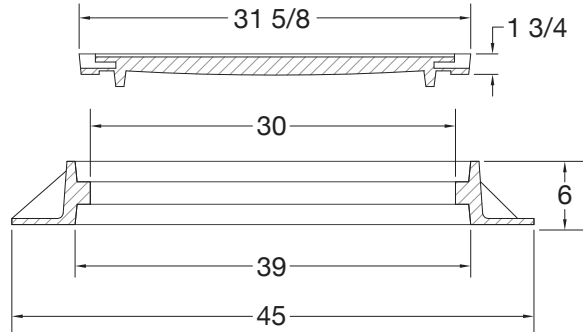
**NOTES:**

- Dimensions are approximate & in inches
- Gray Iron, Class 30B
- Conforms to ASTM A48 / A48M-03 specifications
  - \* Please specify if required in Class 35B or Ductile Iron

<b>PRODUCT NO.</b>
NWR10
NWR15



Manhole Frame and Cover



NOTES:

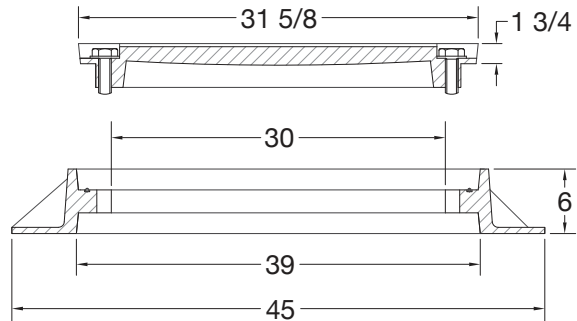
- Dimensions are approximate & in inches
- Gray Iron, Class 30B
- Conforms to ASTM A48 / A48M-03 specifications
- \* Please specify if required in Class 35B or Ductile Iron

PRODUCT NO.

WARMH

Manhole Frame and Cover

Watertight



NOTES:

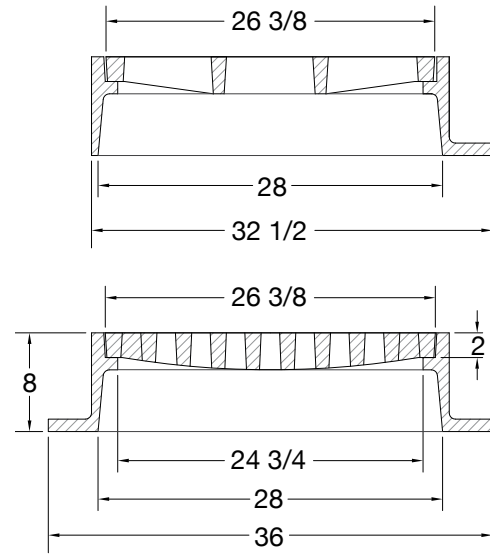
- Dimensions are approximate & in inches
- Gray Iron, Class 30B
- Conforms to ASTM A48 / A48M-03 specifications
- \* Please specify if required in Class 35B or Ductile Iron

PRODUCT NO.

WARWT



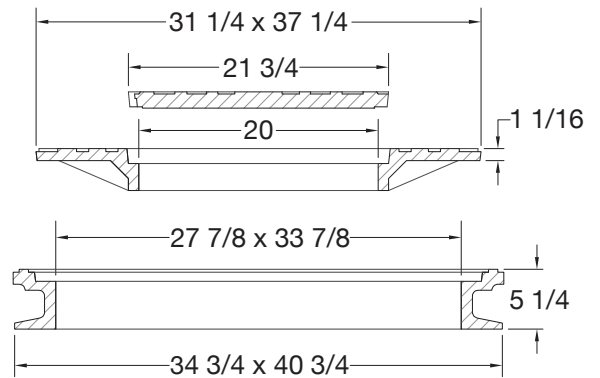
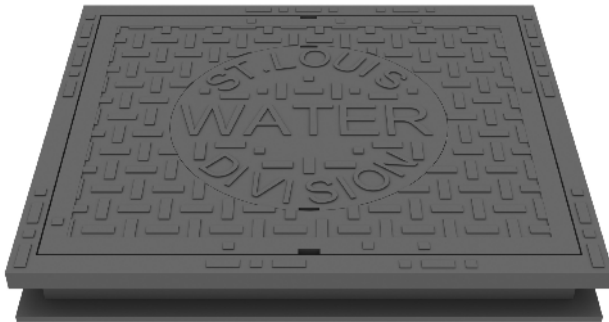
“D” Catch Basin Frame and Grate



PRODUCT NO.
MADCB

NOTES:

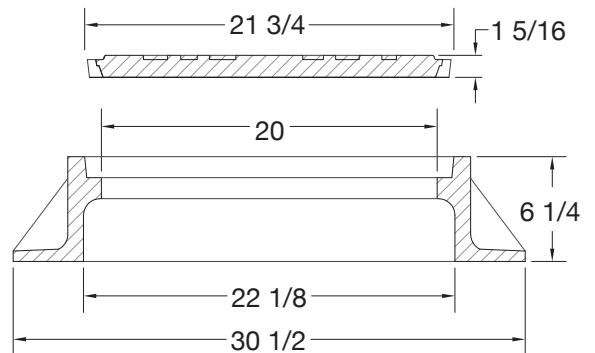
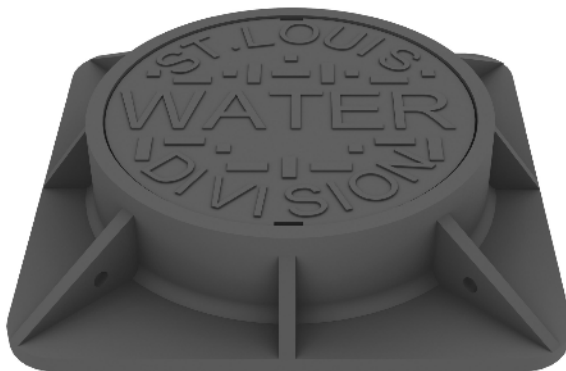
- Dimensions are approximate & in inches
- Gray Iron, Class 30B
- Conforms to ASTM A48 / A48M-03 specifications
- \* Please specify if required in Class 35B or Ductile Iron



**NOTES:**

- Dimensions are approximate & in inches
- Gray Iron, Class 30B
- Conforms to ASTM A48 / A48M-03 specifications
  - \* Please specify if required in Class 35B or Ductile Iron
- Markings: as per specifications
  - \* Custom markings / logos available upon request

<b>PRODUCT NO.</b>
<b>SL283</b>

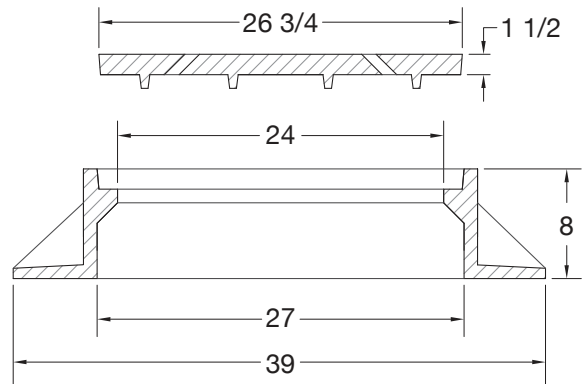
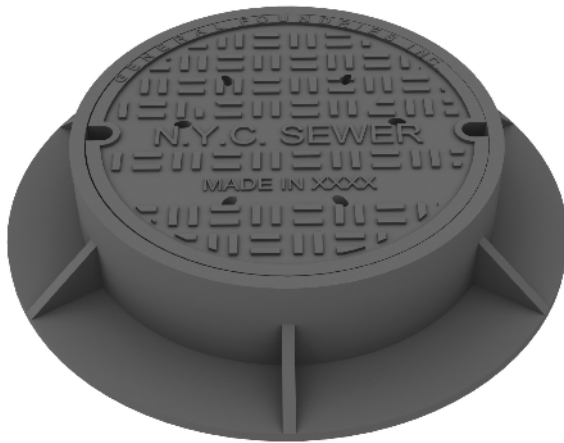


**NOTES:**

- Dimensions are approximate & in inches
- Gray Iron, Class 30B
- Conforms to ASTM A48 / A48M-03 specifications
  - \* Please specify if required in Class 35B or Ductile Iron
- Markings: as per specifications
  - \* Custom markings / logos available upon request

<b>PRODUCT NO.</b>
<b>SL329</b>





**PRODUCT NO.**

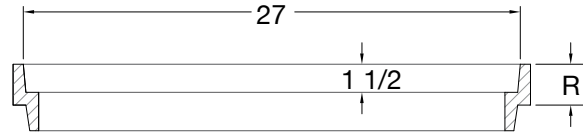
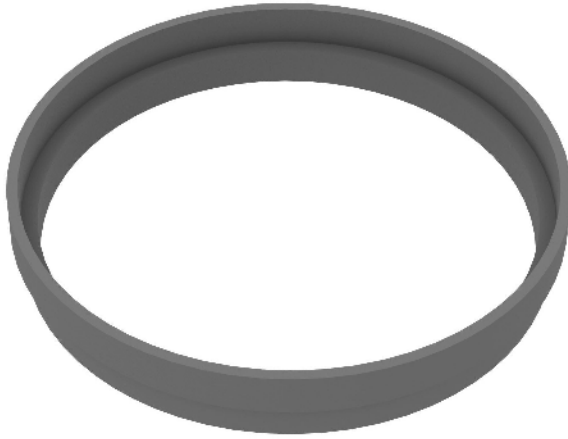
12781

**NOTES:**

- Dimensions are approximate & in inches
- Gray Iron, Class 35B
- Conforms to ASTM A48 / A48M-03 specifications
- Specification: conforms to NYCDEP STD. DWG. SE39



27" X 8" Manhole Riser



RAISE

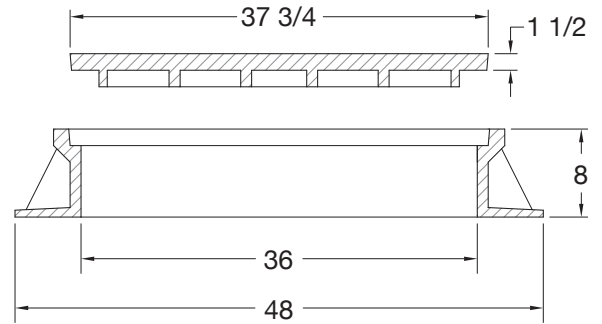
PRODUCT NO.	R
12720	2
12730	3
12740	4

NOTES:

- Dimensions are approximate & in inches
- Gray Iron, Class 35B
- Conforms to ASTM A48 / A48M-03 specifications







PRODUCT NO.

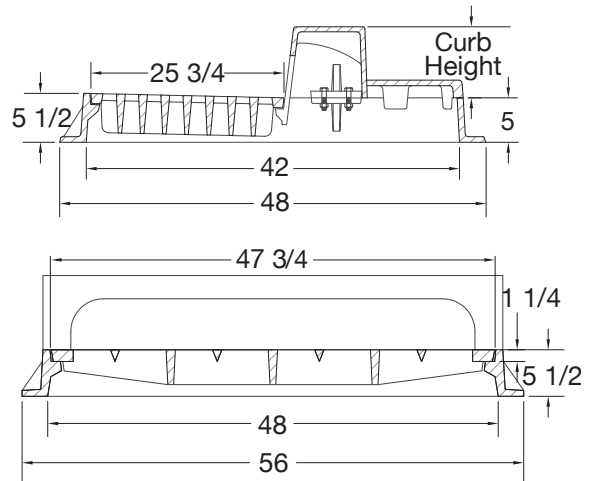
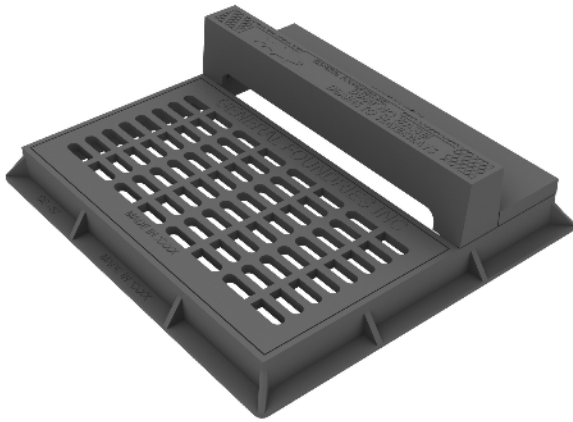
13685

**NOTES:**

- Dimensions are approximate & in inches
- Gray Iron, Class 35B
- Conforms to ASTM A48 / A48M-03 specifications
- Specifications: conforms to NYCDEP STD. DWG. SE39



Type 1 Curb Inlet With Back Plate

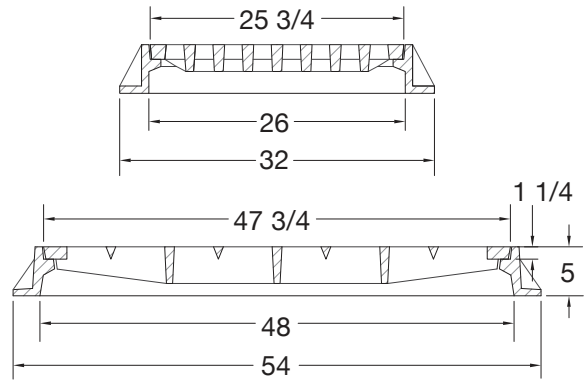
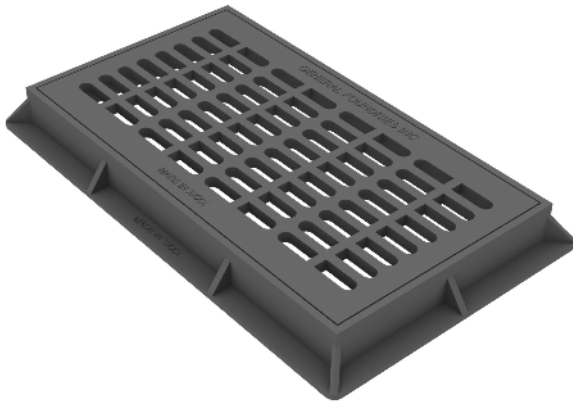


PRODUCT NO.	CURB HEIGHT
22594-6R	6
22594-8R	8

**NOTES:**

- Dimensions are approximate & in inches
- Gray Iron, Class 35B
- Conforms to ASTM A48 / A48M-03 specifications
- Specifications: frame conforms to NYCDEP STD. DWG. SE57, grate and back plate conform to NYCDEP STD.DWG. SE59.





PRODUCT NO.

23407

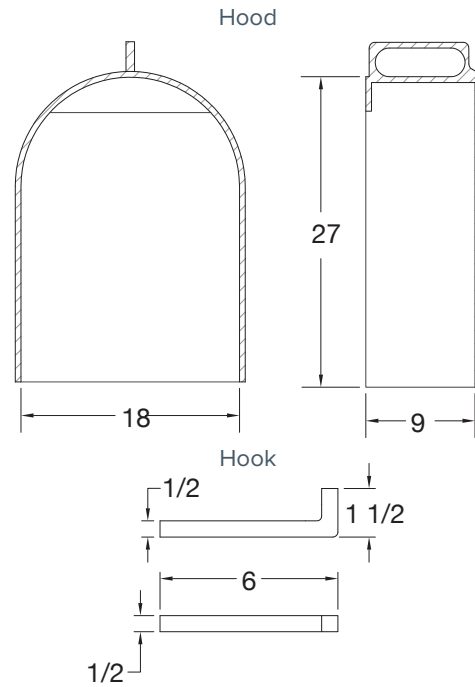
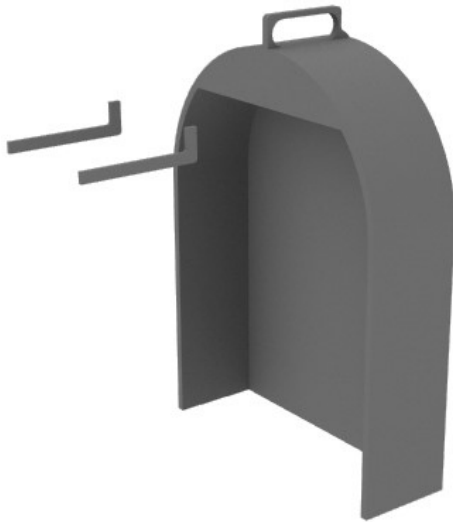
**NOTES:**

- Dimensions are approximate & in inches
- Gray Iron, Class 35B
- Conforms to ASTM A48 / A48M-03 specifications
- Specifications: frame conforms to NYCDEP STD. DWG. SE58, grate and back plate conform to NYCDEP STD. DWG. SE59.



Catch Basin Hood, Hooks

# GENERAL FOUNDRIES

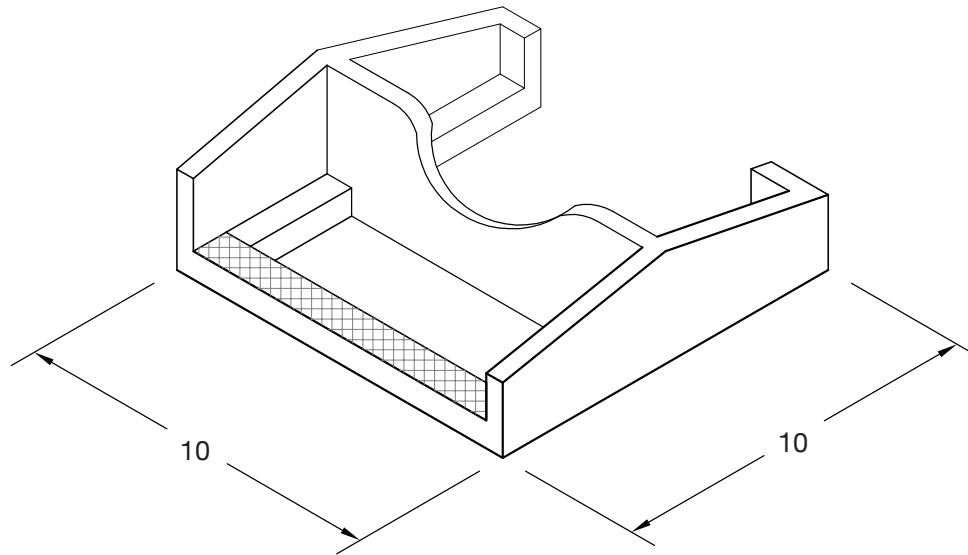


PRODUCT NO.	DESCRIPTION
22564	Catch Basin Hood
22565	Hook

**NOTES:**

- Dimensions are approximate & in inches
- Gray Iron, Class 35B
- Conforms to ASTM A48 / A48M-03 specifications
- Specifications: frame conforms to NYCDEP STD. DWG. SE60.

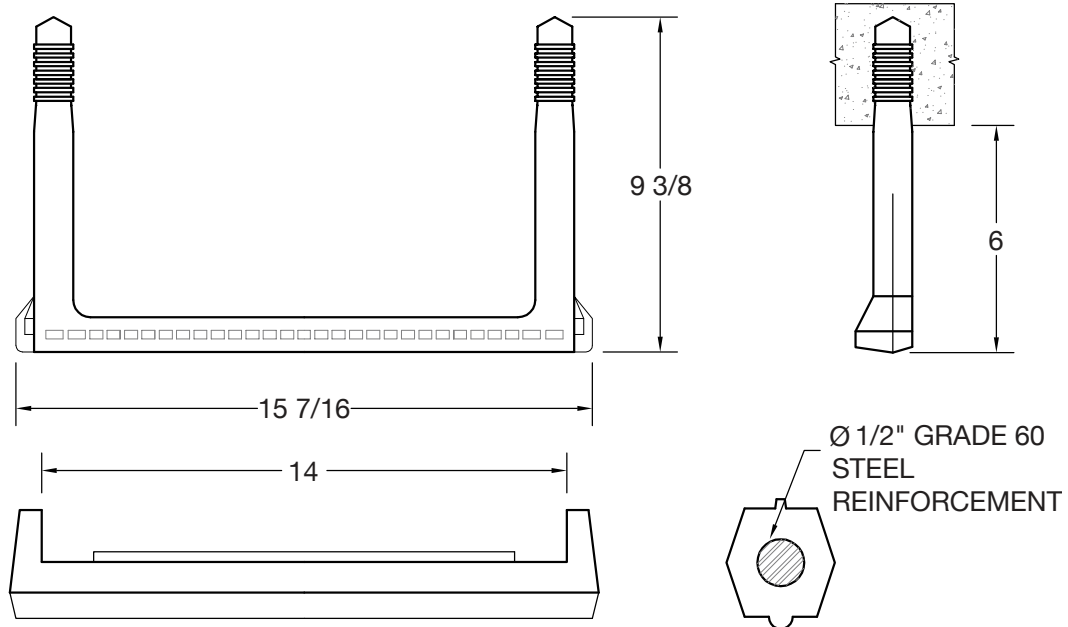




**PRODUCT NO.**

GFC S1

Plastic Manhole Step



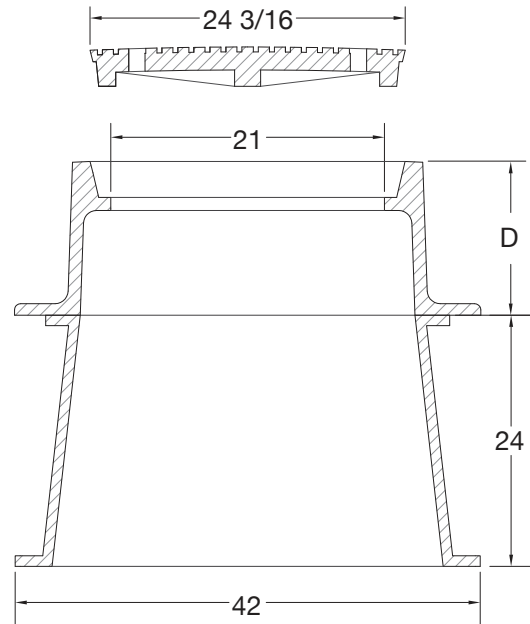
**PRODUCT NO.**

GS2PF

**NOTES:**

- Dimensions are approximate & in inches





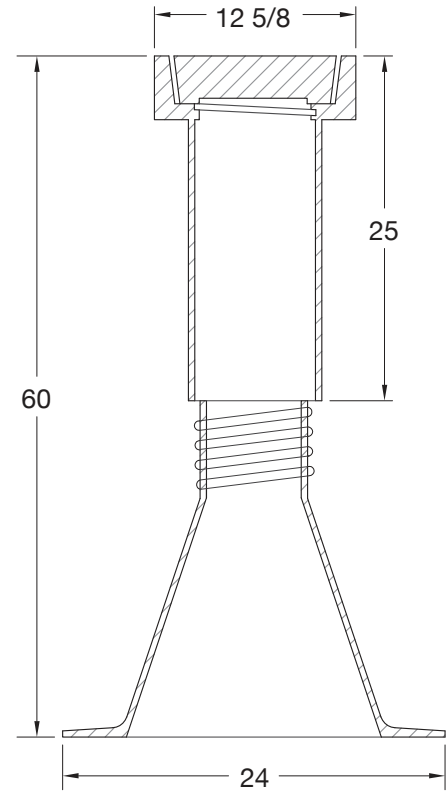
FRAME  
HEIGHT

PRODUCT NO.	D
34400	6
34403	12

**NOTES:**

- Dimensions are approximate & in inches
- Gray Iron, Class 35B
- Conforms to ASTM A48 / A48M-03 specifications
- Specifications: frame and cover conform to NYCDEP STD. DWG. 13547-B-Z, skirt conforms to NYCDEP STD. DWG. 10240-A-Z.





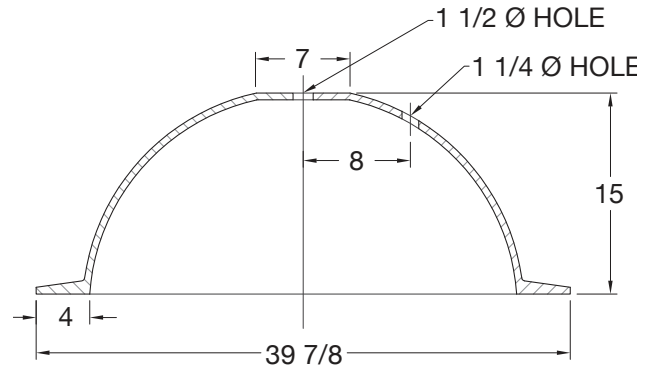
**PRODUCT NO.**

**34425**

**NOTES:**

- Dimensions are approximate & in inches
- Gray Iron, Class 35B
- Conforms to ASTM A48 / A48M-03 specifications
- Specifications: Conforms to NYCDEP STD. DWG. 10241-A-Z



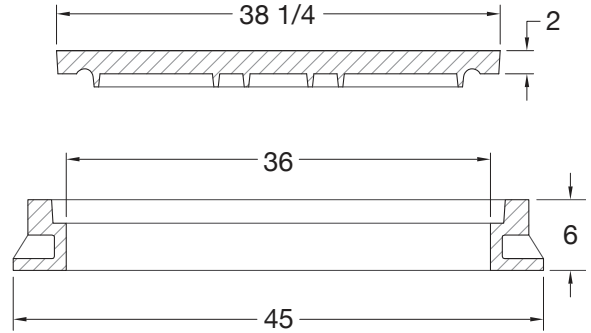
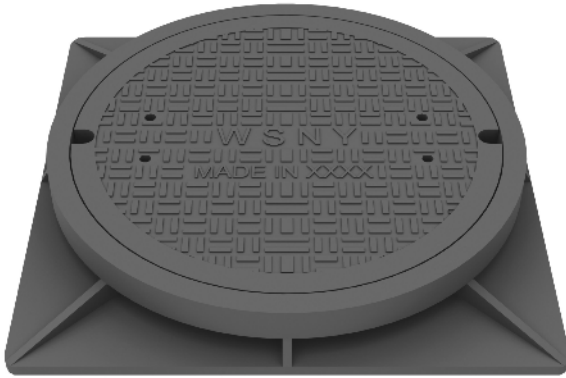


<b>PRODUCT NO.</b>
34435

**NOTES:**

- Dimensions are approximate & in inches
- Gray Iron, Class 35B
- Conforms to ASTM A48 / A48M-03 specifications
- Specifications: Conforms to NYCDEP STD. DWG. 22809-Z.





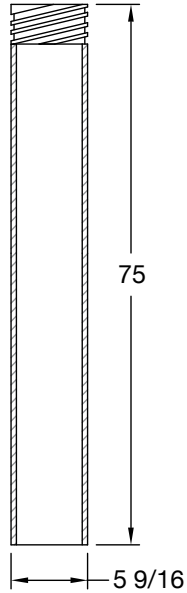
<b>PRODUCT NO.</b>
13861

**NOTES:**

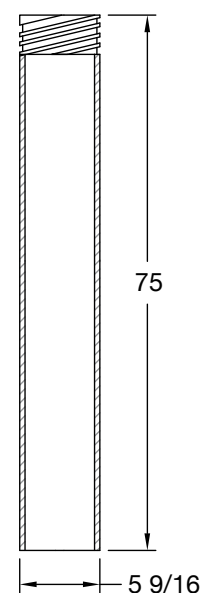
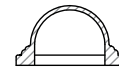
- Dimensions are approximate & in inches
- Gray Iron, Class 35B
- Conforms to ASTM A48 / A48M-03 specifications
- Specifications: Conforms to NYCDEP STD. DWG. 18583-Z.



With  
Standard Cap



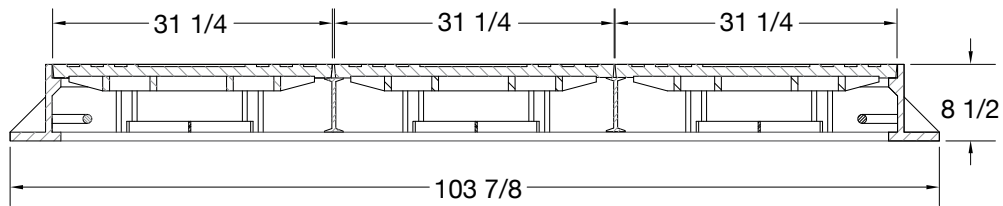
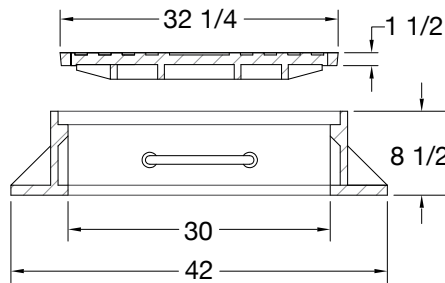
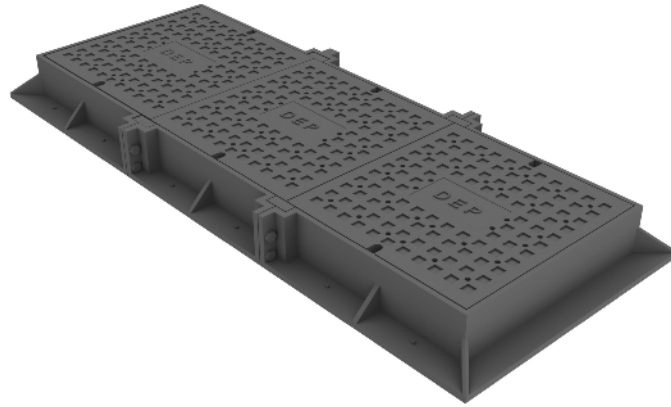
With  
Historical Cap



PRODUCT NO.	CAP
99001	Standard
99002	Historical

**NOTES:**

- Dimensions are approximate & in inches
- Cap: Gray iron, Class 35B
- Conforms to ASTM A48 / A48M-03 specifications
- Fender: Schedule 80 Steel Pipe
- Fender with standard cap conforms to NYC DEP DWG. 45161-A-Z. Fender with historical cap conforms to NYC DEP DWG. 49500-Z.



**PRODUCT NO.**

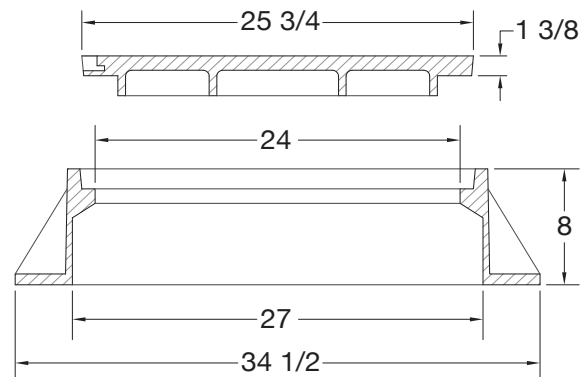
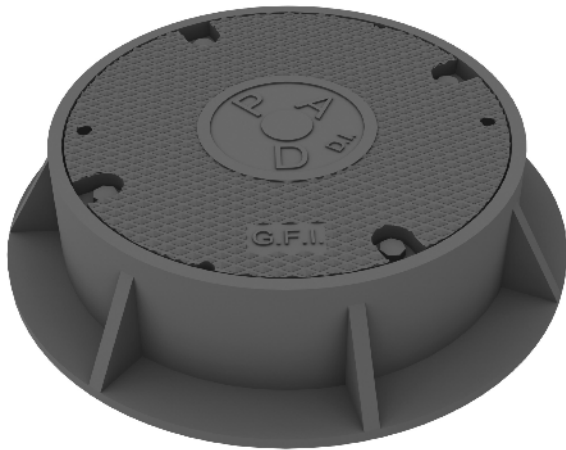
**23008**

**NOTES:**

- Dimensions are approximate & in inches
- Gray Iron, Class 35B
- Conforms to ASTM A48 / A48M-03 specifications
- Bolted covers also available
- Combined unit will be supplied unassembled
- Each additional intermediate unit added between the end units will increase the overall length by 31-3/8"



Drainage Manhole Frame and Cover



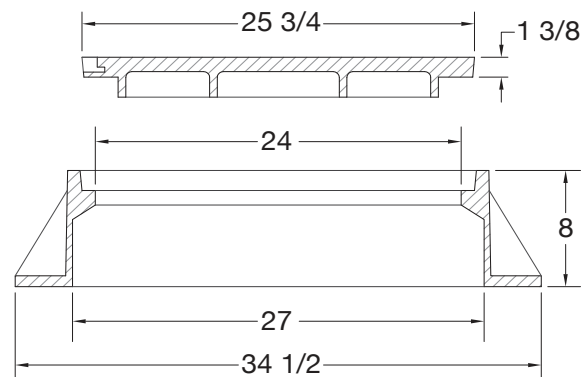
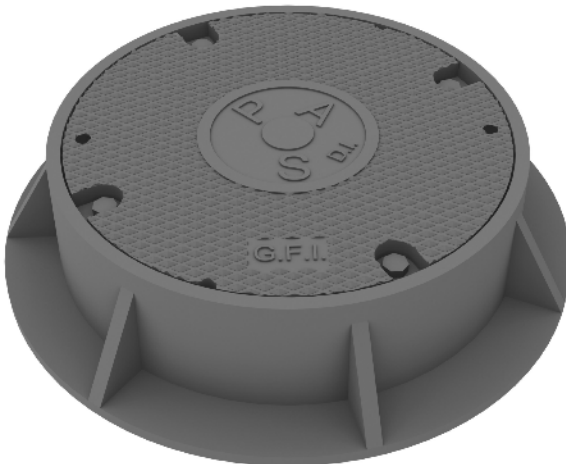
NOTES:

- Dimensions are approximate & in inches
- Gray Iron, Class 35B
- Conforms to ASTM A48 / A48M-03 specifications
- \* Please specify if required in Ductile Iron

PRODUCT NO.

12681PAD

Sanitary Manhole Frame and Cover



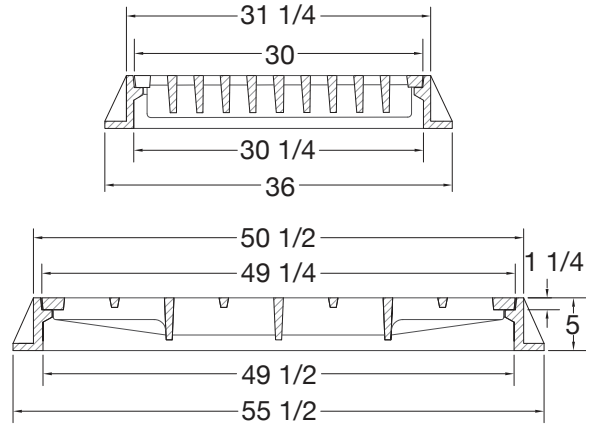
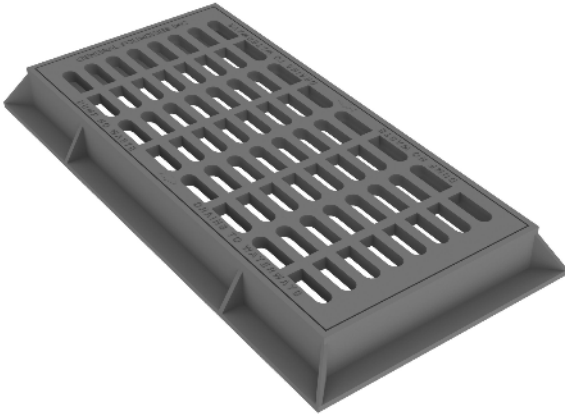
NOTES:

- Dimensions are approximate & in inches
- Gray Iron, Class 35B
- Conforms to ASTM A48 / A48M-03 specifications
- \* Please specify if required in Ductile Iron

PRODUCT NO.

12681PAS

## Type 2 Flush Inlet for Catch Basin



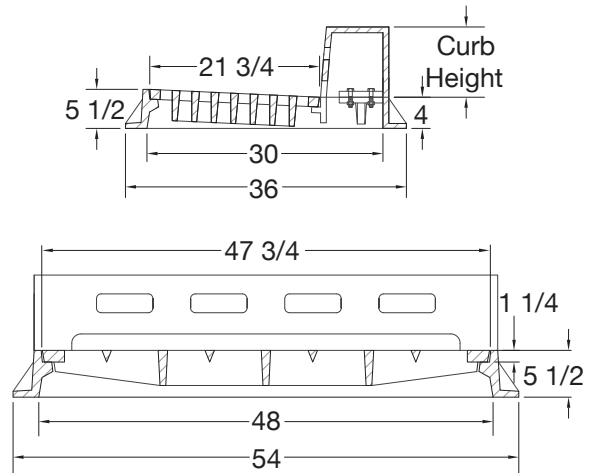
**NOTES:**

- Dimensions are approximate & in inches
- Gray Iron, Class 35B
- Conforms to ASTM A48 / A48M-03 specifications
- \* Please specify if required in Ductile Iron, or with a bolted grate

**PRODUCT NO.**

**23408PA**

## Type 4 Curb Inlet for Catch Basin

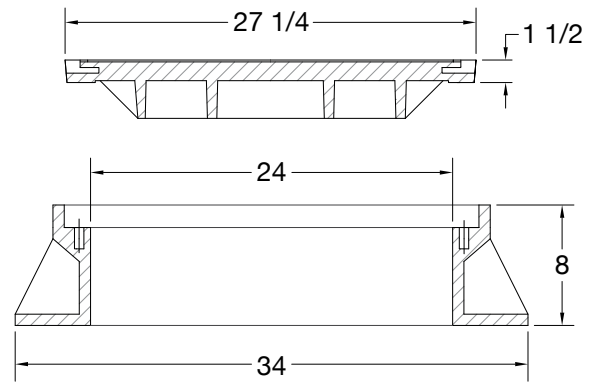
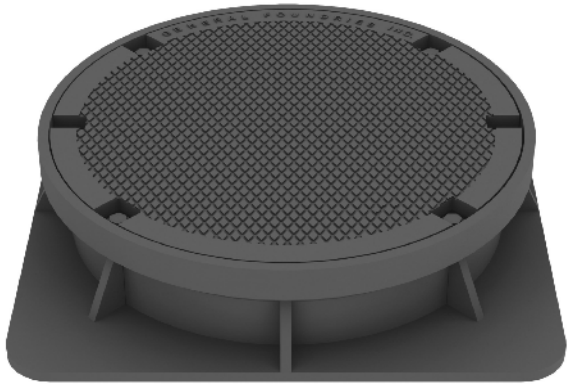


**NOTES:**

- Dimensions are approximate & in inches
- Gray Iron, Class 35B
- Conforms to ASTM A48 / A48M-03 specifications
- \* Please specify if required in Ductile Iron, or with a bolted grate

PRODUCT NO.	CURB HEIGHT
22617-6N	6
22617-8N	8





<b>PRODUCT NO.</b>
12786

**NOTES:**

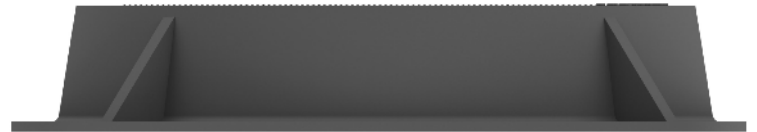
- Dimensions are approximate & in inches
- Frame: Gray Iron, Class 30B
- Conforms to ASTM A48 / A48M-03 specifications
- Cover: Ductile Iron
- Conforms to ASTM A536 specifications



Plan



Elevation



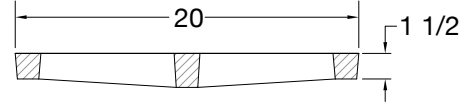
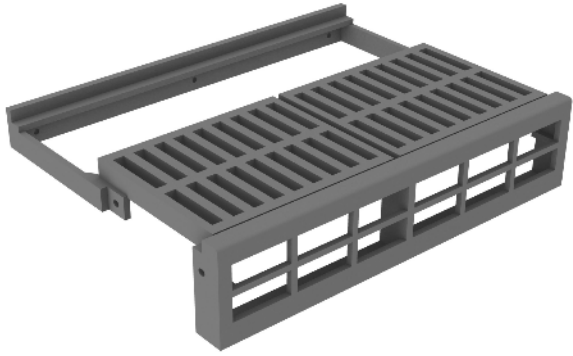
PRODUCT NO.

PAAPT

**NOTES:**

- Dimensions are approximate & in inches
- Frame: Gray Iron, Class 30B
- Conforms to ASTM A48 / A48M-03 specifications
- Cover: Ductile Iron
- Conforms to ASTM A536 specifications



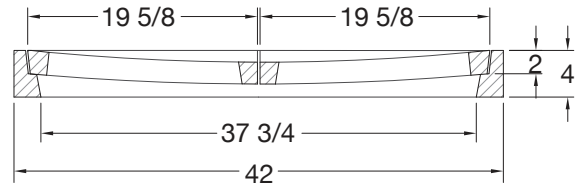
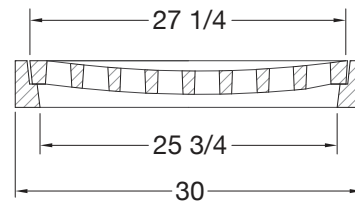
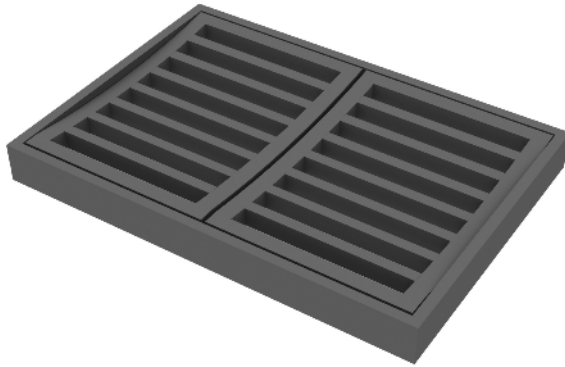


PRODUCT NO.
JFKCI

**NOTES:**

- Dimensions are approximate & in inches
- Gray Iron, Class 30B
- Conforms to ASTM A48 / A48M-03 specifications





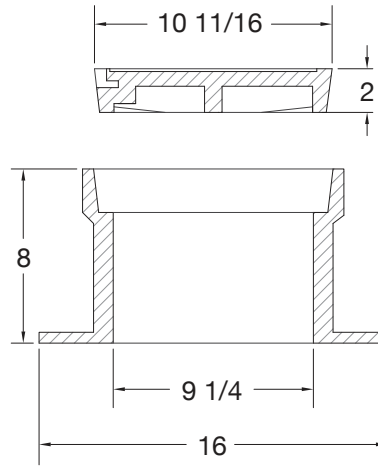
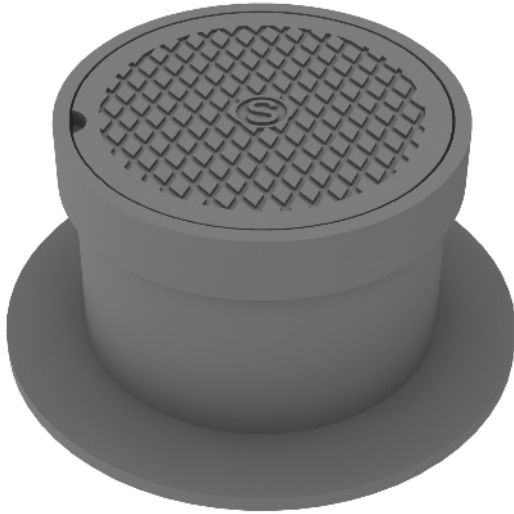
PRODUCT NO.

28416

**NOTES:**

- Dimensions are approximate & in inches
- Gray Iron, Class 30B
- Conforms to ASTM A48 / A48M-03 specifications
  - \* Please specify if required in Class 35B or Ductile Iron
- Specifications: Conforms to North Carolina DOT DWG. 840-16



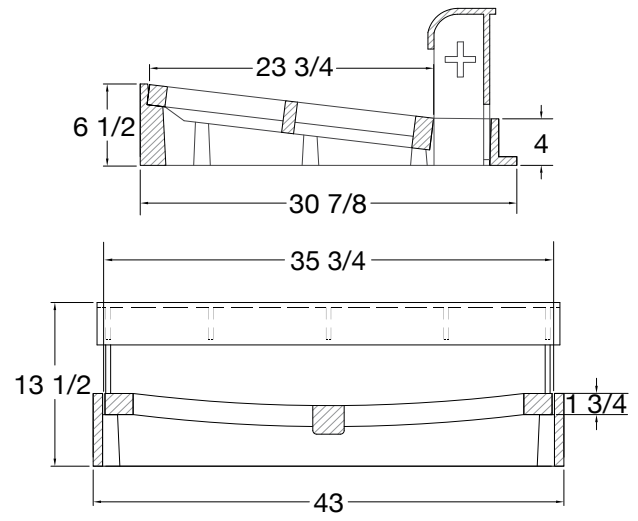


<b>PRODUCT NO.</b>
11081

**NOTES:**

- Dimensions are approximate & in inches
- Gray Iron, Class 30B
- Conforms to ASTM A48 / A48M-03 specifications
- \* Please specify if required in Class 35B or Ductile Iron





**PRODUCT NO.**

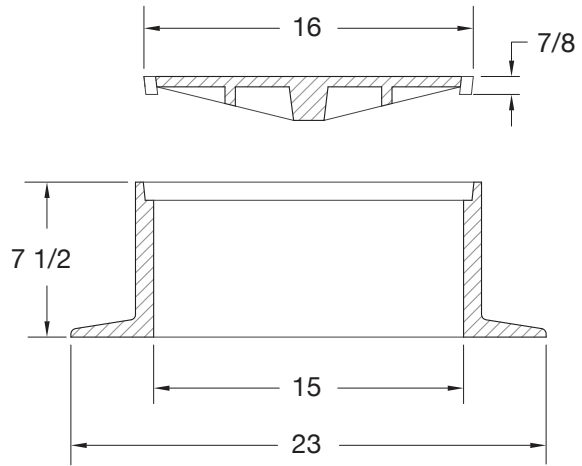
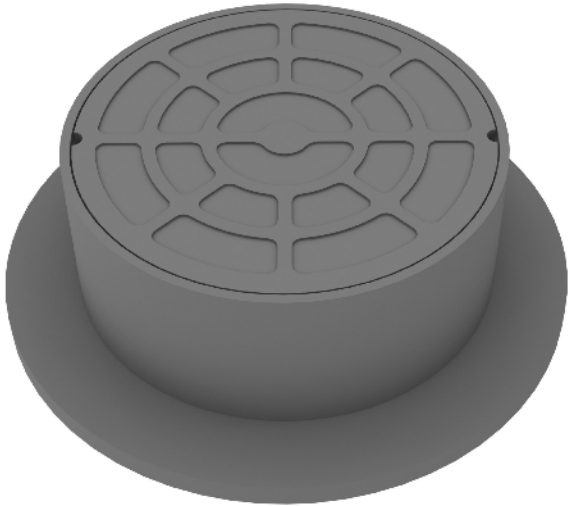
**28403**

**NOTES:**

- Dimensions are approximate & in inches
- Gray Iron, Class 30B
- Conforms to ASTM A48 / A48M-03 specifications
  - \* Please specify if required in Class 35B or Ductile Iron
- Specifications: Conforms to North Carolina DOT DWG. 840-03



Monument Box

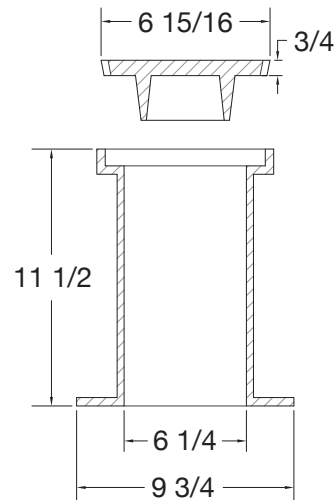


NOTES:

- Dimensions are approximate & in inches
- Gray Iron, Class 30B
- Conforms to ASTM A48 / A48M-03 specifications
  - \* Please specify if required in Class 35B or Ductile Iron
- Markings: Plain, Cleanout, Sewer
  - \* Custom markings / logos available upon request

<b>PRODUCT NO.</b>
11671

Cleanout Box

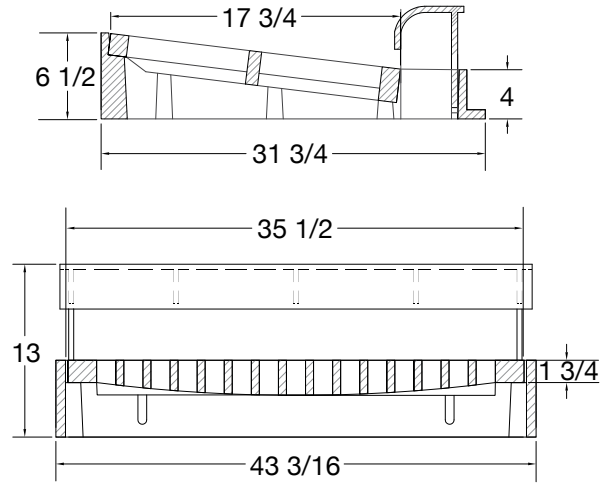


NOTES:

- Dimensions are approximate & in inches
- Gray Iron, Class 30B
- Conforms to ASTM A48 / A48M-03 specifications
  - \* Please specify if required in Class 35B or Ductile Iron

<b>PRODUCT NO.</b>
10711





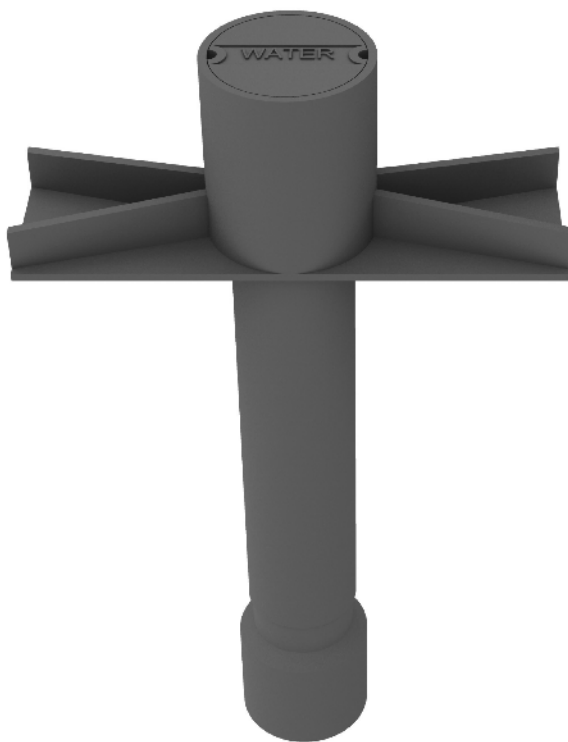
PRODUCT NO.

20074

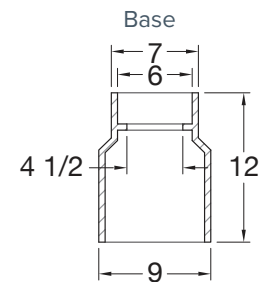
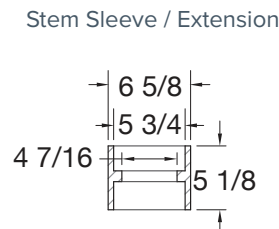
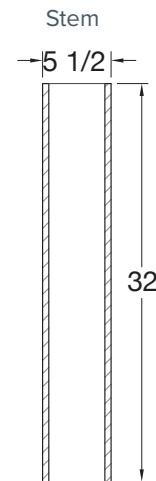
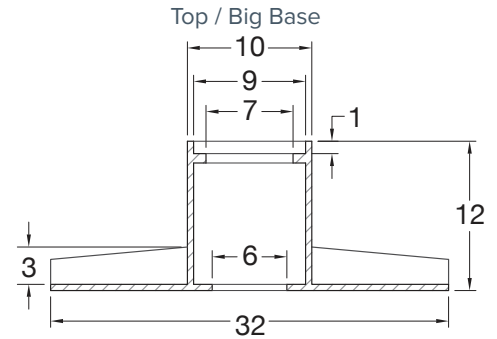
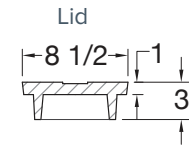
**NOTES:**

- Dimensions are approximate & in inches
- Gray Iron, Class 30B
- Conforms to ASTM A48 / A48M-03 specifications
- \* Please specify if required in Class 35B or Ductile Iron





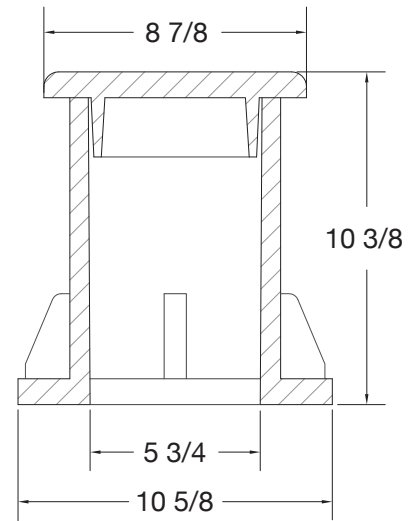
<b>PRODUCT NO.</b>
COLVB



**NOTES:**

- Dimensions are approximate & in inches
- Gray Iron, Class 30B
- Conforms to ASTM A48 / A48M-03 specifications
  - \* Please specify if required in Class 35B or Ductile Iron
- Markings: Plain, Sewer, Water
  - \* Custom markings / logos available upon request
- 1-1/4" & 1-1/2" cast iron risers available





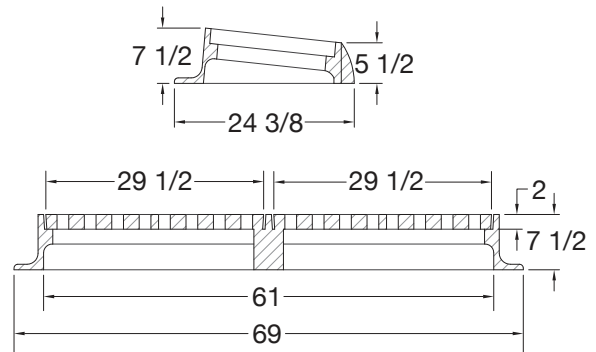
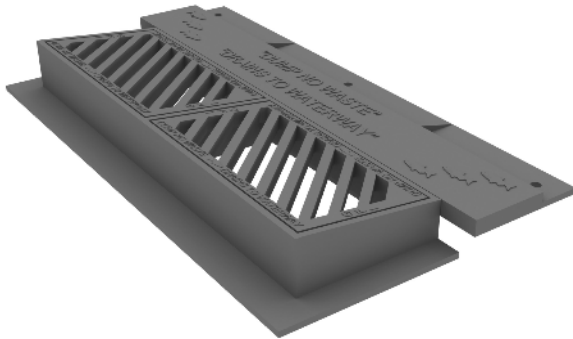
**PRODUCT NO.**

**36108**

**NOTES:**

- Dimensions are approximate & in inches
- Gray Iron, Class 30B
- Conforms to ASTM A48 / A48M-03 specifications
  - \* Please specify if required in Class 35B or Ductile Iron
- Use for valves between 3/4"-2"





PRODUCT NO.

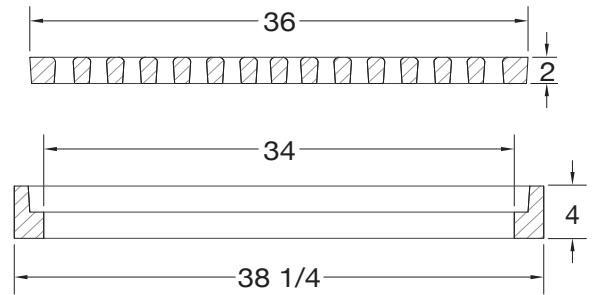
OHCBN

**NOTES:**

- Dimensions are approximate & in inches
- Gray Iron, Class 30B
- Conforms to ASTM A48 / A48M-03 specifications
  - \* Please specify if required in Class 35B or Ductile Iron
- Grate also available in "Vane" style



## Catch Basin Frame and Grate

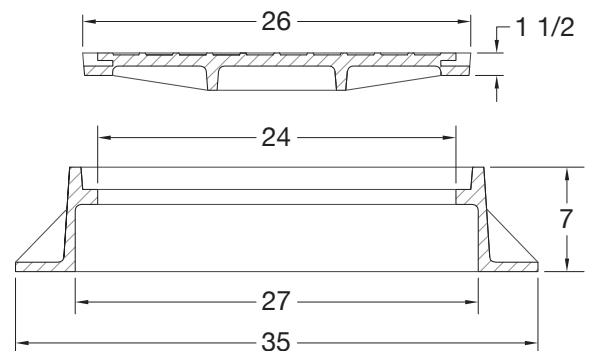


**NOTES:**

- Dimensions are approximate & in inches
- Gray Iron, Class 30B
- Conforms to ASTM A48 / A48M-03 specifications
- \* Please specify if required in Class 35B or Ductile Iron

<b>PRODUCT NO.</b>
<b>20364</b>

## Manhole Frame and Cover



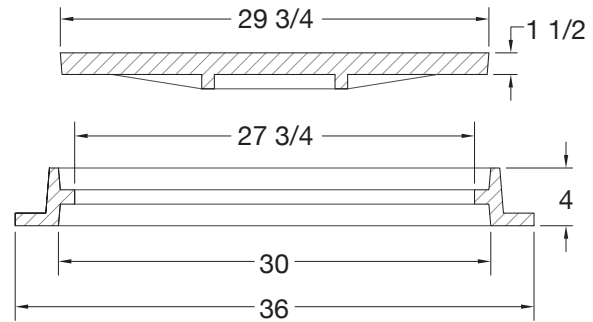
**NOTES:**

- Dimensions are approximate & in inches
- Gray Iron, Class 30B
- Conforms to ASTM A48 / A48M-03 specifications
- \* Please specify if required in Class 35B or Ductile Iron
- Optional bolted and gasketed cover available
- Watertight assembly also available

<b>PRODUCT NO.</b>
<b>12671</b>



Manhole Frame and Cover

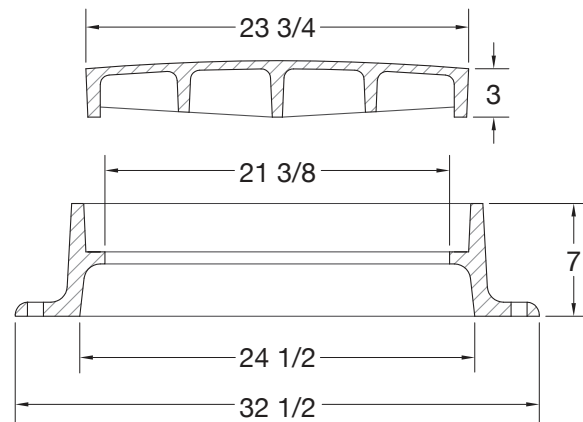


NOTES:

- Dimensions are approximate & in inches
- Gray Iron, Class 30B
- Conforms to ASTM A48 / A48M-03 specifications
- \* Please specify if required in Class 35B or Ductile Iron

<b>PRODUCT NO.</b>
13041

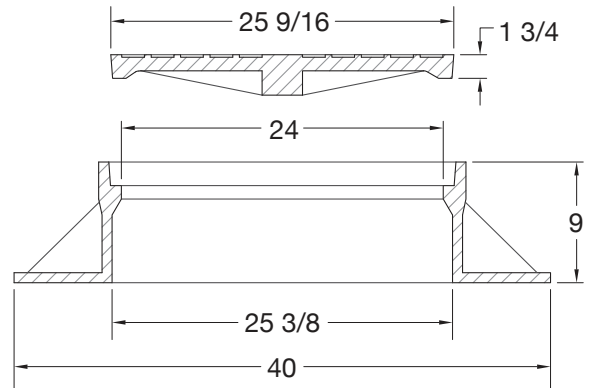
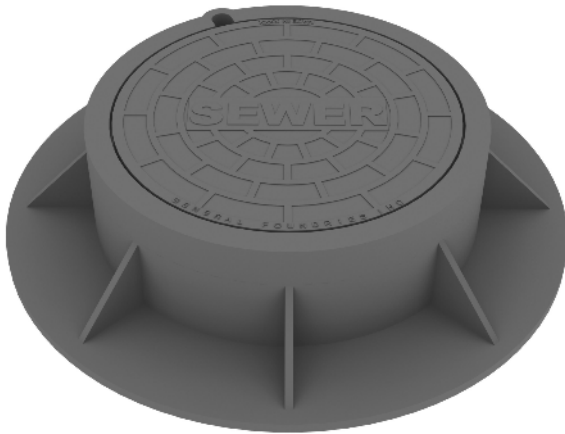
Manhole Frame and Cover



NOTES:

- Dimensions are approximate & in inches
- Gray Iron, Class 30B
- Conforms to ASTM A48 / A48M-03 specifications
- \* Please specify if required in Class 35B or Ductile Iron

<b>PRODUCT NO.</b>
12478



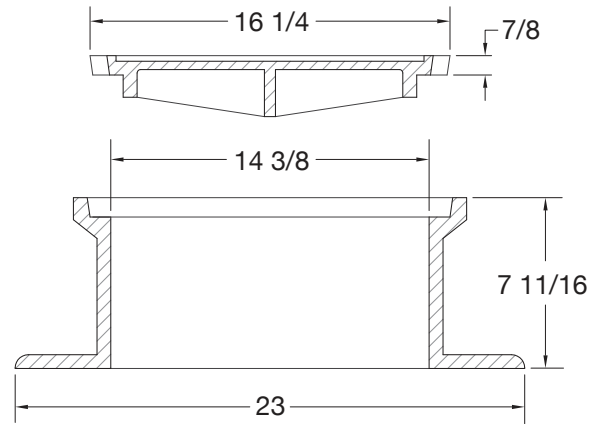
**PRODUCT NO.**

**RI269**

**NOTES:**

- Dimensions are approximate & in inches
- Gray Iron, Class 30B
- Conforms to ASTM A48 / A48M-03 specifications
  - \* Please specify if required in Class 35B or Ductile Iron
- Markings: Drain, Electric, Sewer
  - \* Custom markings / logos available upon request

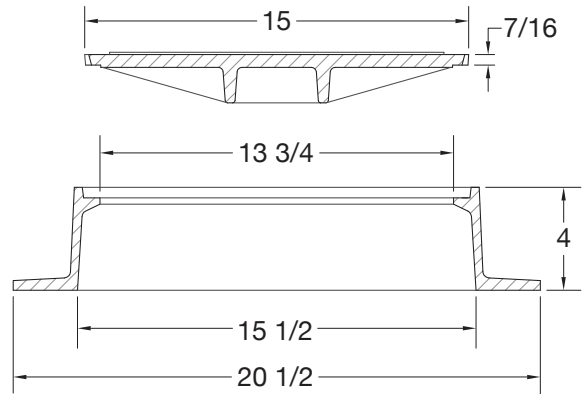




PRODUCT NO.
3NNVB

**NOTES:**

- Dimensions are approximate & in inches
- Gray Iron, Class 30B
- Conforms to ASTM A48 / A48M-03 specifications
- \* Please specify if required in Class 35B or Ductile Iron



PRODUCT NO.

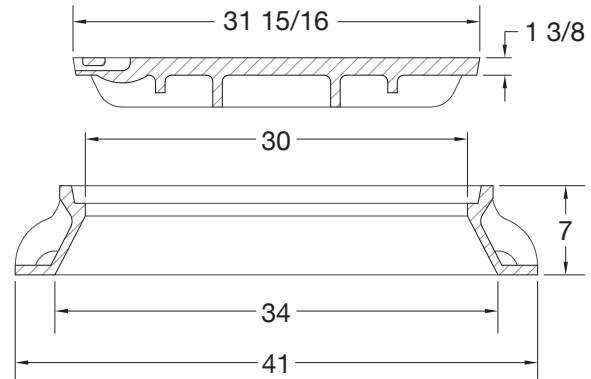
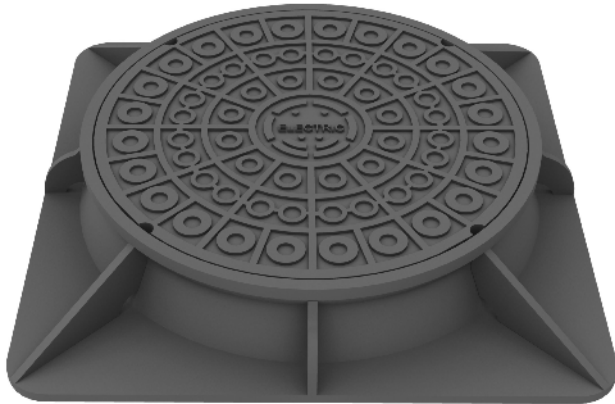
CWBVB

**NOTES:**

- Dimensions are approximate & in inches
- Gray Iron, Class 30B
- Conforms to ASTM A48 / A48M-03 specifications
  - \* Please specify if required in Class 35B or Ductile Iron



Manhole Frame and Cover



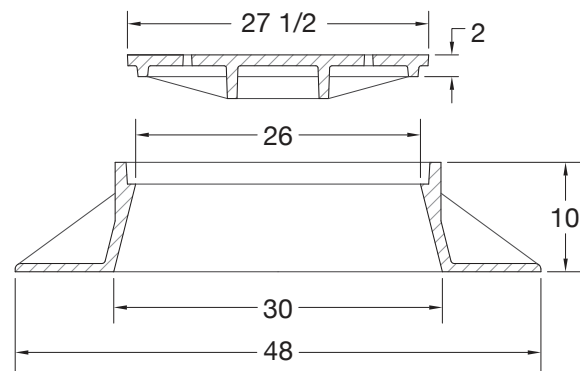
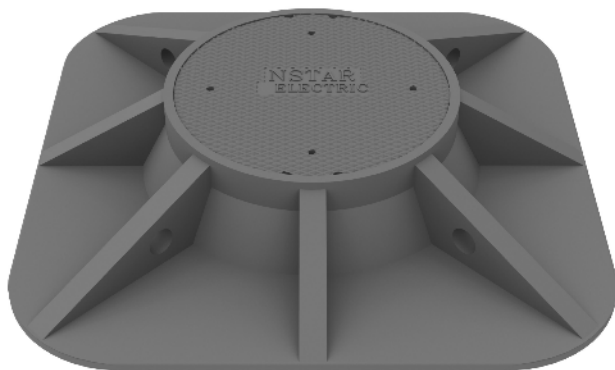
NOTES:

- Dimensions are approximate & in inches
- Gray Iron, Class 30B
- Conforms to ASTM A48 / A48M-03 specifications
  - \* Please specify if required in Class 35B or Ductile Iron
- Markings: Plain, Communication, Electric, Telephone
  - \* Custom markings / logos available upon request

PRODUCT NO.

13278

Manhole Frame and Cover



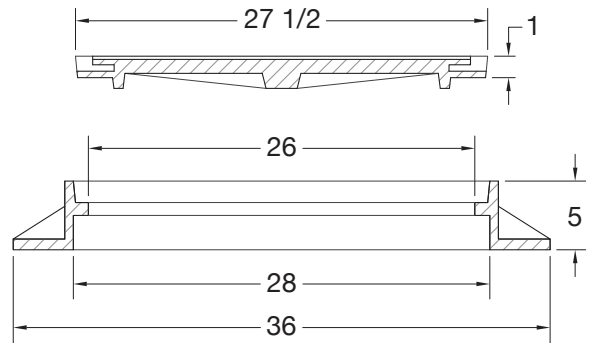
NOTES:

- Dimensions are approximate & in inches
- Gray Iron, Class 30B
- Conforms to ASTM A48 / A48M-03 specifications
  - \* Please specify if required in Class 35B or Ductile Iron
- Markings: N-Star Electric
  - \* Custom markings / logos available upon request

PRODUCT NO.

12818

Manhole Frame and Cover

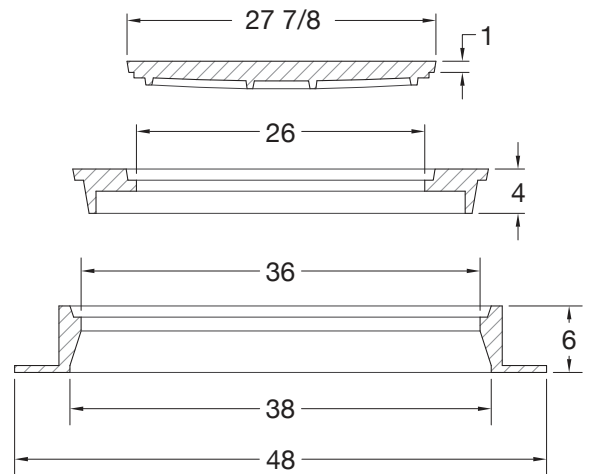
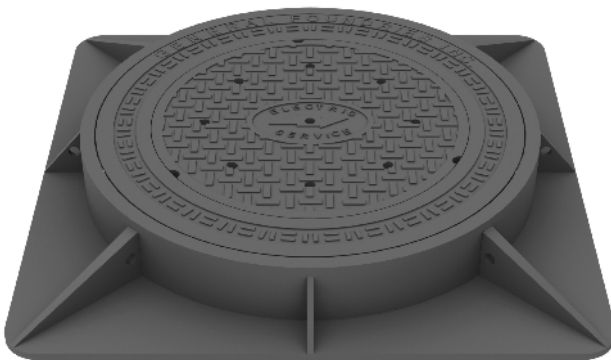


**NOTES:**

- Dimensions are approximate & in inches
- Gray Iron, Class 30B
- Conforms to ASTM A48 / A48M-03 specifications
- \* Please specify if required in Class 35B or Ductile Iron

<b>PRODUCT NO.</b>
<b>12858</b>

Manhole Frame and Cover



**NOTES:**

- Dimensions are approximate & in inches
- Gray Iron, Class 30B
- Conforms to ASTM A48 / A48M-03 specifications
- \* Please specify if required in Class 35B or Ductile Iron
- Markings: Electric Service
- \* Custom markings / logos available upon request

<b>PRODUCT NO.</b>
<b>13868</b>



**Manhole Frames and Covers**

Product No.	Dimensions (Cvr Dia x Frm Height)	Page No.
11237*	12 x 3	MH-1
11861	17-7/8 x 6	MH-2
11837*	18 x 3	MH-1
11839*	18 x 3	MH-10
12037*	20 x 3	MH-1
12061	20 x 6	MH-2
12341	23-1/2 x 4	MH-6
12371	23-1/2 x 7-1/2	MH-6
12373	23-1/2 x 7-1/2	MH-9
12376*	23-1/2 x 7-1/2	MH-13
12421	23-3/4 x 2	MH-9
12437*	23-3/4 x 3	MH-1
12439*	23-3/4 x 3	MH-10
12361	23-3/4 x 6	MH-8
12369	23-3/4 x 6	MH-9
12369**	23-3/4 x 6	MH-13
12381	23-3/4 x 8	MH-8
12441	24 x 4	MH-2
12448	24 x 4	MH-4
12441R*	24 x 4	MH-3
12446**	24 x 4	MH-11
12461	24 x 6	MH-2
12466**	24 x 6	MH-11
12471	24 x 7	MH-2
12476**	24 x 7	MH-11
12481	24 x 8	MH-2
12486**	24 x 8	MH-11
12641	25-3/4 x 4	MH-2
12641R*	25-3/4 x 4	MH-3
12661	25-3/4 x 6	MH-2
12681	25-3/4 x 8	MH-2
12683	25-3/4 x 8	MH-5
12686**	25-3/4 x 8-1/8	MH-11
12583	25-3/8 x 8	MH-5
12640	26 x 4	MH-2
12643	26 x 4	MH-7
12645	26 x 4	MH-4
12649**	26 x 4	MH-11
12649**	26 x 4	MH-12
12660	26 x 6	MH-2

**Manhole Frames and Covers Continued**

Product No.	Dimensions (Cvr Dia x Frm Height)	Page No.
12665	26 x 6	MH-4
12669**	26 x 6	MH-11
12669**	26 x 6	MH-12
12673	26 x 7-1/2	MH-7
12680	26 x 8	MH-2
12688**	26 x 8	MH-14
12689**	26 x 8-1/2	MH-12
12685	26 x 8-1/8	MH-4
12689**	26 x 8-1/8	MH-11
12741	26-3/4 x 4	MH-2
12781	26-3/4 x 8	MH-2
12888**	28 x 8	MH-14
13037*	29-3/4 x 3	MH-1
13039**	29-3/4 x 3	MH-10
13251	31-5/8 x 4	MH-2
13256**	31-5/8 x 4	MH-11
13261	31-5/8 x 6	MH-2
13266**	31-5/8 x 6	MH-11
13281	31-5/8 x 8	MH-2
13286**	31-5/8 x 8	MH-11
13288**	31-5/8 x 8	MH-14
13241	32 x 4	MH-2
13241R*	32 x 4	MH-3
13246**	32 x 4	MH-11
13271	32 x 6-1/2	MH-2
13276**	32 x 6-1/2	MH-11
13641	37-3/4 x 4	MH-2
13641R*	37-3/4 x 4	MH-3
13646**	37-3/4 x 4	MH-11
13661	37-3/4 x 6	MH-2
13666**	37-3/4 x 6	MH-11
13681	37-3/4 x 8	MH-2
13687	37-3/4 x 8	MH-7
13686**	37-3/4 x 8	MH-11
13689**	37-3/4 x 8	MH-12

\* reversible frame  
 \*\* watertight assembly  
 \*\*\* gasketed cover

**Manhole Frames and Grates**

Product No.	Dimensions (Grt Dia x Raise)	Grate Type	Page No.
11248	10-1/4 x 4	ADA Comp	MH-21
11238*	12 x 3	Slotted	MH-15
11548	13-1/4 x 4	ADA Comp	MH-21
11848	16-1/4 x 4	ADA Comp	MH-21
11862	17-7/8 x 6	Slotted	MH-16
11838*	18 x 3	Slotted	MH-15
12038*	20 x 3	Slotted	MH-15
12438*	23-3/4 x 3	Slotted	MH-15
12442	24 x 4	Slotted	MH-16
12444	24 x 4	Sq Hole	MH-20
12449	24 x 4	ADA Comp	MH-18
12447**	24 x 4	Slotted	MH-17
12462	24 x 6	Slotted	MH-16
12464	24 x 6	Sq Hole	MH-20
12467**	24 x 6	Slotted	MH-17
12472	24 x 7	Slotted	MH-16
12474	24 x 7	Sq Hole	MH-20
12482	24 x 8	Slotted	MH-16
12484	24 x 8	Sq Hole	MH-20
12487**	24 x 8	Slotted	MH-17
12680	25-3/4 x 8	Slotted	MH-19
12580	25-3/8 x 8	Slotted	MH-19
12642	26 x 4	Slotted	MH-16
12644	26 x 4	Slotted	MH-18
12662	26 x 6	Slotted	MH-16
12664	26 x 6	Slotted	MH-18
12682	26 x 8	Slotted	MH-16
12684	26 x 8	Slotted	MH-18
12707	27-1/2	Beehive	MH-22
13007	30	Flat	MH-22
13252	31-5/8 x 4	Slotted	MH-16
13262	31-5/8 x 6	Slotted	MH-16
13282	31-5/8 x 8	Slotted	MH-16
13242	32 x 4	Slotted	MH-16
13272	32 x 6-1/2	Slotted	MH-16
13642	37-3/4 x 4	Slotted	MH-16
13662	37-3/4 x 6	Slotted	MH-16
13682	37-3/4 x 8	Slotted	MH-16

\* reversible frame  
 \*\* bolted assembly





### Manhole Risers (Cast Iron)

Product No.	Dimensions (Cvr Dia x Raise)	Page No.
11615	16 x 1-1/2	MH-23
12215	23-1/2 x 1-1/2	MH-23
12315	23-1/2 x 1-1/2	MH-23
12312	23-1/2 x 1-1/4	MH-23
12317	23-1/2 x 1-3/4	MH-23
12320	23-1/2 x 2	MH-23
12321	23-1/2 x 2	MH-23
12330	23-1/2 x 3	MH-23
12340	23-1/2 x 4	MH-23
12360	23-1/2 x 6	MH-23
12322	23-3/4 x 2	MH-23
12325	23-3/4 x 2-1/2	MH-23
12230	23-3/4 x 3	MH-23
12240	23-3/4 x 4	MH-23
12260	23-3/4 x 6	MH-23
12415	24 x 1-1/2	MH-23
12420	24 x 2	MH-23
12615	25-3/4 x 1-1/2	MH-23
12620	25-3/4 x 2	MH-23
12525	25-3/8 x 2-1/2	MH-23
12616	26 x 1-1/2	MH-23
12621	26 x 2	MH-23
12720	26-3/4 x 2	MH-23
13220	31-5/8 x 2	MH-23

### Manhole Risers (Steel)

Product No.	Dimensions (Cvr Dia x Raise)	Page No.
SAR2410	24 x 1	MH-25
SFR2410	24 x 1	MH-24
SAR2415	24 x 1-1/2	MH-25
SFR2415	24 x 1-1/2	MH-24
SFR2420	24 x 2	MH-24
SFR2425	24 x 2-1/2	MH-24
SFR2430	24 x 3	MH-24
SFR2510	25-5/8 x 1	MH-24
SFR2515	25-5/8 x 1-1/2	MH-24
SFR2520	25-5/8 x 2	MH-24
SAR2611	26 x 1	MH-25
SFR2611	26 x 1	MH-24
SAR2616	26 x 1-1/2	MH-25

### Manhole Risers (Steel) - Continued

Product No.	Dimensions (Cvr Dia x Raise)	Page No.
SFR2616	26 x 1-1/2	MH-24
SAR2621	26 x 2	MH-25
SFR2621	26 x 2	MH-24
SFR2626	26 x 2-1/2	MH-24
SFR2631	26 x 3	MH-24
SFR2720	26-3/4 x 2	MH-24
SAR3210	31-5/8 x 1	MH-25
SFR3210	31-5/8 x 1	MH-24
SAR3215	31-5/8 x 1-1/2	MH-25
SFR3215	31-5/8 x 1-1/2	MH-24
SAR3220	31-5/8 x 2	MH-25
SFR3220	31-5/8 x 2	MH-24
SAR3209	32 x 1	MH-25
SAR3214	32 x 1-1/2	MH-25
SAR3219	32 x 2	MH-25

SFR = Fixed Type  
SAR = Adjustable Type

### Square Frames and Covers

Product No.	Dimensions (Cvr L x W x Frm Height)	Page No.	Flanges
21230*	12 x 12 x 3	CB-1	4
21830*	18 x 18 x 3	CB-1	4
22530	24 x 24 x 2-1/2	CB-2	4
24365*	24 x 36 x 4	CB-3	4
24366***	24 x 36 x 4	CB-3	4
23130	30 x 30 x 2-1/2	CB-2	4
22436-3**	24 x 24 x 4	CB-5	3
22443CVR	24 x 24 x 4	CB-4	3
22444CVR	24 x 24 x 4	CB-4	4
22466-3**	24 x 24 x 4	CB-5	3
22446-4**	24 x 24 x 6	CB-5	4
22463CVR	24 x 24 x 6	CB-4	3
22464CVR	24 x 24 x 6	CB-4	4
22486-3**	24 x 24 x 6	CB-5	3
22466-4**	24 x 24 x 8	CB-5	4
22483CVR	24 x 24 x 8	CB-4	3
22484CVR	24 x 24 x 8	CB-4	4
22486-4**	24 x 24 x 8	CB-5	4

\* reversible frame  
\*\* watertight assembly  
\*\*\* bolted assembly

### Catch Basin Frames and Grates

Product No.	Dimensions (Grt L x W x Frm Height)	Grate Type	Page No.	Flanges
21232*	12 x 12 x 3	Slotted	CB-6	4
21833*	18 x 18 x 3	Slotted	CB-6	4
22143	21 x 23 x 4	Rect Hole	CB-12	3
22144	21 x 23 x 4	Rect Hole	CB-12	4
22163	21 x 23 x 6	Rect Hole	CB-12	3
22164	21 x 23 x 6	Rect Hole	CB-12	4
22183	21 x 23 x 8	Rect Hole	CB-12	3
22184	21 x 23 x 8	Rect Hole	CB-12	4
22533	24 x 24 x 2-1/2	Slotted	CB-8	4
22534	24 x 24 x 2-1/2	Sq Hole	CB-8	4
22402***	24 x 24 x 2-1/4	Slotted	CB-10	4
22433*	24 x 24 x 3-3/8	Slotted	CB-7	4
22434*	24 x 24 x 3-3/8	Sq Hole	CB-7	4
22443ADA	24 x 24 x 4	ADA Comp	CB-13	3
22443BAR	24 x 24 x 4	Bar	CB-17	3
22443BS	24 x 24 x 4	Bike Safe	CB-16	3
22443CAS	24 x 24 x 4	Cascade	CB-14	3
22443SQH	24 x 24 x 4	Sq Hole	CB-15	3
22444ADA	24 x 24 x 4	ADA Comp	CB-13	4
22444BAR	24 x 24 x 4	Bar	CB-17	4
22444CAS	24 x 24 x 4	Cascade	CB-14	4
22444SQH	24 x 24 x 4	Sq Hole	CB-15	4
22464BS	24 x 24 x 4	Bike Safe	CB-16	4
22444BS	24 x 24 x 6	Bike Safe	CB-16	3
22463ADA	24 x 24 x 6	ADA Comp	CB-13	3
22463BAR	24 x 24 x 6	Bar	CB-17	3
22463CAS	24 x 24 x 6	Cascade	CB-14	3
22463SQH	24 x 24 x 6	Sq Hole	CB-15	3
22464ADA	24 x 24 x 6	ADA Comp	CB-13	4
22464BAR	24 x 24 x 6	Bar	CB-17	4
22464CAS	24 x 24 x 6	Cascade	CB-14	4
22464SQH	24 x 24 x 6	Sq Hole	CB-15	4
22483BS	24 x 24 x 6	Bike Safe	CB-16	4
22463BS	24 x 24 x 8	Bike Safe	CB-16	3
22483ADA	24 x 24 x 8	ADA Comp	CB-13	3
22483BAR	24 x 24 x 8	Bar	CB-17	3
22483CAS	24 x 24 x 8	Cascade	CB-14	3
22483SQH	24 x 24 x 8	Sq Hole	CB-15	3
22484ADA	24 x 24 x 8	ADA Comp	CB-13	4
22484BAR	24 x 24 x 8	Bar	CB-17	4
22484BS	24 x 24 x 8	Bike Safe	CB-16	4



**Catch Basin Frames and Grates**

Product No.	Dimensions (Grt L x W x Frm Height)	Grate Type	Page No.	Flanges
22484CAS	24 x 24 x 8	Cascade	CB-14	4
22484CAS	24 x 24 x 8	Cascade	CB-14	4
22484SQH	24 x 24 x 8	Sq Hole	CB-15	4
22484SQH	24 x 24 x 8	Sq Hole	CB-15	4
24363□	24 x 36 x 4	Slotted	CB-9	4
24363□	24 x 36 x 4	Slotted	CB-9	4
24843ADA	24 x 48 x 4	ADA Comp	CB-18	3
24843ADA	24 x 48 x 4	ADA Comp	CB-18	3
24843BAR	24 x 48 x 4	Bar	CB-22	3
24843BAR	24 x 48 x 4	Bar	CB-22	3
24843BS	24 x 48 x 4	Bike Safe	CB-21	3
24843BS	24 x 48 x 4	Bike Safe	CB-21	4
24843CAS	24 x 48 x 4	Cascade	CB-19	3
24843SQH	24 x 48 x 4	Sq Hole	CB-20	3
24844ADA	24 x 48 x 4	ADA Comp	CB-18	4
24844CAS	24 x 48 x 4	Cascade	CB-19	4
24844SQH	24 x 48 x 4	Sq Hole	CB-20	4
24864BAR	24 x 48 x 4	Bar	CB-22	4
24843BAR	24 x 48 x 6	Bar	CB-22	3
24863ADA	24 x 48 x 6	ADA Comp	CB-18	3
24863BS	24 x 48 x 6	Bike Safe	CB-21	3
24863CAS	24 x 48 x 6	Cascade	CB-19	3
24863SQH	24 x 48 x 6	Sq Hole	CB-20	3
24864ADA	24 x 48 x 6	ADA Comp	CB-18	4
24864BS	24 x 48 x 6	Bike Safe	CB-21	4
24864CAS	24 x 48 x 6	Cascade	CB-19	4
24864SQH	24 x 48 x 6	Sq Hole	CB-20	4
24883BAR	24 x 48 x 6	Bar	CB-22	4
24863BAR	24 x 48 x 8	Bar	CB-22	3
24883ADA	24 x 48 x 8	ADA Comp	CB-18	3
24883BS	24 x 48 x 8	Bike Safe	CB-21	3
24883CAS	24 x 48 x 8	Cascade	CB-19	3
24883SQH	24 x 48 x 8	Sq Hole	CB-20	3
24884ADA	24 x 48 x 8	ADA Comp	CB-18	4
24884BAR	24 x 48 x 8	Bar	CB-22	4
24884BS	24 x 48 x 8	Bike Safe	CB-21	4
24884CAS	24 x 48 x 8	Cascade	CB-19	4
24884SQH	24 x 48 x 8	Sq Hole	CB-20	4
22600	26 x 26	Bike Safe	CB-11	-
22632**	26 x 26 x 2-1/4	Bike Safe	CB-11	4
22716***	27 x 27 x 1-9/16	Sinusoidal	CB-10	4
23134□	30 x 30 x 2-1/2	Slotted	CB-9	4

\* reversible frame  
 \*\* slab type frame  
 \*\*\* angle frame

**Flush Inlet Frames and Grates**

Product No.	Dimensions (Grt L x W x Frm Height)	Page No.
23404	20-1/2 x 34	CB-23
23406	22 x 36 x 5	CB-23
23405	22 x 48 x 5	CB-23
23444	26 x 48 x 5	CB-23
23449	26 x 48 x 9	CB-23
23408	30 x 49 x 5	CB-23
23425	45 x 48 x 5	CB-24

**Curb Inlet Frames and Grates**

Product No.	Dimensions (Cvr L x W x Frm Height)	Page No.	Flanges
22633-R6	22 x 36 x 5-1/2	6" R Style	CB-25
22633-R8	22 x 36 x 5-1/2	8" R Style	CB-25
22617-R6	22 x 48 x 5-1/2	6" R Style	CB-25
22617-R8	22 x 48 x 5-1/2	8" R Style	CB-25
22617-N6	22 x 48 x 5-1/2	6" N Style	CB-26
22617-N8	22 x 48 x 5-1/2	8" N Style	CB-26
22618-R6	22 x 48 x 5-1/2	6" R Style	CB-27
22618-R8	22 x 48 x 5-1/2	8" R Style	CB-27
22618-N6	22 x 48 x 5-1/2	6" N Style	CB-28
22618-N8	22 x 48 x 5-1/2	8" N Style	CB-28
22596-R6	26 x 48 x 5-1/2	6" R Style	CB-25
22596-R8	26 x 48 x 5-1/2	8" R Style	CB-25
22694-R6	26 x 48 x 5-1/2	6" R Style	CB-27
22694-R8	26 x 48 x 5-1/2	8" R Style	CB-27
22694-N6	26 x 48 x 5-1/2	6" N Style	CB-28
22694-N8	26 x 48 x 5-1/2	8" N Style	CB-28
22639-R6	30 x 49 x 5-1/2	6" R Style	CB-25
22639-R8	30 x 49 x 5-1/2	8" R Style	CB-25
22639-N6	30 x 49 x 5-1/2	6" N Style	CB-26
22639-N8	30 x 49 x 5-1/2	8" N Style	CB-26

**Catchbasin Risers (Steel)**

Product No.	Dimensions (Grt L x W x Raise)	Page No.
22310	21 x 23 x 1	CB-29
22315	21 x 23 x 1-1/2	CB-29
22320	21 x 23 x 2	CB-29
22410	24 x 24 x 1	CB-29
22415	24 x 24 x 1-1/2	CB-29
22420	24 x 24 x 2	CB-29
22425	24 x 24 x 2-1/2	CB-29
22430	24 x 24 x 3	CB-29

**Inlet Risers**

Product No.	Dimensions (Grt L x W x Raise)	Page No.
23410	22 x 48 x 1	CB-30
22610	22 x 48 x 1	CB-31
23415	22 x 48 x 1-1/2	CB-30
22615	22 x 48 x 1-1/2	CB-31
23420	22 x 48 x 2	CB-30
22620	22 x 48 x 2	CB-31
23810	30 x 49 x 1	CB-30
23815	30 x 49 x 1-1/2	CB-30
23820	30 x 49 x 2	CB-30
24510	46 x 48 x 1	CB-31
24515	46 x 48 x 1-1/2	CB-31
24520	46 x 48 x 2	CB-31

**Hoods / Traps**

Product No.	Pipe OD	Page No.
24051	-	CB-32
24063	-	CB-32
22561	6, 8	CB-33
22563	10, 12	CB-33
22564	12, 15	CB-33
22565	18	CB-33
MATRP	12, 15	CB-34
FBT24*	24	CB-35
FBT30*	30	CB-35
OGT08	8	CB-36
OGT12	12	CB-36
OGT18	15	CB-36

\* steel

**Trench Frames and Grates**

Product No.	Dimensions (Grate Width)	Page No.
21224	12	CB-37
21424	14	CB-37
22024	20	CB-37
22424	24	CB-37
22624	26	CB-37
21229*	12	CB-38
21429*	14	CB-38
22029*	20	CB-38
22429*	24	CB-38
22629*	26	CB-38



### Cleanout Boxes

Product No.	Dimensions (Cover Dia x Frame Height)	Page No.
17041	6-3/8 x 4-3/8	BX-1
10711	6-15/16 x 11-1/2	BX-2
17051	7-1/4 x 5-1/4	BX-1
17101	7-5/16 x 10	BX-2
18111	8-1/16 x 10-1/2	BX-3
18116*	8-1/16 x 10-1/2	BX-3
11041	9-5/8 x 5-3/16	BX-4
11081	10-11/16 x 8	BX-4
11181	11-1/4 x 8	BX-5
11186*	11-1/4 x 8	BX-5
11671	16-1/16 x 7-1/2	BX-6

\* bolted

### Cleanout Boxes

#### 2 Piece Slip Type

Product No.	Dimensions (Top x Bottom)	Page No.
30461	10 x 15	BX-7
30462	10 x 24	BX-7
30562	16 x 24	BX-7
30564	16 x 36	BX-7
30664	26 x 36	BX-7
30666	26 x 48	BX-7
30668	26 x 60	BX-7
30669	36 x 36	BX-7

#### 2 Piece Slip Type

Product No.	Dimensions (Top x Bottom)	Page No.
32461	10 x 15	BX-8
32462	10 x 24	BX-8
32562	16 x 24	BX-8
32563	16 x 30	BX-8
32564	16 x 36	BX-8
32662	26 x 30	BX-8
32664	26 x 36	BX-8
32666	26 x 48	BX-8
32668	26 x 60	BX-8

### Lids

Product No.	Lid Diameter	Page No.
VBLIDL	5-1/4	BX-10
VBLIDH	5-1/4	BX-10

### Scuppers

See pages CB39 - CB41. Manufactured upon request

### 3 Piece, Screw Type

Product No.	Dimensions (Top x Bottom)	Page No.
340AA	10 x 14	BX-9
340A0	16 x 18	BX-9
340B0	16 x 24	BX-9
340C0	16 x 30	BX-9
340CC	16 x 36	BX-9
340D0	26 x 30	BX-9
340DD	26 x 36	BX-9
340E0	16 x 48	BX-9
340F0	26 x 48	BX-9
340G0	26 x 60	BX-9

### Bases

Product No.	Equivalent	Page No.
30004	#4	BX-9
30006	#6	BX-9
30160	#160	BX-9

### Risers (Fixed Type)

Product No.	Raise	Page No.
30210	1	BX-12
30215	1-1/2	BX-12
30220	2	BX-12
30225	2-1/2	BX-12
30230	3	BX-12
30240	4	BX-12
30260	6	BX-12
30280	8	BX-12
30300	10	BX-12
30320	12	BX-12

### Risers (Adjustable Slip Type)

Product No.	Raise	Page No.
30012	12	BX-13
30018	18	BX-13
30024	24	BX-13

### Risers (Adjustable, Screw Type)

Product No.	Extension	Page No.
32012	12	BX-13
32018	18	BX-13
32024	24	BX-13

### Extensions (Slip Type)

Product No.	Extension	Page No.
31014	14	BX-14
31018	18	BX-14
31024	24	BX-14

### Extensions (Screw Type)

Product No.	Extension	Page No.
33010	10	BX-14
33014	14	BX-14
33018	18	BX-14
33024	24	BX-14
33030	30	BX-14

### Pioneer Adaptors

Product No.	Raise	Page No.
30F01*	6	BX-15
38S10	6	BX-15
38S11	12	BX-15
30S20	6	BX-15
30S21	12	BX-15
30S22	18	BX-15

\* fixed type



**Roadway Boxes**

Product No.	Dimensions (Top x Bottom)	Page No.
38145R*	18 x 44	BX-16
39143R	18 x 34	BX-17
39144R	18 x 40	BX-17
39145R	18 x 44	BX-17

**Risers (Slip Type)**

Product No.	Raise	Page No.
39009	9	BX-16

**Extensions**

Product No.	Extension	Page No.
38049*	5 - 18	BX-16
39049**	5 - 18	BX-17

\* slip type  
\*\*screw type

**Service / Buffalo Boxes (Slip Type)**

Product No.	Dimensions (Top x Bottom)	Page No.
36094E	25 x 39	BX-18
36095E	25 x 47	BX-18
36100E	25 x 60	BX-18

**Service / Buffalo Boxes (Screw Type)**

Product No.	Dimensions (Top x Bottom)	Page No.
37092D	18 x 27	BX-19
37093D	18 x 33	BX-19
38093E*	18 x 39	BX-20
37093E	24 x 33	BX-19
37094E	24 x 39	BX-19
38094E*	24 x 39	BX-20
37100E	24 x 50	BX-19
37095E	30 x 39	BX-19
38095E*	30 x 39	BX-20
37100F	30 x 50	BX-19

\* with large base

**Extensions (Slip Type)**

Product No.	Extension	Page No.
36151	9	BX-18
36152	16	BX-18
36153	28	BX-18

**Extensions (Screw Type)**

Product No.	Extension	Page No.
37151	9	BX-19, BX-20
37152	16	BX-19, BX-20
37153	28	BX-19, BX-20
37154	30	BX-19, BX-20

**Risers (Slip Type)**

Product No.	Raise	Page No.
37012	12	BX-21
37018	18	BX-21
37024	24	BX-21

**Bases**

Product No.	Equivalent	Page No.
36500	6	BX-18, BX-19

**Repair Lids**

Product No.	Type	Page No.
37600	Old / Outer	BX-22
37601	New / Inner	BX-22

**Service / Buffalo Boxes (Screw Type)**

1-1/4" Upper Pipe Dia, 1-1/2" Tap Dia		
Product No.	Range / Bury	Page No.
45048	3' - 4'	BX-23
45054	3-1/2' - 4-1/2'	BX-23
45060	4' - 5'	BX-23
45066	4-1/2' - 5-1/2'	BX-23
45072	5' - 6'	BX-23
45078	5-1/2' - 6-1/2'	BX-23
45084	6' - 7'	BX-23
45090	6-1/2' - 7-1/2'	BX-23
45096	7' - 8'	BX-23

**1-1/4" Upper Pipe Dia, 2" Tap Dia**

Product No.	Range / Bury	Page No.
47048	3' - 4'	BX-23
47054	3-1/2' - 4-1/2'	BX-23
47060	4' - 5'	BX-23
47066	4-1/2' - 5-1/2'	BX-23
47072	5' - 6'	BX-23
47078	5-1/2' - 6-1/2'	BX-23
47084	6' - 7'	BX-23
47090	6-1/2' - 7-1/2'	BX-23
47096	7' - 8'	BX-23

**Western Repair Lids**

Product No.	Pipe Size	Page No.
4W125	1-1/4	BX-24
4W150	1-1/2	BX-24
4W200	2	BX-24

**Erie / Arch Boxes**

**Plug Lid**

Product No.	Range / Bury	Page No.
41048	3' - 4'	BX-25
41054	3-1/2' - 4-1/2'	BX-25
41060**	4' - 5'	BX-25
41066**	4-1/2' - 5-1/2'	BX-25
41072**	5' - 6'	BX-25
41078	5-1/2' - 6-1/2'	BX-25
41084	6' - 7'	BX-25
41090	6-1/2' - 7-1/2'	BX-25
41096	7' - 8'	BX-25

**Plug Lid with Larger Base**

Product No.	Range / Bury	Page No.
43048	3' - 4'	BX-26
43054	3-1/2' - 4-1/2'	BX-26
43060	4' - 5'	BX-26
43066	4-1/2' - 5-1/2'	BX-26
43072	5' - 6'	BX-26
43078	5-1/2' - 6-1/2'	BX-26
43084	6' - 7'	BX-26
43090	6-1/2' - 7-1/2'	BX-26
43096	7' - 8'	BX-26



### 2 Hole Lid

Product No.	Range / Bury	Page No.
42048	3' - 4'	BX-25
42054	3-1/2' - 4-1/2'	BX-25
42060	4' - 5'	BX-25
42066	4-1/2' - 5-1/2'	BX-25
42072	5' - 6'	BX-25
42078	5-1/2' - 6-1/2'	BX-25
42084	6' - 7'	BX-25
42090	6-1/2' - 7-1/2'	BX-25
42096	7' - 8'	BX-25

### 2 Hole Lid with Large Base

Product No.	Range / Bury	Page No.
44048*	3' - 4'	BX-26
44054*	3-1/2' - 4-1/2'	BX-26
44060*	4' - 5'	BX-26
44066*	4-1/2' - 5-1/2'	BX-26
44072*	5' - 6'	BX-26
44078*	5-1/2' - 6-1/2'	BX-26
44084*	6' - 7'	BX-26
44090*	6-1/2' - 7-1/2'	BX-26
44096*	7' - 8'	BX-26

### Repair Lids

Product No.	Type	Page No.
41000	Repair Lid	BX-27

### Extensions

Product No.	Extension	Page No.
41003	3	BX-27
41006	6	BX-27
41009	9	BX-27
41012	12	BX-27
41018	18	BX-27
41024	24	BX-27

### Centering Ring/Guide

Product No.	Page No.
49000	BX-28

### Stationary Rods (Mild Steel)

Product No.	Length	Page No.
49018	18	BX-28
49024	24	BX-28
49030	30	BX-28
49033	33	BX-28
49036	36	BX-28
49042	42	BX-28
49048	48	BX-28
49054	54	BX-28
49060	60	BX-28
49066	66	BX-28

### Stationary Rods (Stainless Steel)

Product No.	Length	Page No.
49S24	24	BX-28
49S30	30	BX-28
49S36	36	BX-28
49S42	42	BX-28
49S48	48	BX-28

### Meter Box Covers

#### C Style

Product No.	Dimensions (Lid Dia x Frm Height x Tile Size)	Page No.
5C32N	11-1/2 x 4 x 18	BX-29
5C32S	11-1/2 x 4 x 18	BX-29
5C03N	11-1/2 x 4 x 20	BX-29
5C03S	11-1/2 x 4 x 20	BX-29
5C04N	11-1/2 x 4 x 21	BX-29
5C04S	11-1/2 x 4 x 21	BX-29

**N = Solid Lid**  
**S = Lid with Touch Read Hole**

#### A Style

Product No.	Dimensions (Lid Dia x Frm Height x Tile Size)	Page No.
5A32N	11-1/2 x 4 x 18	BX-30
5A32S	11-1/2 x 4 x 18	BX-30
5A03N	11-1/2 x 4 x 20	BX-30
5A03S	11-1/2 x 4 x 20	BX-30
5A04N	11-1/2 x 4 x 21	BX-30
5A04S	11-1/2 x 4 x 21	BX-30

**N = Solid Lid**  
**S = Lid with Touch Read Hole**

### W Style

Product No.	Dimensions (Lid Dia x Frm Height x Tile Size)	Page No.
5W32N	11-1/2 x 9-1/2 x 18	BX-31
5W32S	11-1/2 x 9-1/2 x 18	BX-31
5W03N	11-1/2 x 9-1/2 x 20	BX-31
5W03S	11-1/2 x 9-1/2 x 20	BX-31
5W04N	11-1/2 x 9-1/2 x 21	BX-31
5W04S	11-1/2 x 9-1/2 x 21	BX-31

**N = Solid Lid**  
**S = Lid with Touch Read Hole**

### Monitor Style

Product No.	Dimensions (Lid Dia x Frm Height x Tile Size)	Page No.
5M24N	20 x 6 x 24	BX-32
5M24S	20 x 6 x 24	BX-32
5M30N	20 x 6 x 30	BX-32
5M30S	20 x 6 x 30	BX-32
5M36N	20 x 6 x 36	BX-32
5M36S	20 x 6 x 36	BX-32

**N = Solid Lid**  
**S = Lid with Touch Read Hole**

### Monitor Flanges / Extensions

Product No.	Dimensions (Lid Dia x Tile Size)	Page No.
52024	20 x 24	BX-33
52030	20 x 30	BX-33
52036	20 x 36	BX-33

### Rectangular Lids (for Plastic Frames)

Product No.	Dimensions (Length x Width)	Page No.
51711	16-1/2 x 11-1/4	BX-34
51712	16-3/4 x 11-1/2	BX-34
51713	16-3/4 x 11-1/2	BX-35



**Rectangular / Oval Style**

Product No.	Equivalent	Page No.
52313	Jefferson Parish	BX-35
53018	MBX 5A	BX-36
<b>51812</b>	Schofield	BX-36
51910	1910 Rome Box	BX-37
51912	1912 Rome Box	BX-37
51918	1918 Rome Box	BX-37
52012	MBX 1	BX-37
52018	MBX 2	BX-37

all lids available with solid of touch read hole

**2 Hole Lid**

Product No.	Range / Bury	Page No.
42048	3' - 4'	BX-25
42054	3-1/2' - 4-1/2'	BX-25
42060	4' - 5'	BX-25
42066	4-1/2' - 5-1/2'	BX-25
42072	5' - 6'	BX-25
42078	5-1/2' - 6-1/2'	BX-25
42084	6' - 7'	BX-25
42090	6-1/2' - 7-1/2'	BX-25
42096	7' - 8'	BX-25

**2 Hole Lid with Large Base**

Product No.	Range / Bury	Page No.
44048*	3' - 4'	BX-26
44054*	3-1/2' - 4-1/2'	BX-26
44060*	4' - 5'	BX-26
44066*	4-1/2' - 5-1/2'	BX-26
44072*	5' - 6'	BX-26
44078*	5-1/2' - 6-1/2'	BX-26
44084*	6' - 7'	BX-26
44090*	6-1/2' - 7-1/2'	BX-26
44096*	7' - 8'	BX-26

**Repair Lids**

Product No.	Type	Page No.
41000	Repair Lid	BX-27

**Extensions**

Product No.	Extension	Page No.
41003	3	BX-27
41006	6	BX-27
41009	9	BX-27
41012	12	BX-27
41018	18	BX-27
41024	24	BX-27

**Centering Ring/Guide**

Product No.	Page No.
49000	BX-28

**Stationary Rods (Mild Steel)**

Product No.	Length	Page No.
49018	18	BX-28
49024	24	BX-28
49030	30	BX-28
49033	33	BX-28
49036	36	BX-28
49042	42	BX-28
49048	48	BX-28
49054	54	BX-28
49060	60	BX-28
49066	66	BX-28

**Connecticut**

**City of Hartford / MDC**

**Manhole Frames and Covers**

Product No.	Dimensions (Cvr Dia x Frm Height)	Page No.
MDCDS	23-3/4 x 6	MU-1
MDCSS	23-3/4 x 6	MU-1
MDCDV	23-3/4 x 6	MU-1
MDCSV	23-3/4 x 6	MU-1

**City of Waterbury**

**Manhole Frames and Covers**

Product No.	Dimensions (Cvr Dia x Frm Height)	Page No.
W2461	23-7/8 x 6	MU-2
W2481	23-7/8 x 8	MU-2

**Manhole Risers**

Product No.	Dimensions (Cvr Dia x Raiset)	Page No.
W2415	23-3/4 x 1-1/2	MU-2
W2420	23-3/4 x 2	MU-2
W2430	23-3/4 x 3	MU-2

**Florida**

**State of Florida**

**Valve Box**

Product No.	Description	Page No.
30469	Recd. Water	MU-3

**State of Cape Coral**

**Valve Box**

Product No.	Description	Page No.
30466	Irrigation	MU-4

**Valve Box Risers**

Product No.	Raise	Page No.
30410	1	MU-4
30420	2	MU-4

**City of Miami**

**Valve Boxes**

Product No.	Description	Page No.
10814	#2 VBX	MU-5
11315	#3 VBX	MU-5

**Georgia**

**State of Georgia**

**Sidewalk Manhole Frame and Cover**

Product No.	Dimensions (Cvr Dia x Frm Height)	Page No.
12344	24 x 4	MU-6



### Kentucky

#### City of Louisville

##### Valve Box

Product No.	Description	Page No.
10910	#2 VBX	MU-7

### Maine

#### State of Maine

##### Manhole Frame and Cover

Product No.	Dimensions (Cvr Dia x Frm Height)	Page No.
12451	24 x 5	MU-8

##### Manhole Frame and Grate

Product No.	Dimensions (Grt Dia x Frm Height)	Page No.
12452	24 x 5	MU-8

#### City of Bangor

##### Manhole Frame and Cover

Product No.	Dimensions (Cvr Dia x Frm Height)	Page No.
12666	26 x 6	MU-9

##### Manhole Frame and Grate

Product No.	Dimensions (Grt Dia x Frm Height)	Page No.
12667	26 x 6	MU-9

### Massachusetts

#### State of Massachusetts

##### Catch Basin Frame and Grate

Product No.	Dimensions (Grt Dia x Frm Height)	Page No.
MADCB	26-3/8 x 8	MU-10

### City of Boston

#### Manhole Frames and Covers

Product No.	Description / Dimensions (Cvr Dia x Frm Height)	Page No.
BS4A2	A2, 25-5/8 x 4	MU-11
BS8A2	A2, 25-5/8 x 8	MU-11
BS8B5	B5, 29-3/4 x 8	MU-11
BSM48	48 x 8	MU-13
BSGMH	G, 3 Pc. Assembly	MU-13

#### Manhole Covers

Product No.	Dimensions	Page No.
BSBRD	BRAD HD, 23-1/2	MU-12
BSA3C	A3, 25-1/2	MU-12

#### Square Frames and Covers

Product No.	Description / Dimensions	Page No.
BS68O	16 x 18	MU-14
BS68N	16 x 18	MU-14
BSEC4-3	E, 27 x 4 3 FLG	MU-15
BSEC4-4	E, 27 x 4 4 FLG	MU-15
BSEC8-3	E, 27 x 8 3 FLG	MU-15
BSEC8-4	E, 27 x 8 4 FLG	MU-15

#### Catchbasin Frames and Grates

Product No.	Description / Dimensions	Page No.
BSEG4-3	E, 27 x 4 3 FLG	MU-16
BSEG4-4	E, 27 x 4 4 FLG	MU-16
BSEG8-3	E, 27 x 8 3 FLG	MU-16
BSEG8-4	E, 27 x 8 4 FLG	MU-16

#### Catchbasin Signs

Product No.	Marking	Page No.
BSSBH	Boston Harbor	MU-17
BSSCR	Charles River	MU-17
BSSNR	Neponset River	MU-17
BSSAB	Alewife Brook	MU-17

### Miscellaneous Castings

Product No.	Description	Page No.
BSHOE	Shoe	MU-18
BSCAP	Main Tube Cap	MU-18

### City of Framingham

#### Manhole Frame and Cover

Product No.	Dimensions (Cvr Dia x Frm Height)	Page No.
FM268	25-15/16 x 8-1/2	MU-19

### City of Lowell

#### Manhole Frame and Cover

Product No.	Dimensions (Cvr Dia x Frm Height)	Page No.
LOWMH	23-1/4 x 8	MU-20

### City of Newton

#### Manhole Frame and Cover

Product No.	Dimensions (Cvr Dia x Frm Height)	Page No.
NWTMH	24-3/8 x 8	MU-21

#### Manhole Risers

Product No.	Dimensions (Cvr Dia x Raise)	Page No.
NWR10	24-3/8 x 1	MU-21
NWR15	24-3/8 x 1-1/2	MU-21

### City of Warwick

#### Manhole Frames and Covers

Product No.	Dimensions (Cvr Dia x Frm Height)	Page No.
WARMH	31-5/8 x 6	MU-22
WARWT	31-5/8 x 6	MU-22



**Missouri**

**City of St. Louis**

**Manhole Frames and Covers**

Product No.	Description	Page No.
SL283	3 Pc. Assembly	MU-23
SL329	2 Pc. Assembly	MU-23

**New York**

**City of New York**

**Manhole Frames and Covers**

Product No.	Dimensions (Cvr Dia x Frm Height)	Page No.
12781	26-3/4 x 8	MU-24
13685	37-3/4 x 8	MU-26
13861	38-1/4 x 6	MU-34

**Manhole Risers**

Product No.	Dimensions (Cvr Dia x Raise)	Page No.
12720	26-3/4 x 2	MU-25
12730	26-3/4 x 3	MU-25
12740	26-3/4 x 4	MU-25

**Inlet Frames and Grates**

Product No.	Description	Page No.
22594	Type 1 Curb Inlet	MU-27
23407	Type 2 Flush Inlet	MU-28

**Miscellaneous Castings**

Product No.	Description	Page No.
22564	Catch Basin Hood	MU-29
22565	Catch Basin Hook	MU-29
GFCS1	Manhole Step	MU-30
GS2PF	Manhole Step	MU-30
34400	6" Mainline Valve Box	MU-31
34403	12" Mainline Valve Box	MU-31
34425	Hydrant Valve Box	MU-32
34435	Hydrant Drain Base	MU-33
99001	Hyd. Fender w/ Std. Cap	MU-35
99002	Hyd. Fender w/ His. Cap	MU-35
23008	Regulator Assembly	MU-36

**Port Authority of NY/NJ**

**Manhole Frames and Covers**

Product No.	Description	Page No.
12681PAD	25-3/4 x 8	MU-37
12681PAS	25-3/4 x 8	MU-37
12786PA	27-1/4 x 8	MU-39
PAAPT	Airport Manhole	MU-40

**Manhole Frames and Grates**

Product No.	Description	Page No.
23408PA	Type 2 Flush Inlet	MU-38
22617PA	Type 4 Curb Inlet	MU-38

**Trench Frames and Grates**

Product No.	Description	Page No.
JFKCI	Trench Assembly	MU-41

**North Carolina**

**State of North Carolina**

**DOT Inlet Frames and Grates**

Product No.	Description	Page No.
28416	Drop Inlet	MU-42
28403	Curb Inlet	MU-43

**City of Durham**

**Handhole Frames and Covers**

Product No.	Dimensions	Page No.
11081	10-11/16 x 8	MU-44

**City of Wilmington**

**Catch Basin Frames and Grates**

Product No.	Description	Page No.
20074	Curb Inlet	MU-45

**Cleanout / Monument Boxes**

Product No.	Dimensions (Cvr Dia x Frm Height)	Page No.
10711	6-15/16 x 11-1/2	MU-46
11671	16 x 7-1/2	MU-46

**Ohio**

**State of Ohio**

**Catch Basin Frame and Grate**

Product No.	Description	Page No.
OHCBN	Flush Inlet	MU-47

**City of Columbus**

**Valve Boxes**

Product No.	Description	Page No.
COLVB	Columbus Box	MU-48
36108	Ferrule Box	MU-49

**Pennsylvania**

**State of Pennsylvania**

**Manhole Frames and Covers**

Product No.	Dimensions (Cvr Dia x Frm Height)	Page No.
12478	23-3/4 x 7	MU-51
12671	26 x 7	MU-50
13041	29-3/4 x 4	MU-51

**Catch Basin Frames and Grates**

Product No.	Dimensions (Grt Dim x Frm Height)	Page No.
20364	36 x 4	MU-50

**Rhode Island**

**Manhole Frames and Covers**

Product No.	Dimensions (Cvr Dia x Frm Height)	Page No.
RI269	25-9/16 x 9	MU-52

**Virginia**

**State of Virginia**

**Cleanout / Monument Box**

Product No.	Description	Page No.
3NNVB	Newport News	MU-53





## West Virginia

### City of Clarksburg

#### Cleanout / Monument Box

Product No.	Description	Page No.
-------------	-------------	----------

CWBEVB	CWB	<b>MU-54</b>
--------	-----	--------------

## Utility Castings

### Manhole Frames and Covers

Product No.	Description	Page No.
-------------	-------------	----------

13278	Q87	MU-55
-------	-----	-------

12818	N-STAR	MU-55
-------	--------	-------

12858	COM ELECTRIC	MU-56
-------	--------------	-------

13868	EUA ELECTRIC	MU-56
-------	--------------	-------



# GENERAL FOUNDRIES

1 PROGRESS ROAD, NORTH BRUNSWICK, NJ 08902

SALES@GENERALFOUNDRIES.COM 

WWW.GENERALFOUNDRIES.COM 

732 951 9001 

732 951 9002 

800 222 9555 