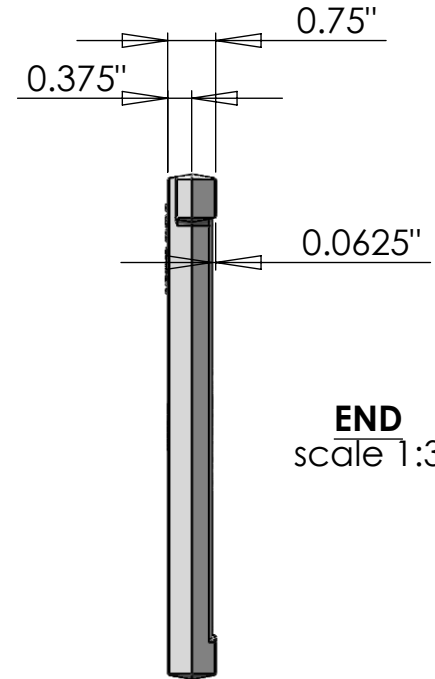
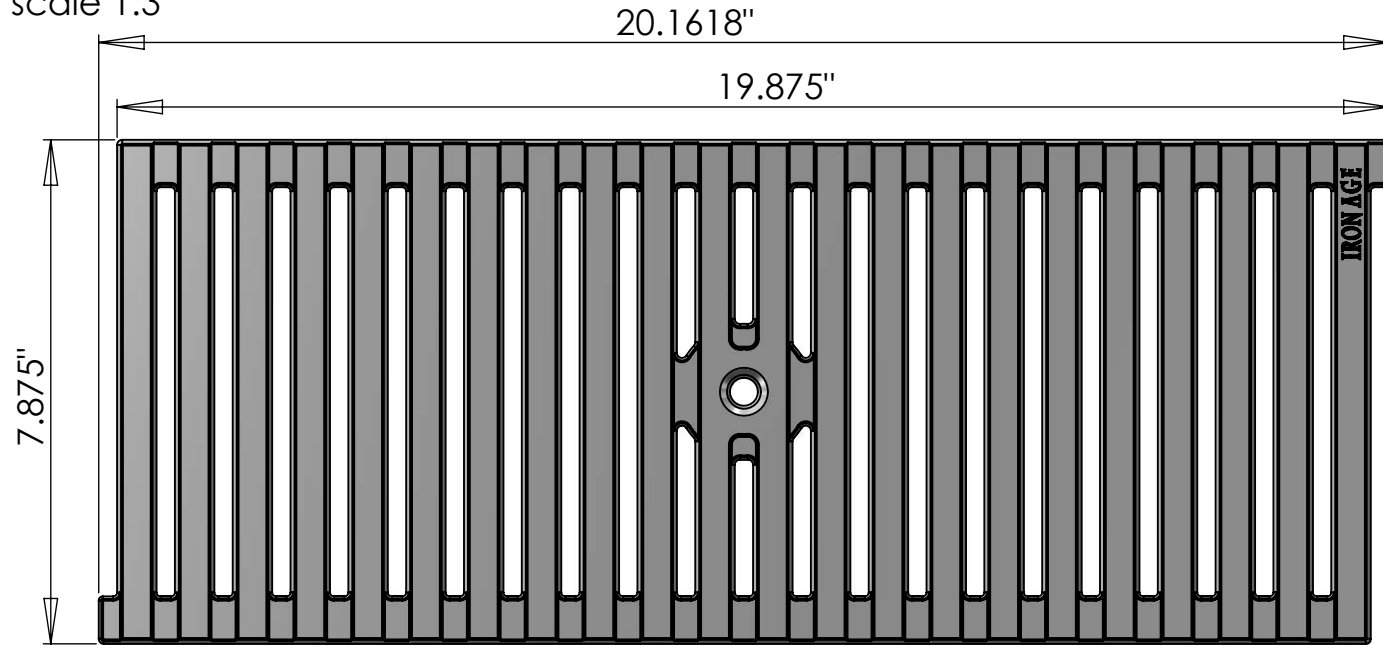


TOP
scale 1:3

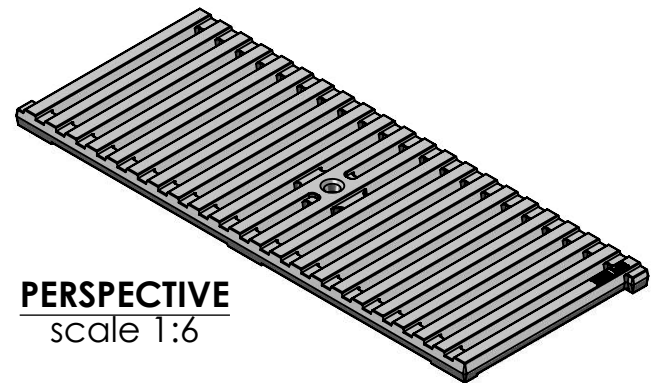
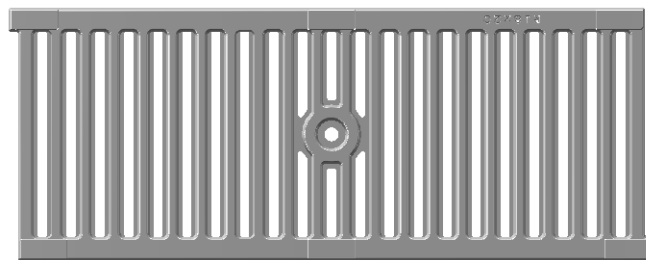


END
scale 1:3




EDGE
scale 1:3

BACK
scale 1:6



PERSPECTIVE
scale 1:6

 **IRON AGE** 2104 SW 152nd st #4 TEL 206.276.0925
 DESIGNS Burien, WA 98166 FAX 206.257.0318
 www.ironagedrains.com

Regular Joe 8" trench drain

JOB NO.	100927SS	Drawn by:	JH
DWG. NO.	001-JOE.C.8x20	Date:	02/21/13
		Scale:	NTS

NOTES:

1. Material: cast iron
2. Finish: Natural
3. Total Thickness: 3/4"
4. No openings great than: 1/2"
5. Trench manufactured to fit:
NDS™ 8" Pro-Series™ made by Others
6. Due to casting inconsistencies all dimensions are nominal