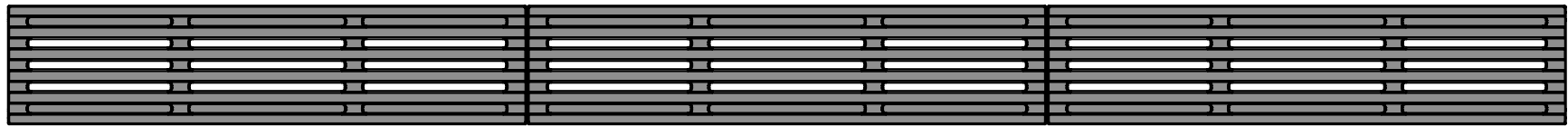
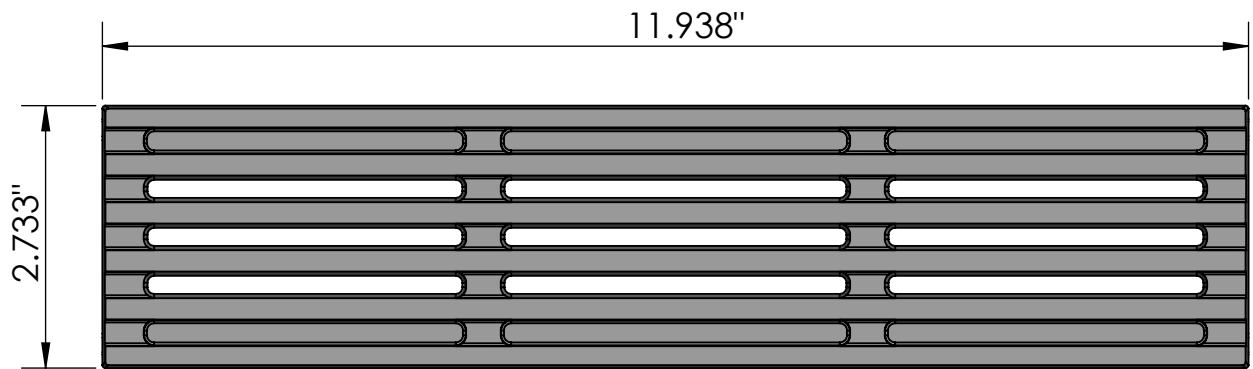


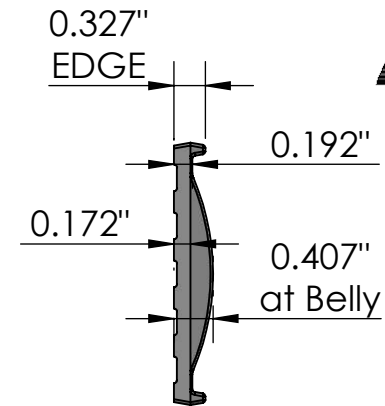
**3 ARRAY**  
scale 1:4



**TOP VIEW**  
scale 1:2



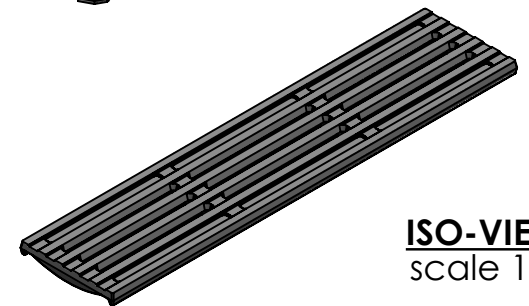
**END VIEW**  
scale 1:4



**CASTING-ID**  
scale 1:1.5



**SIDE VIEW**  
scale 1:2




**ISO-VIEW**  
scale 1:4

**NOTES:**

1. Heelproof: No thru openings greater than 1/4".
2. Ships in pieces: 1
3. Due to casting inconsistencies, all dimensions are nominal.

Made in USA ©2014 Iron Age Designs

**Que 3" x 12" Trench Grate Heel Proof**

 <b>IRON AGE</b> DESIGNS Telephone 206.276.0925 www.ironagegrates.com	Material: Ductile Iron 65-45-12	Weight: 1.56 lbs.	Free Drain Area: 5.65 in/sq., or 17.34 %	By: MS	Checked: MS	Date: 2-25-21
	Finish: Raw	Edge: 0.327"	Flow Rate: 7.41 GPM, or .0165 CuFt./sec.	© Registration: Pending	Scale: NTS	
	Fits: NDS® Mini-Channel	Product ID: QUN3-12I01HP	Drawing Name: 07-QUE.N.3x12HP_TrenchGrate_Iron			