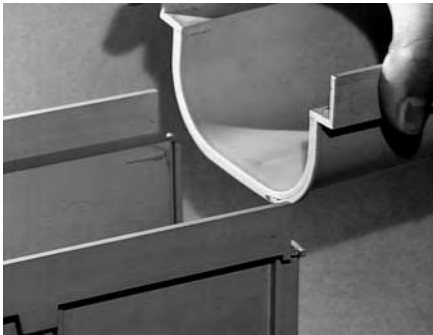
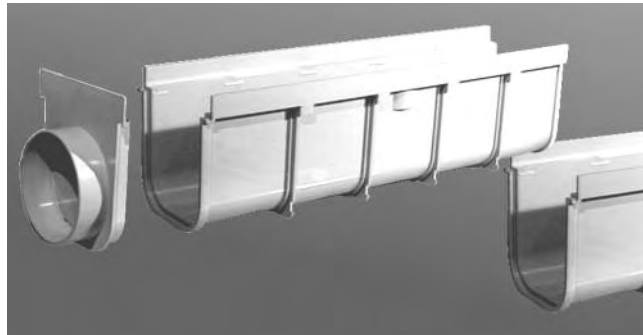


**Pro Series Channel**  
**Sold by the piece**



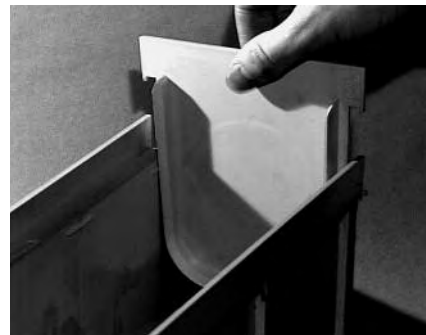
Mechanical Interlocking Joints



Modular Design Allows Flexibility



End Cap/Knock Out End Outlet  
Combination Fitting

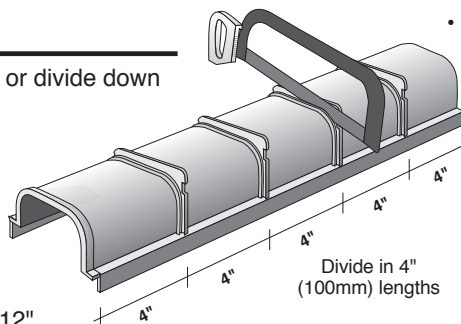


End Cap/End Outlet  
Slides into Interlocking Joints

- Flexible and easy: side and bottom outlets can be inserted at any location along the channel run.

**Details**

- Create a channel as long as you need, or divide down to lengths as short as 4" for smaller, interlocking sections.
- End cap/knock-out end outlet fitting simplifies assembly and installation.
- Flexible and easy: side and bottom outlets can be inserted at any location along the channel run.
- Available in four widths: 3", 5", 8" and 12"
- Available in two depths: deep for heavy flows, shallow for slabs or where little fall depth is available.
- Modular design comes in ½ meter (19 7/8") and 1 meter (39 3/4") pieces with interlocking end joints.
- Joints eliminate couplings and are specially designed to withstand concrete expansion and contraction.



- Grate, channel and component parts include UV inhibitors to prevent fading and cracking.
- Load Star grate is designed with a patented multi-link I-beam structure providing the strength of traditional cast iron grates.

**Materials and Standards**

- PVC solvent cement creates a structurally-compact, water-tight channel.

**Load Recommendations**

- Pedestrian grates offer heel-proof pattern.
- Polyolefin light vehicular grate for use in areas with passenger vehicles and light trucks with speeds less than 20 MPH.
- Load Star Glass-Filled Reinforced-Nylon Heavy Traffic Grate for use in areas with tractor-trailer and pneumatic forklift traffic with speeds less than 20 MPH.
- See individual products for details.

Note: All dimensions are nominal. All weights are for shipping purposes only. Availability is subject to change.

**NDS Customer Service**

851 N. Harvard Ave, Lindsay, CA 93247  
Phone: (800) 726-1994 • (559) 562-9888  
Fax: (800) 726-1998 • (559) 562-4488  
[www.NDSPRO.com](http://www.NDSPRO.com)