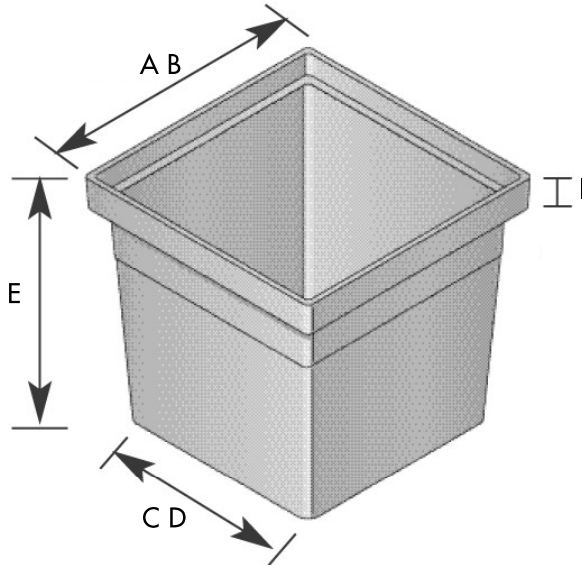


NDS 9" 12" Catch Basin Risers



Dimension Key

A	Top Width
B	Top Length
C	Bottom Width
D	Bottom Length
E	Height
F	Center of Flow from top of Box
G	Top of opening to top of box
H	Bottom of opening to bottom of box
I	Height of grating shelf
J	Length of Spigot
K	Weight

	A	B	C	D	E	F	G	H	I	J	K
Part Number											
916	9 3/16	9 3/16	9	9	7 3/8	N/A	N/A	N/A	1 1/8		1.75
1216	12 3/8	12 3/8	12 5/16	12 5/16	7 1/8	N/A	N/A	N/A	1 1/8		2.75