

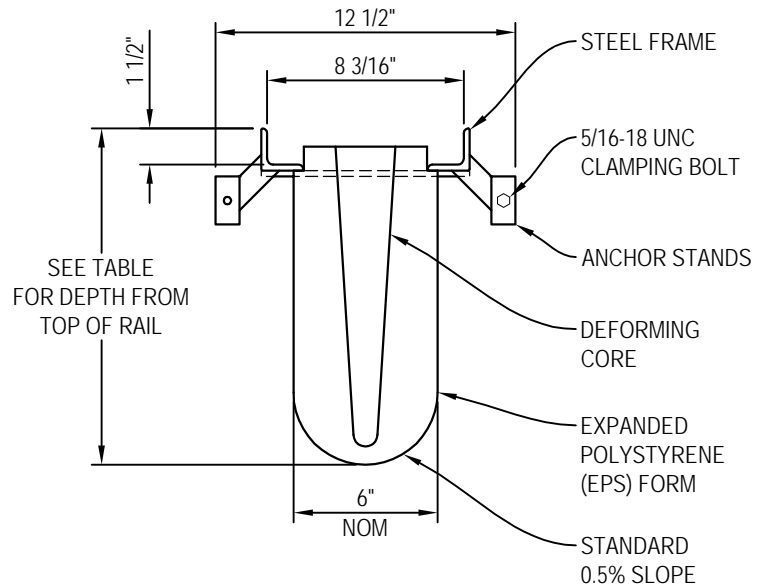


We Drain Your Site, Not Your Budget!

MULTIDRAIN SYSTEMS, INC.
 P.O. BOX 88
 BARIUM SPRINGS, NC 28010
 TOLL FREE: 1-800-433-1119
 PHONE: (704) 508-1010
 FAX: (704) 508-1011
 www.multidrain.com

	EPS FORM	DEPTH		FLOW GPM
		MIN	MAX	
SHALLOW EPS FORMS	06	6"	6 1/2"	196
	07	6 1/2"	7"	224
	08	7"	7 1/2"	253
	09	7 1/2"	8"	281
	10	8"	8 1/2"	310
	11	8 1/2"	9"	339
	12	9"	9 1/2"	368
	13	9 1/2"	10"	397
	14	10"	10 1/2"	426
	15	10 1/2"	11"	455
	16	11"	11 1/2"	484
	17	11 1/2"	12"	514
	18	12"	12 1/2"	543
DEEP EPS FORMS	19	12 1/2"	13"	573
	20	13"	13 1/2"	602
	21	13 1/2"	14"	632
	22	14"	14 1/2"	661
	23	14 1/2"	15"	691
	24	15"	15 1/2"	721
	25	15 1/2"	16"	750
	26	16"	16 1/2"	780
	27	16 1/2"	17"	810
	28	17"	17 1/2"	840
	29	17 1/2"	18"	869
	30	18"	18 1/2"	899
	31	18 1/2"	19"	929
32	19"	19 1/2"	959	
33	19 1/2"	20"	989	
34	20"	20 1/2"	1019	
35	20 1/2"	21"	1048	
36	21"	21 1/2"	1078	
37	21 1/2"	22"	1108	
38	22"	22 1/2"	1138	
39	22 1/2"	23"	1168	
40	23"	23 1/2"	1198	
41	23 1/2"	24"	1228	
42	24"	24 1/2"	1258	
43	24 1/2"	25"	1288	
44	25"	25 1/2"	1317	
45	25 1/2"	26"	1347	

STANDARD GRATE:
 AASHTO M306 - H20
 CAST IRON GRATE
 #EG-0824-1CI-B
 (NOT PICTURED)



STEEL FRAMES & EPS FORMS ARE STANDARD 8'-0" LENGTHS

06	07	08	09	10	11	12	13	14	15	16	17	18	19	20	21	22	23
----	----	----	----	----	----	----	----	----	----	----	----	----	----	----	----	----	----

SHALLOW EPS FORMS

24	25	26	27	28	29	30	31	32	33	34	35	36	37	38	39	40	41	42	43	44	45
----	----	----	----	----	----	----	----	----	----	----	----	----	----	----	----	----	----	----	----	----	----

DEEP EPS FORMS

NOTES:

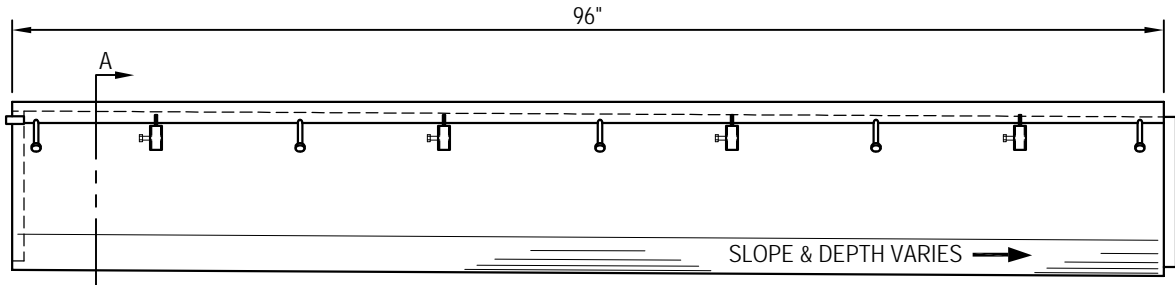
1. INSTALLATION TO BE COMPLETED IN ACCORDANCE WITH MANUFACTURERS SPECIFICATIONS.
2. DO NOT SCALE DRAWINGS.



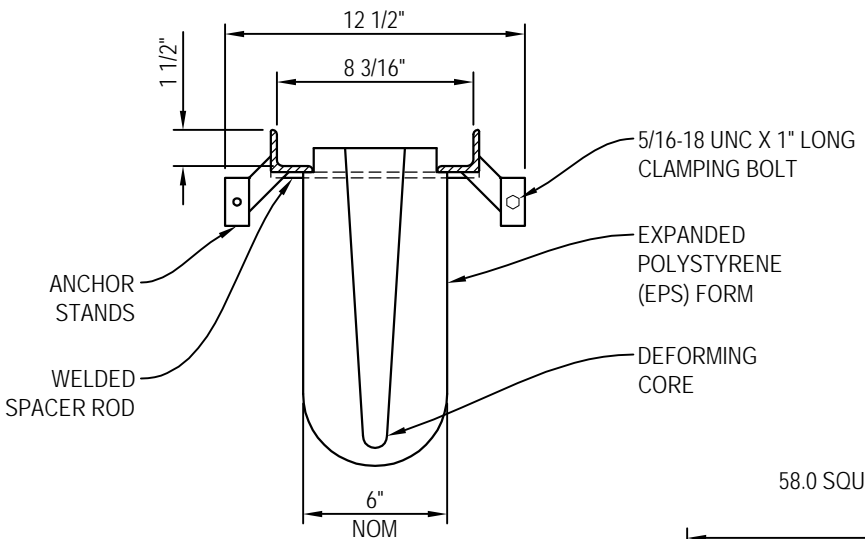


We Drain Your Site, Not Your Budget!

MULTIDRAIN SYSTEMS, INC.
 P.O. BOX 88
 BARIUM SPRINGS, NC 28010
 TOLL FREE: 1-800-433-1119
 PHONE: (704) 508-1010
 FAX: (704) 508-1011
 www.multidrain.com



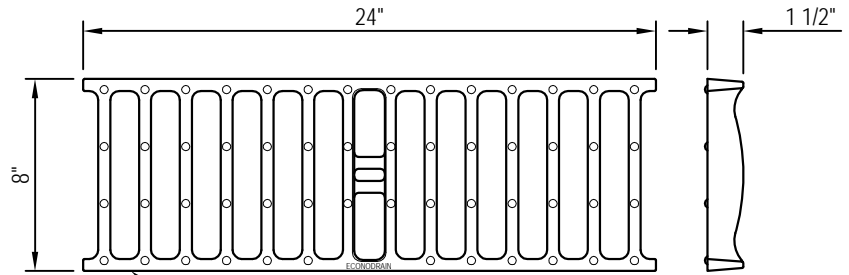
ELEVATION
DO NOT SCALE



SECTION A-A
DO NOT SCALE

FINISH SPECIFICATION
 GRATE FRAME: BLACK PAINT - STANDARD
 HOT DIP GALVANIZE - OPTIONAL
 CAST GRATE : BLACK PAINT - STANDARD
 HOT DIP GALVANIZE - OPTIONAL

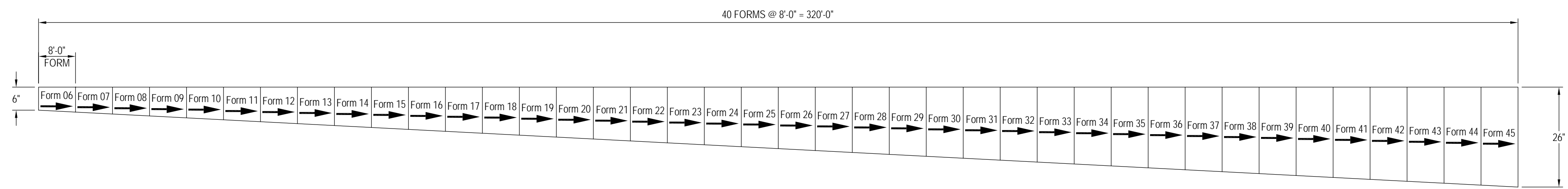
60.4% OPEN AREA
 58.0 SQUARE INCHES PER LINEAR FOOT



AASHTO M306 - H20
 CAST IRON GRATE - #EG-0824-1CI-B
 (INSTALLED AFTER REMOVAL OF EPS FORM)

- NOTES:**
1. INSTALLATION TO BE COMPLETED IN ACCORDANCE WITH MANUFACTURERS SPECIFICATIONS.
 2. DO NOT SCALE DRAWINGS.

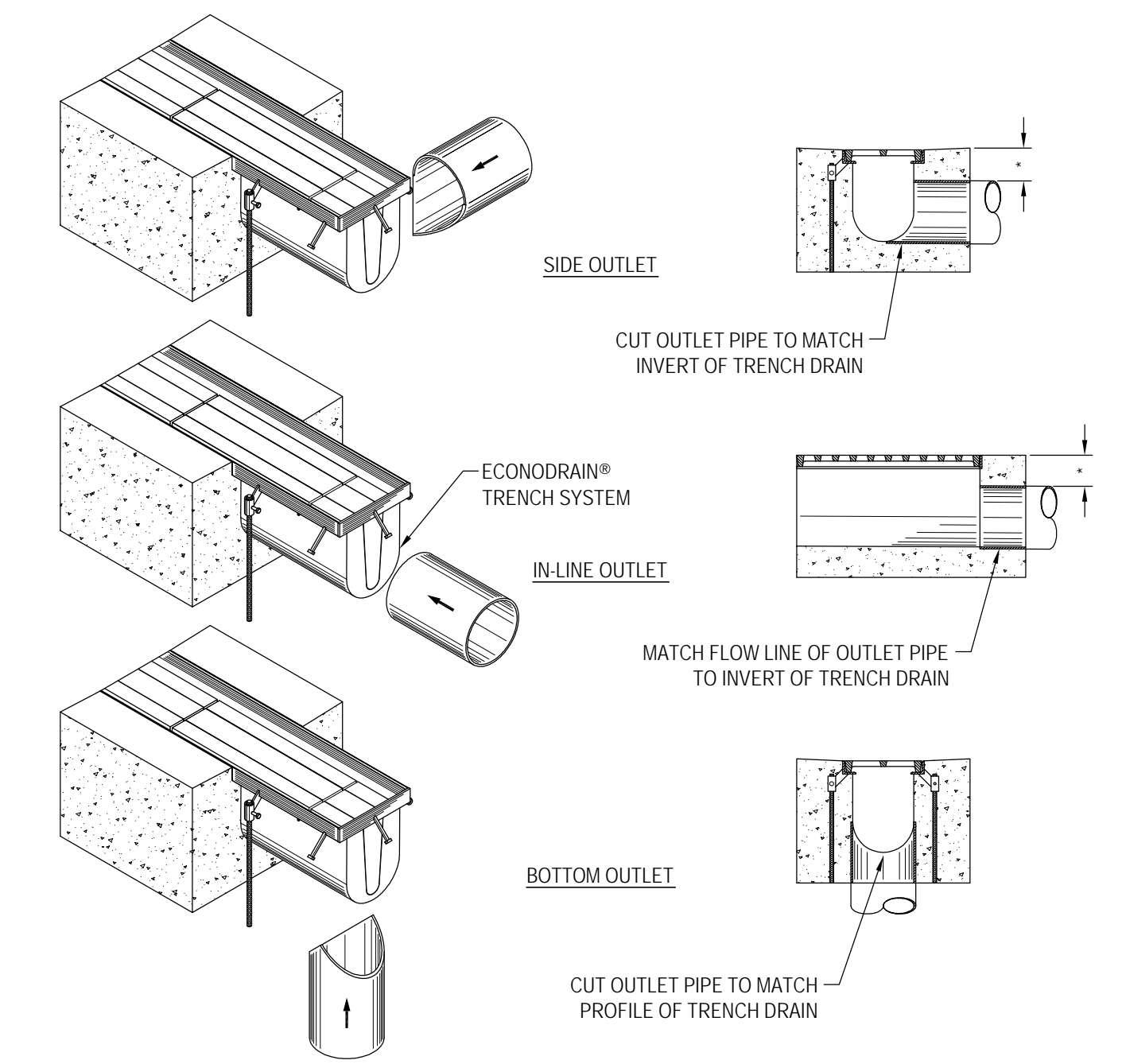
EconoDrain® Series #6
 IRON GRATE (STANDARD)



EconoDrain® Series #6
STANDARD EPS FORMS
LENGTH SCALE 1:200
DEPTH SCALE 1:20

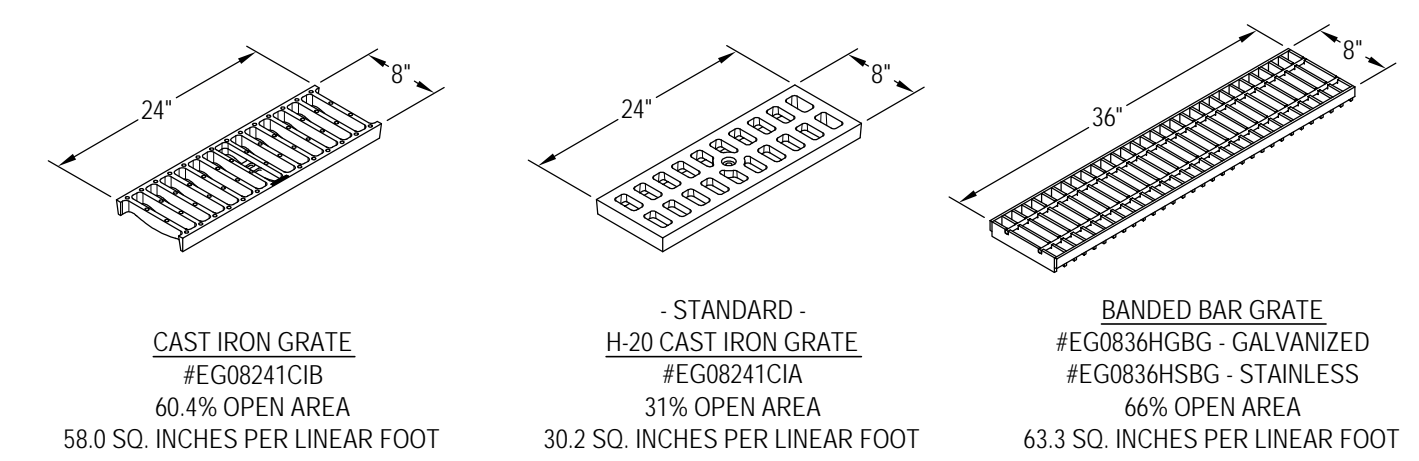
EPS FORM	DEPTH		FLOW GPM
	MIN	MAX	
06	6"	6 1/2"	196
07	6 1/2"	7"	224
08	7"	7 1/2"	253
09	7 1/2"	8"	281
10	8"	8 1/2"	310
11	8 1/2"	9"	339
12	9"	9 1/2"	368
13	9 1/2"	10"	397
14	10"	10 1/2"	426
15	10 1/2"	11"	455
16	11"	11 1/2"	484
17	11 1/2"	12"	514
18	12"	12 1/2"	543
19	12 1/2"	13"	573
20	13"	13 1/2"	602
21	13 1/2"	14"	632
22	14"	14 1/2"	661
23	14 1/2"	15"	691
24	15"	15 1/2"	721
25	15 1/2"	16"	750
26	16"	16 1/2"	780
27	16 1/2"	17"	810
28	17"	17 1/2"	840
29	17 1/2"	18"	869
30	18"	18 1/2"	899
31	18 1/2"	19"	929
32	19"	19 1/2"	959
33	19 1/2"	20"	989
34	20"	20 1/2"	1019
35	20 1/2"	21"	1048
36	21"	21 1/2"	1078
37	21 1/2"	22"	1108
38	22"	22 1/2"	1138
39	22 1/2"	23"	1168
40	23"	23 1/2"	1198
41	23 1/2"	24"	1228
42	24"	24 1/2"	1258
43	24 1/2"	25"	1288
44	25"	25 1/2"	1317
45	25 1/2"	26"	1347

EPS FORM CHART

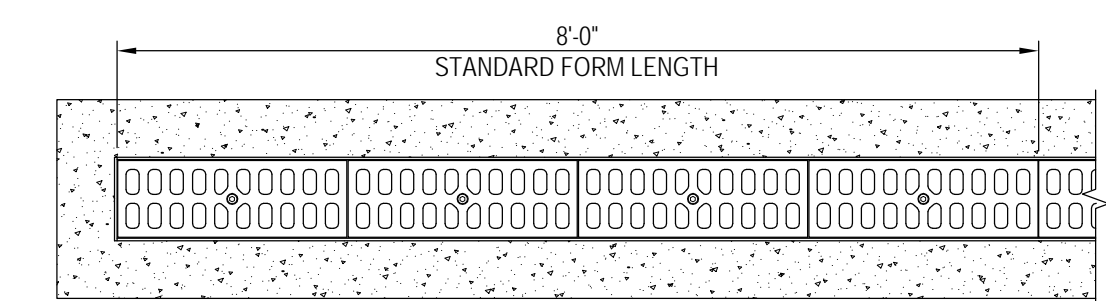


EconoDrain® Series #6
OUTLETS FROM END OF TRENCH
NOT TO SCALE

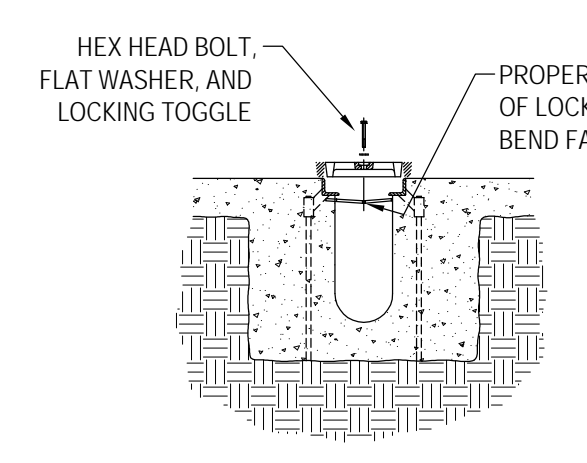
- NOTES TO THE SPECIFIER:**
1. ADD REBAR AS REQUIRED.
 2. SPECIFY MINIMUM CONCRETE ENCASEMENT.
 3. MINIMUM CONCRETE COVERAGE OF OUTLET PIPE MUST BE GREATER THAN 4 INCHES (LABELED WITH *).
 4. FINAL CONCRETE THICKNESS PER LOCAL ENGINEERING REGULATIONS AND GUIDELINES.
- CONSTRUCTION NOTES:**
1. INSTALLATION TO BE COMPLETED IN ACCORDANCE WITH MANUFACTURERS SPECIFICATIONS.
 2. SECURE OUTLET PIPE PRIOR TO CONCRETING OPERATIONS.
 3. DO NOT SCALE DRAWINGS.



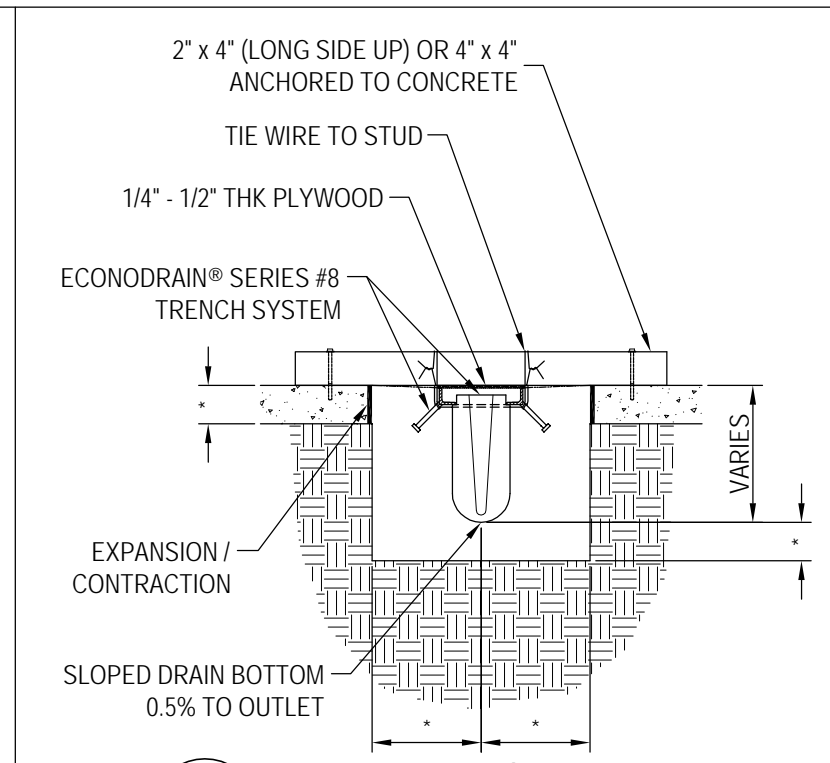
EconoDrain® Series #6
GRATE SELECTION
SCALE 1:20



EconoDrain® Series #6
FINISHED PLAN VIEW
SCALE 1:20

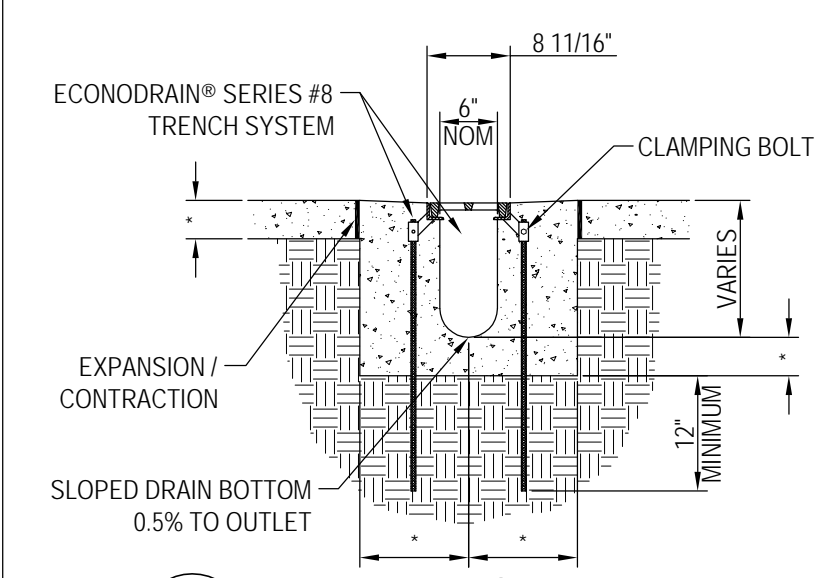


EconoDrain® Series #6
GRATE LOCKING DEVICE INSTALLATION
SCALE 1:20



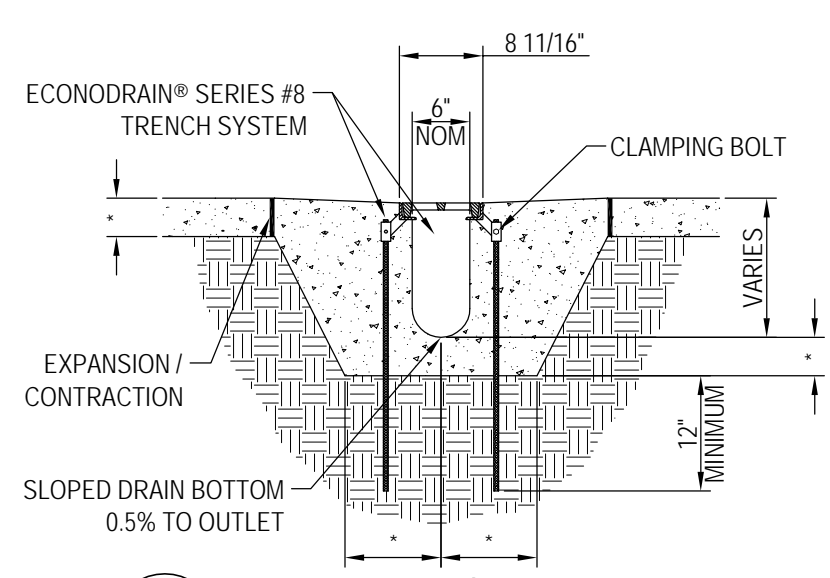
EconoDrain® Series #6
SUSPENDING FORMERS FROM EXISTING SLAB
SCALE 1:20

- NOTES TO THE SPECIFIER:**
1. ADD REBAR AS REQUIRED
 2. SPECIFY REQUIRED DIMENSIONS (LABELED WITH *)
 3. SHOW TOP OF GRATE ELEVATION IN PLAN VIEW
 4. EXPANSION / CONTRACTION JOINT PER LOCAL ENGINEERING REGULATIONS AND GUIDELINES
 5. STANDARD CHANNEL LENGTH IS 8'-0" (96")
 6. STANDARD CHANNEL SLOPE IS 0.5%



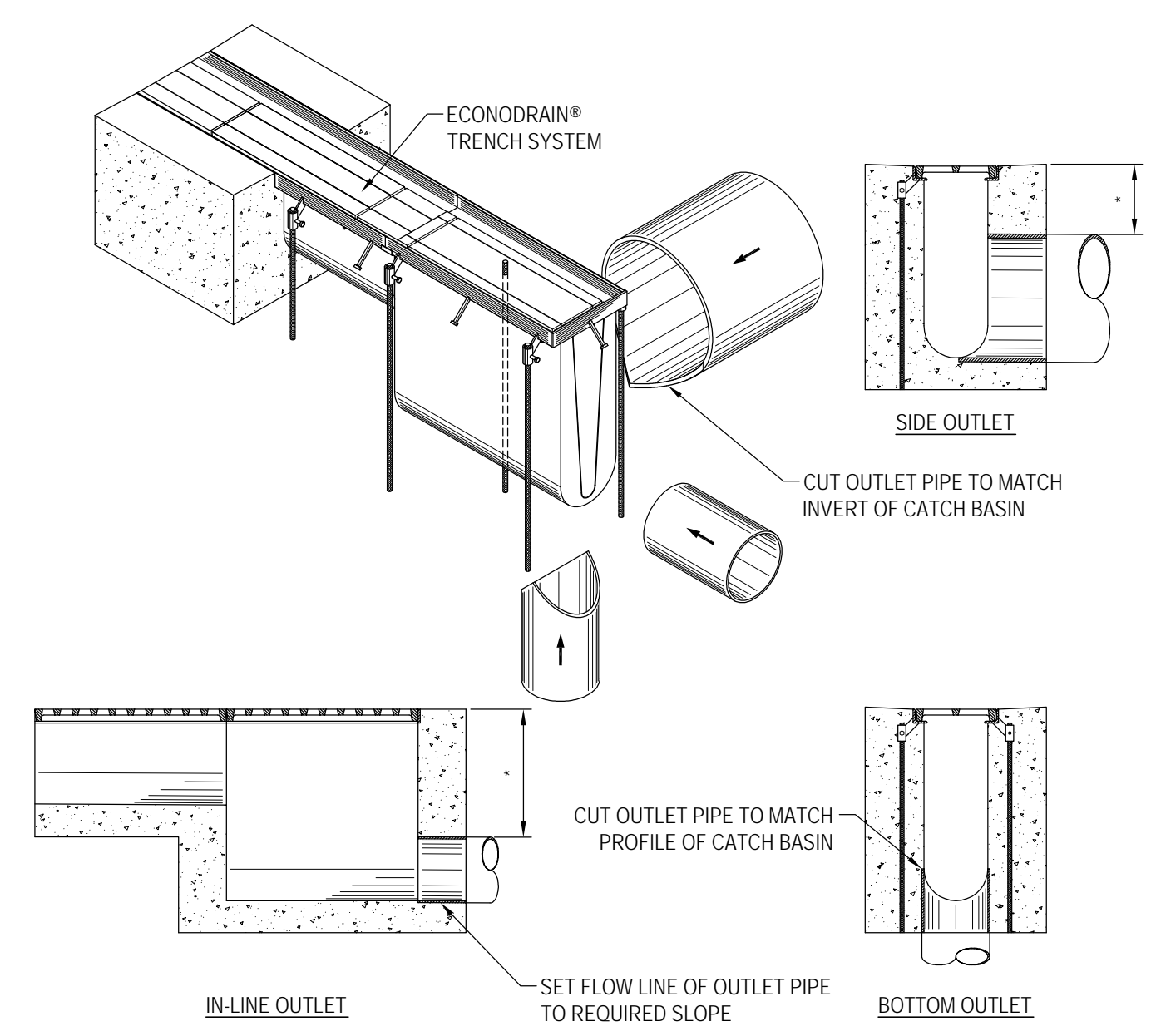
EconoDrain® Series #6
SAWCUT EXISTING SLAB INSTALLATION DETAIL
SCALE 1:20

- NOTES TO THE SPECIFIER:**
1. ADD REBAR AS REQUIRED
 2. SPECIFY REQUIRED DIMENSIONS (LABELED WITH *)
 3. SHOW TOP OF GRATE ELEVATION IN PLAN VIEW
 4. EXPANSION / CONTRACTION JOINT PER LOCAL ENGINEERING REGULATIONS AND GUIDELINES
 5. STANDARD CHANNEL LENGTH IS 8'-0" (96")
 6. STANDARD CHANNEL SLOPE IS 0.5%



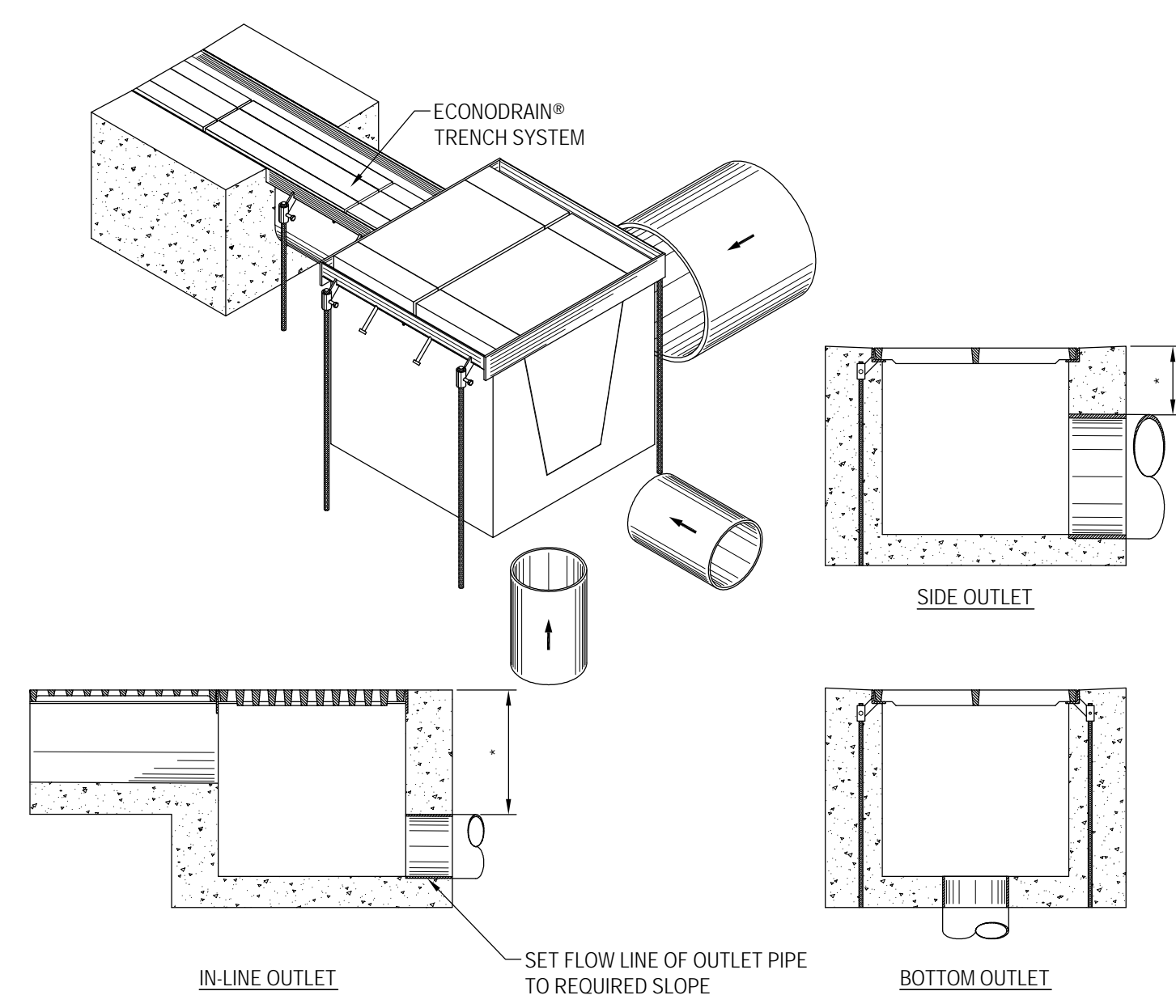
EconoDrain® Series #6
MONOLITHIC POUR INSTALLATION DETAIL
SCALE 1:20

- NOTES TO THE SPECIFIER:**
1. ADD REBAR AS REQUIRED
 2. SPECIFY REQUIRED DIMENSIONS (LABELED WITH *)
 3. SHOW TOP OF GRATE ELEVATION IN PLAN VIEW
 4. EXPANSION / CONTRACTION JOINT PER LOCAL ENGINEERING REGULATIONS AND GUIDELINES
 5. STANDARD CHANNEL LENGTH IS 8'-0" (96")
 6. STANDARD CHANNEL SLOPE IS 0.5%



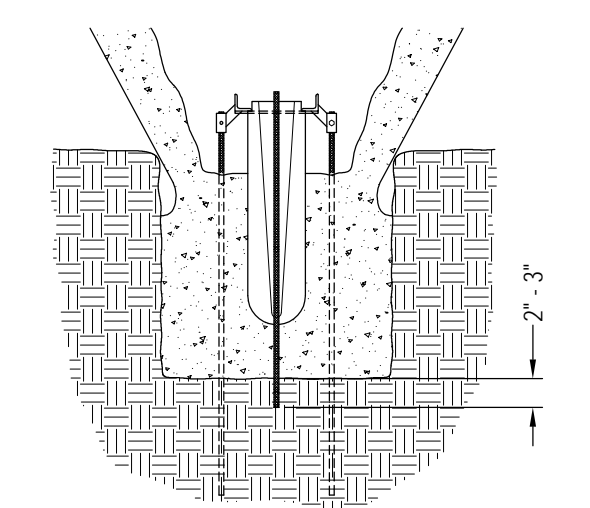
EconoDrain® Series #6
OUTLETS FROM IN-LINE CATCH BASIN
NOT TO SCALE

- NOTES TO THE SPECIFIER:**
1. ADD REBAR AS REQUIRED.
 2. SPECIFY MINIMUM CONCRETE ENCASEMENT.
 3. MINIMUM CONCRETE COVERAGE OF OUTLET PIPE MUST BE GREATER THAN 4 INCHES (LABELED WITH *).
 4. FINAL CONCRETE THICKNESS PER LOCAL ENGINEERING REGULATIONS AND GUIDELINES.
- CONSTRUCTION NOTES:**
1. INSTALLATION TO BE COMPLETED IN ACCORDANCE WITH MANUFACTURERS SPECIFICATIONS.
 2. SECURE OUTLET PIPE PRIOR TO CONCRETING OPERATIONS.
 3. DO NOT SCALE DRAWINGS.



EconoDrain® Series #6
OUTLET FROM CATCH BASIN
NOT TO SCALE

- NOTES TO THE SPECIFIER:**
1. ADD REBAR AS REQUIRED.
 2. SPECIFY MINIMUM CONCRETE ENCASEMENT.
 3. MINIMUM CONCRETE COVERAGE OF OUTLET PIPE MUST BE GREATER THAN 4 INCHES (LABELED WITH *).
 4. FINAL CONCRETE THICKNESS PER LOCAL ENGINEERING REGULATIONS AND GUIDELINES.
- CONSTRUCTION NOTES:**
1. INSTALLATION TO BE COMPLETED IN ACCORDANCE WITH MANUFACTURERS SPECIFICATIONS.
 2. SECURE OUTLET PIPE PRIOR TO CONCRETING OPERATIONS.
 3. DO NOT SCALE DRAWINGS.

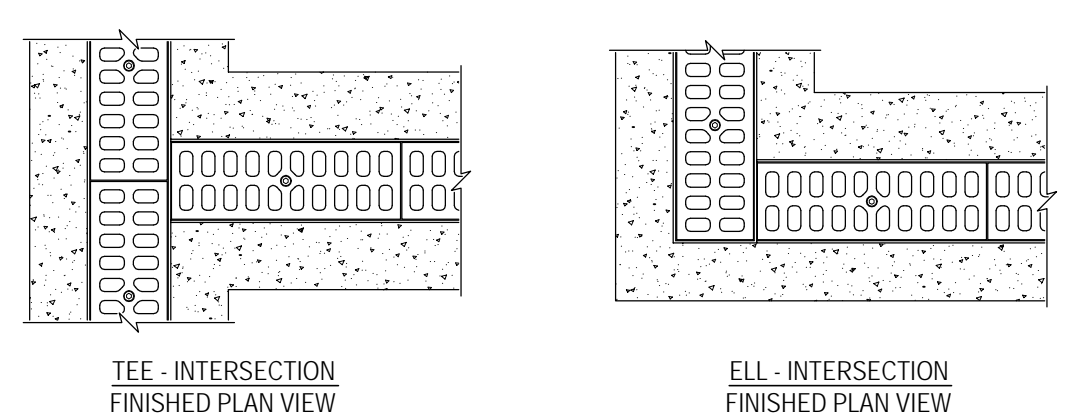


EconoDrain® Series #6
INSTALLING FORMERS IN DEEPER PORTION OF SYSTEM
SCALE 1:20

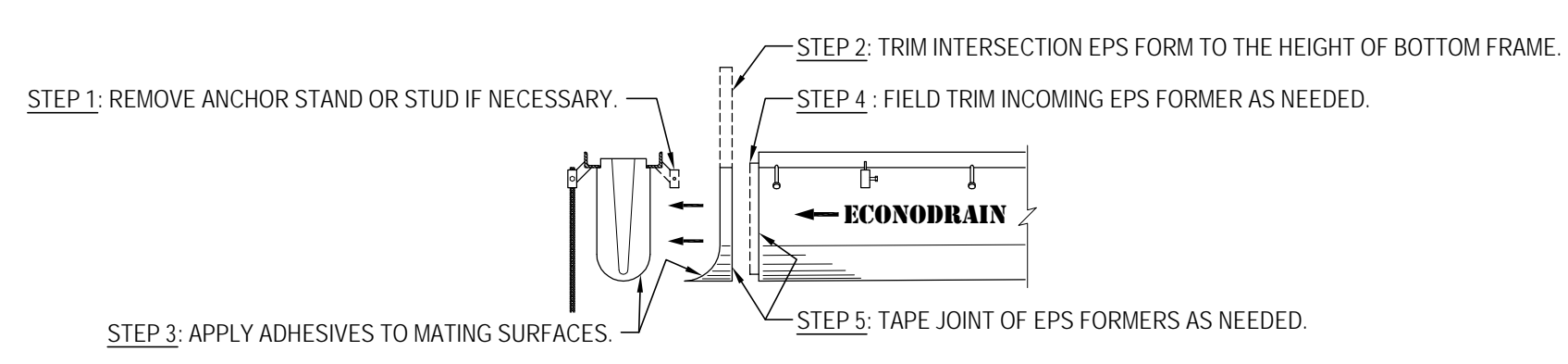
FOUR (4) HOLES ARE PROVIDED THROUGH THE CENTER OF THE DEEPER EPS FORMS FOR INSERTION OF REBAR. THESE HOLES MAINTAIN VERTICAL ALIGNMENT DURING INITIAL CONCRETE PLACEMENT. THE REBAR IS DRIVEN ONLY A FEW INCHES INTO THE GROUND OR SUB-BASE. CONCRETE MUST BE FILLED ON BOTH SIDES OF THE FORM AS EVENLY AS POSSIBLE. MULTIPLE PASSES ON EITHER SIDE ARE PREFERABLE WHILE AVOIDING FILLING THE TRENCH FROM ONE SIDE.

SEE INSTALLATION INSTRUCTIONS STEP 15: HOW TO POUR CONCRETE AROUND ECONODRAIN® TRENCH FORMING SYSTEM.

THE REBAR MUST BE REMOVED ONCE THE CONCRETE/FORM PRESSURE EQUALIZES BUT PRIOR TO THE CONCRETE SETTING UP.



TEE - INTERSECTION FINISHED PLAN VIEW
ELL - INTERSECTION FINISHED PLAN VIEW



EconoDrain® Series #6
TEE & ELL INTERSECTION KITS
SCALE 1:20