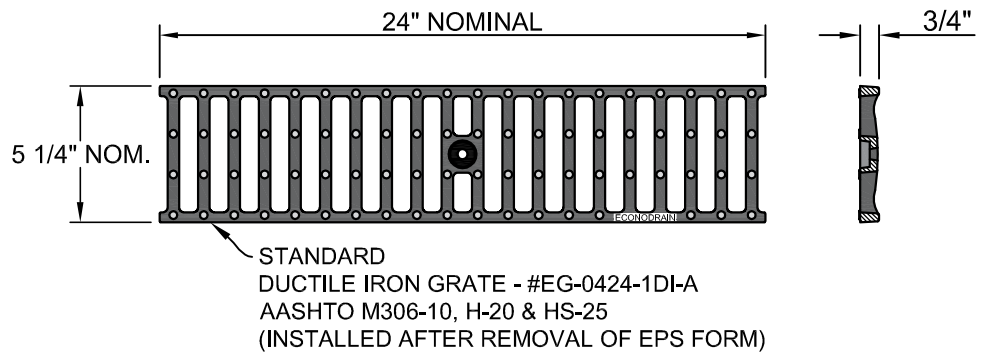


FINISH SPECIFICATION
 GRATE FRAME: BLACK POLYESTER POWDER COAT
 HOT DIP GALVANIZE - OPTIONAL
 STAINLESS STEEL - OPTIONAL
 CAST GRATE : SHOP BLACK - STANDARD
 HOT DIP GALVANIZE - OPTIONAL

51.9% OPEN AREA
 33.5 SQUARE INCHES PER
 LINEAR FOOT



NOTES:

1. INSTALLATION TO BE COMPLETED IN ACCORDANCE WITH MANUFACTURER'S SPECIFICATIONS AND INSTALLATION INSTRUCTIONS.
2. A TRENCH SHALL BE EXCAVATED A MINIMUM OF 12" WIDER THAN THE OVERALL WIDTH OF THE STEEL FRAME (6" MINIMUM ON EACH SIDE) AND A MINIMUM OF 6 INCHES DEEPER THAN THE OVERALL DEPTH OF THE ECONODRAIN EPS FORM.
3. DO NOT SCALE DRAWINGS.

Copyright © 2014 MultiDrain Systems, Inc.

MultiDrain

1405 INDUSTRIAL DRIVE
 STATESVILLE, NC 28625
 (704) 508-1010
 1-800-433-1119
 www.multidrain.com

EconoDrain® Series #4
Slotted Ductile Iron Grate (Standard)

FILE NUMBER:

CSI-ED-0496-1DI-A-14a

REV: 00

Proprietary rights of MultiDrain Systems, Inc. are included in the information disclosed herein. The recipient, by accepting this document, agrees that neither this document nor the information disclosed herein nor any part thereof shall be copied, reproduced or transferred for manufacturing or for any other purpose except as specifically authorized in writing by MULTIDRAIN.

DISCLAIMER: The customer and the customer's architects, engineers, consultants and other professionals are completely responsible for the selection, installation, and maintenance of any product purchased from MultiDrain, and EXCEPT AS EXPRESSLY PROVIDED IN MULTIDRAIN'S STANDARD WARRANTIES, MULTIDRAIN MAKES NO WARRANTY, EXPRESS OR IMPLIED, AS TO THE SUITABILITY, DESIGN, MERCHANTABILITY, OR FITNESS OF THE PRODUCT FOR CUSTOMER'S APPLICATION. Copies of MultiDrain's standard warranties are available upon request.