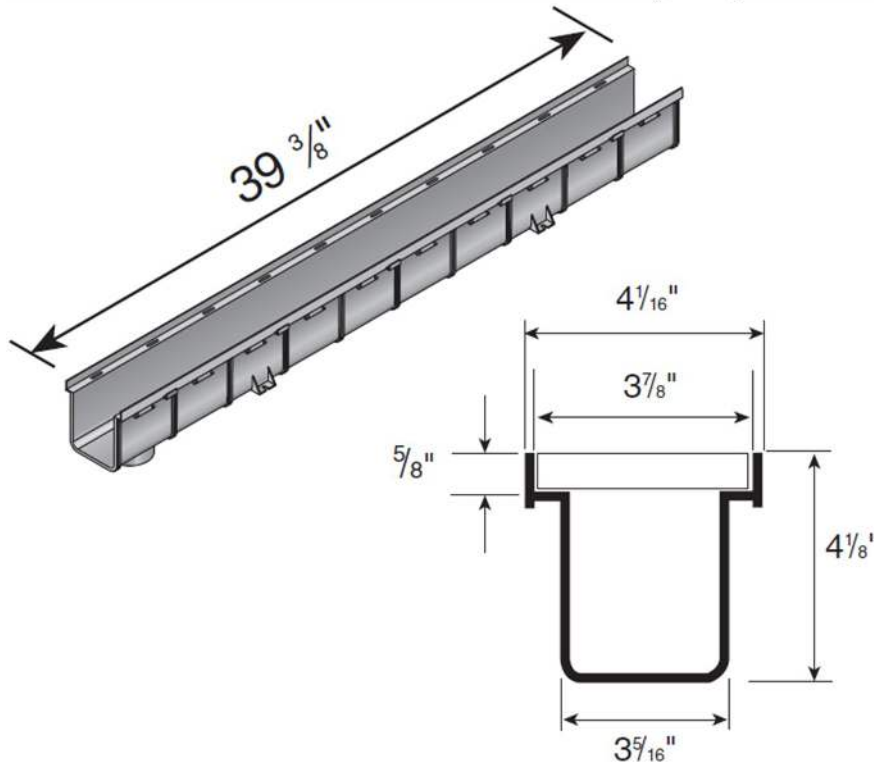


## 3" Pro Series Channel



Part #: 710 ( 3" x 1 Meter Channel)  
 Material: Channel PVC  
 Color: Light Gray ( Grate)  
 Use with 3" Pro Series Grates  
 Fits: Bottom Outlet fits 3" Sewer/Drain Fitting  
 Weight Per Each: 2.50 lbs.  
 UV inhibitor



### Class B

- Loads of 61-175 psi.
- Recommended for medium-duty pneumatic tire traffic, autos and light trucks at speeds less than 20 m.p.h.

