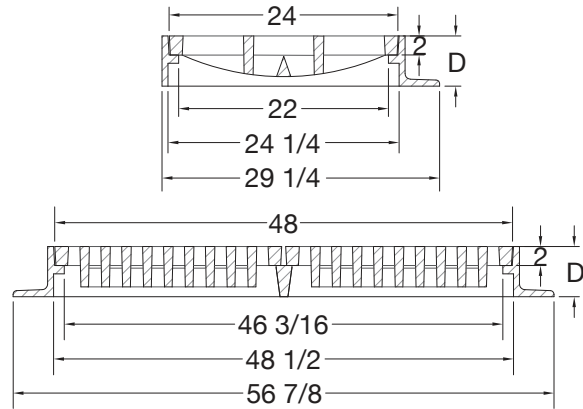
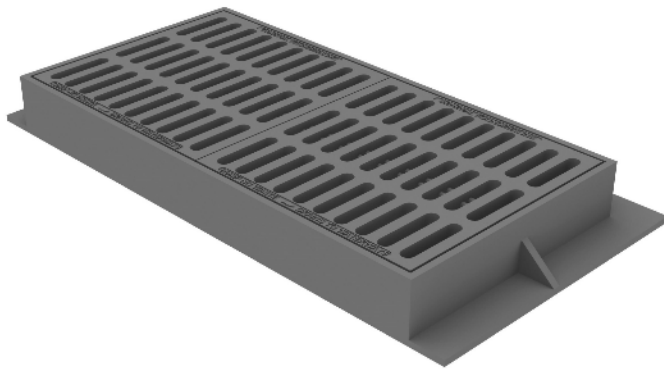


Heavy Duty, Built Up Type Frame, Bike Safe Grate



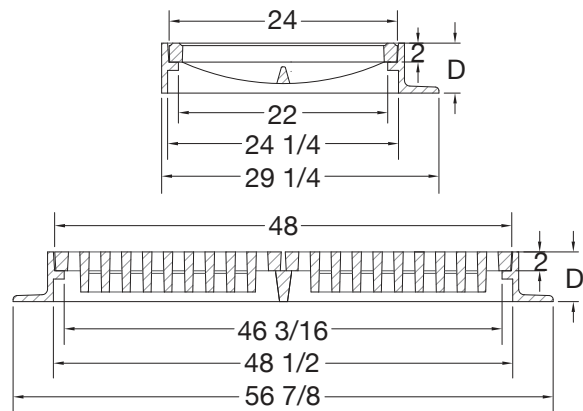
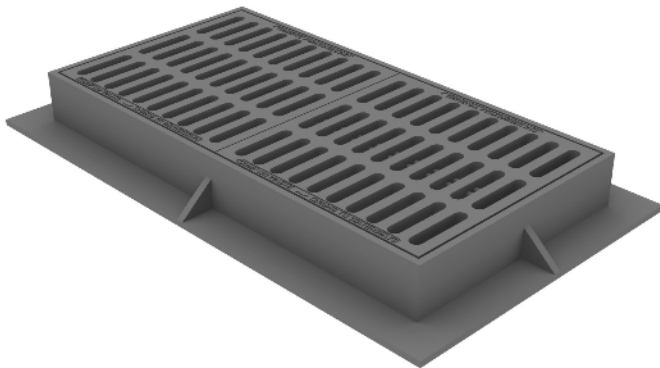
NOTES:

- Dimensions are approximate & in inches
- Gray Iron, Class 30B
- Conforms to ASTM A48 / A48M-03 specifications
- * Please specify if required in Class 35B or Ductile Iron

FRAME
HEIGHT

PRODUCT NO.	D	FRAME
24843BS	4	3 Flange
24863BS	6	3 Flange
24883BS	8	3 Flange

Heavy Duty, Built Up Type Frame, Bike Safe Grate



NOTES:

- Dimensions are approximate & in inches
- Gray Iron, Class 30B
- Conforms to ASTM A48 / A48M-03 specifications
- * Please specify if required in Class 35B or Ductile Iron

FRAME
HEIGHT

PRODUCT NO.	D	FRAME
24844BS	4	4 Flange
24864BS	6	4 Flange
24884BS	8	4 Flange

