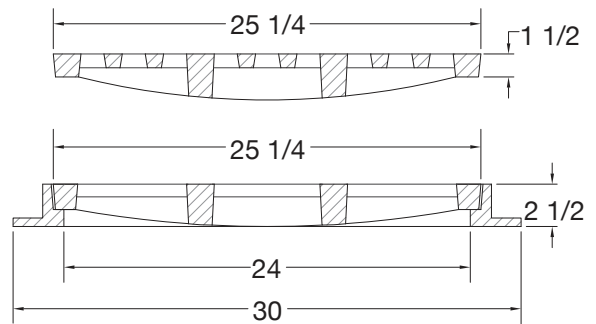
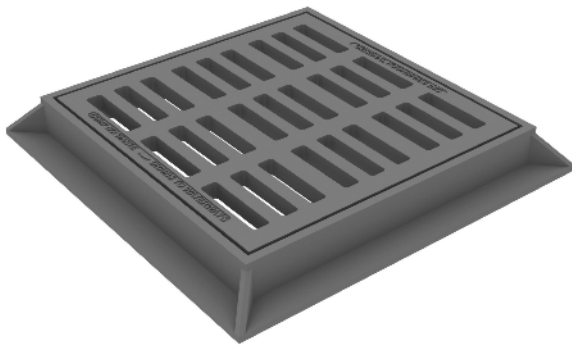


Heavy Duty, Built Up Type Frame, Slotted Grate



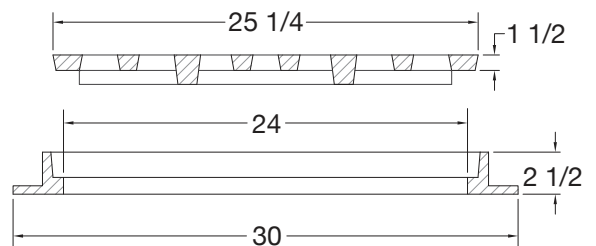
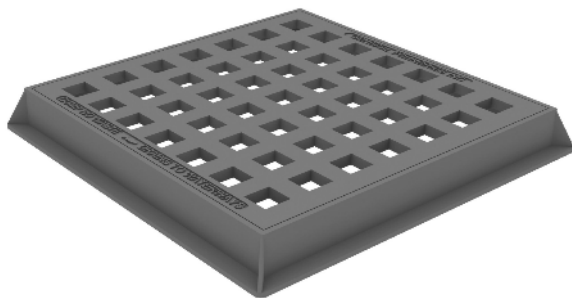
**NOTES:**

- Dimensions are approximate & in inches
- Gray Iron, Class 30B
- Conforms to ASTM A48 / A48M-03 specifications
- \* Please specify if required in Class 35B or Ductile Iron

**PRODUCT NO.**

**22533**

Heavy Duty, Built Up Type Frame, Square Hole Grate



**NOTES:**

- Dimensions are approximate & in inches
- Gray Iron, Class 30B
- Conforms to ASTM A48 / A48M-03 specifications
- \* Please specify if required in Class 35B or Ductile Iron

**PRODUCT NO.**

**22534**

