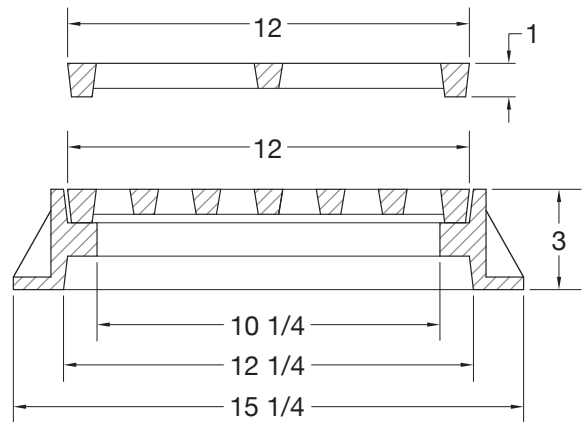


Light Duty, Reversible Type Frame, Bike Safe Grate



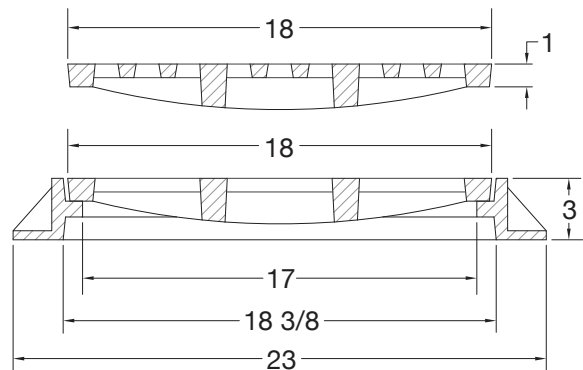
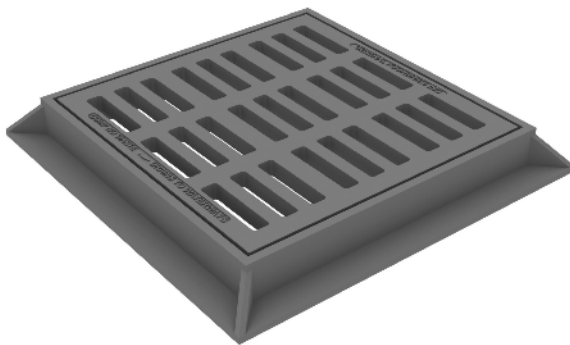
NOTES:

- Dimensions are approximate & in inches
- Gray Iron, Class 30B
- Conforms to ASTM A48 / A48M-03 specifications
- * Please specify if required in Class 35B or Ductile Iron

PRODUCT NO.

21232

Heavy Duty, Reversible Type Frame, Slotted Grate



NOTES:

- Dimensions are approximate & in inches
- Gray Iron, Class 30B
- Conforms to ASTM A48 / A48M-03 specifications
- * Please specify if required in Class 35B or Ductile Iron

PRODUCT NO.

21833

