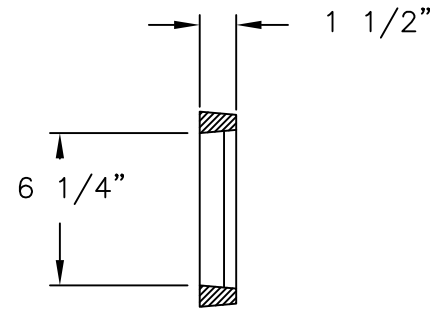
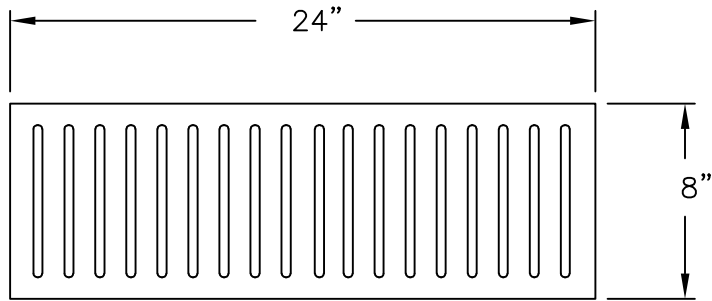


V7381 Trench Grate



GRATE SECTION

Product Number

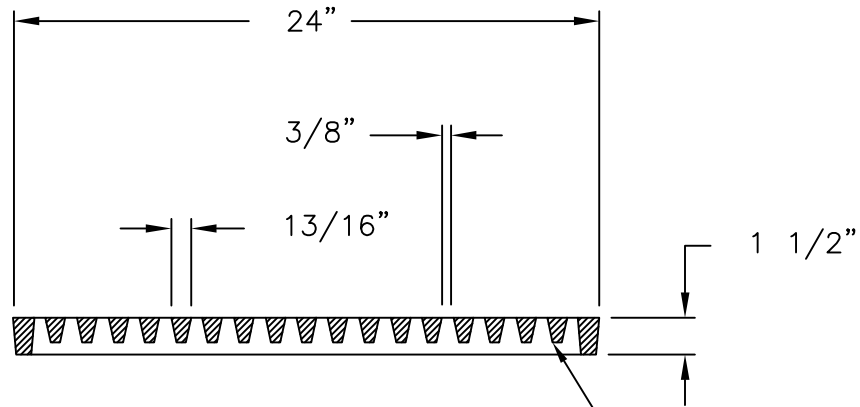
47381030

Design Features

- Materials
Gray Iron (CL35B)
- Load Rating
Heavy Duty
- Open Area
42 SQ. INCHES
- Coating
Undipped
- √ Designates Machined Surface

Certification

- ASTM A48
- ADA
-
- Country of Origin: USA



GRATE SECTION

EJ
ASTM A48 CL35B
SERIES
PROD.NO.

Drawing Revision

12/14/2007 Designer: SBB
7/6/2017 Revised By: MAH

Disclaimer

Weights (lbs./kg) dimensions (inches/mm) and drawings provided for your guidance. We reserve the right to modify specifications without prior notice.

CONFIDENTIAL: This drawing is the property of EJ GROUP, Inc., and embodies confidential information, registered marks, patents, trade secret information, and/or know how that is the property of EJ GROUP, Inc. Copyright © 2011 EJ GROUP, Inc. All rights reserved.

Contact

800 626 4653
ejco.com