

6893 PATRIOT Trench Grate



Product Number

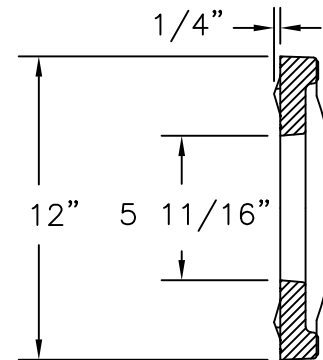
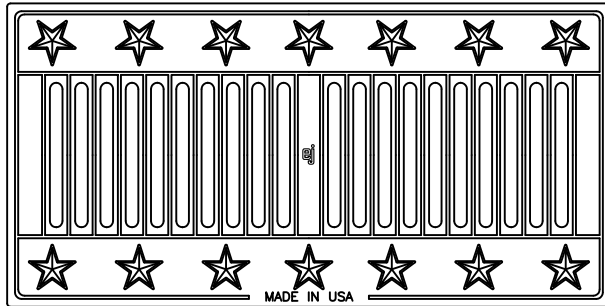
00689331

Design Features

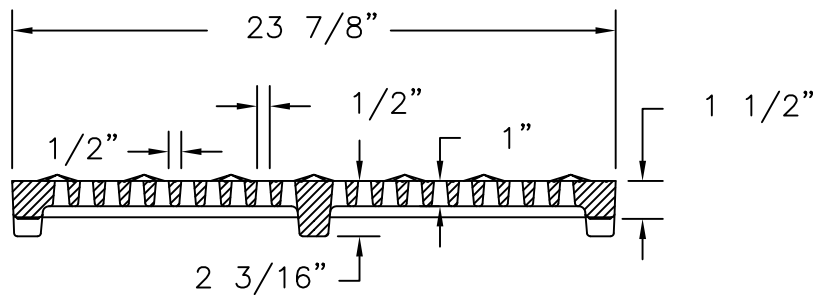
- Materials
Gray Iron (CL35B)
- Design Load
Heavy Duty
- Open Area
56 SQ. IN.
- Coating
Undipped
- √ Designates Machined Surface

Certification

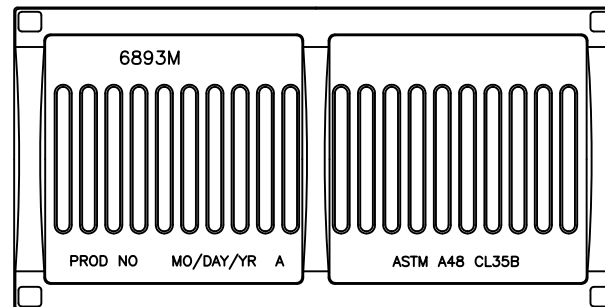
- ASTM A48
-
-
- Country of Origin: USA



GRATE SECTION



GRATE SECTION



BOTTOM VIEW

Drawing Revision

10/24/2002 Designer: SMH
9/18/2013 Revised By: DAE

Disclaimer

Weights (lbs./kg) dimensions (inches/mm) and drawings provided for your guidance. We reserve the right to modify specifications without prior notice.

CONFIDENTIAL: This drawing is the property of EJ GROUP, Inc., and embodies confidential information, registered marks, patents, trade secret information, and/or know how that is the property of EJ GROUP, Inc. Copyright © 2011 EJ GROUP, Inc. All rights reserved.

Contact

800 626 4653
ejco.com