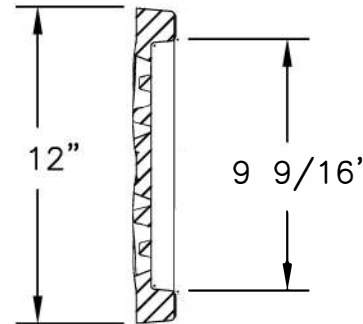
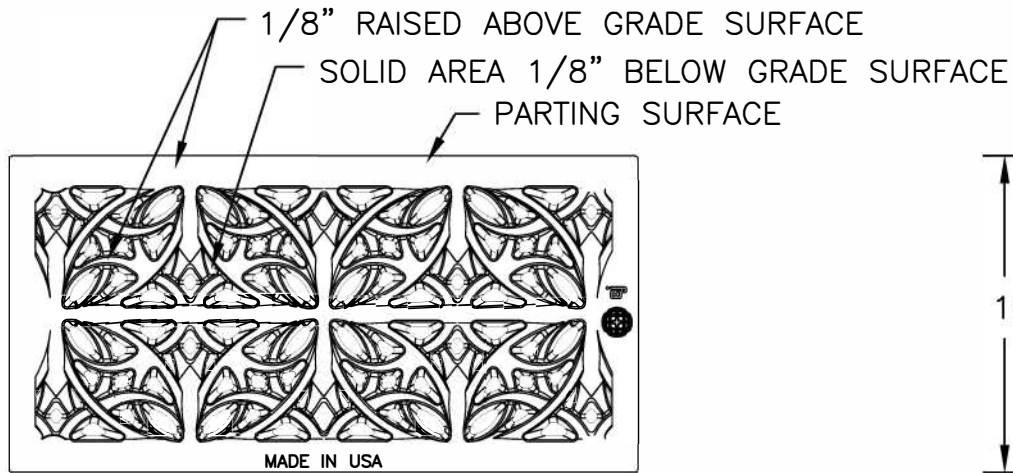
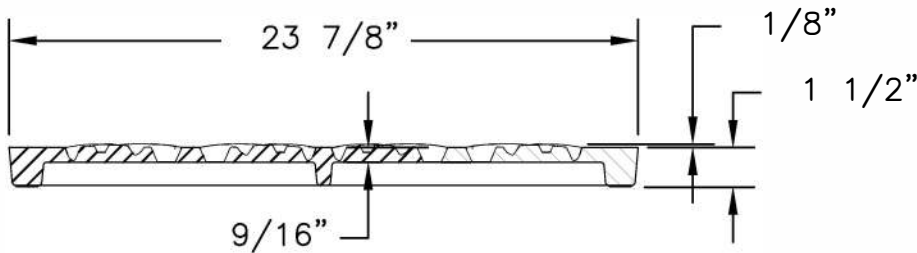


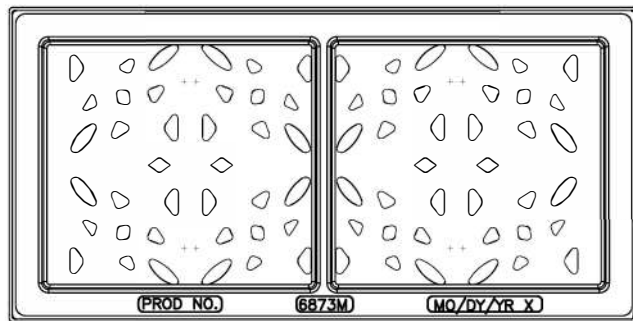
6873M GARLAND Trench Grate



SECTION



SECTION



BOTTOM VIEW

Product Number

00687331

Design Features

- Materials
Gray Iron (CL35B)
- Design Load
Medium Duty
- Open Area
26 SQ.IN.
- Coating
Undipped
- Designates Machined Surface

Certification

- ASTM A48
-
-
- Country of Origin: USA

Drawing Revision

02/14/2005 Designer: DEW
07/12/2013 Revised By: DEF

Disclaimer

Weights (lbs./kg) dimensions (inches/mm) and drawings provided for your guidance. We reserve the right to modify specifications without prior notice.

CONFIDENTIAL: This drawing is the property of EJ GROUP, Inc., and embodies confidential information, registered marks, patents, trade secret information, and/or know how that is the property of EJ GROUP, Inc. Copyright © 2012 EJ GROUP, Inc. All rights reserved.

Contact

800 626 4653
ejco.com