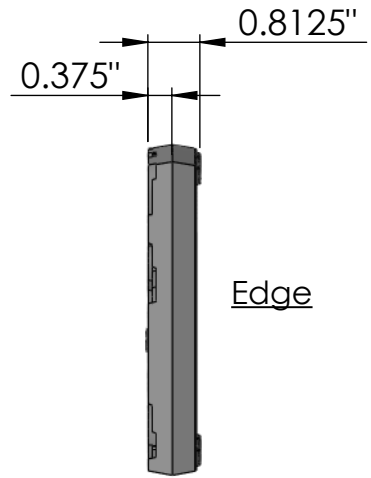
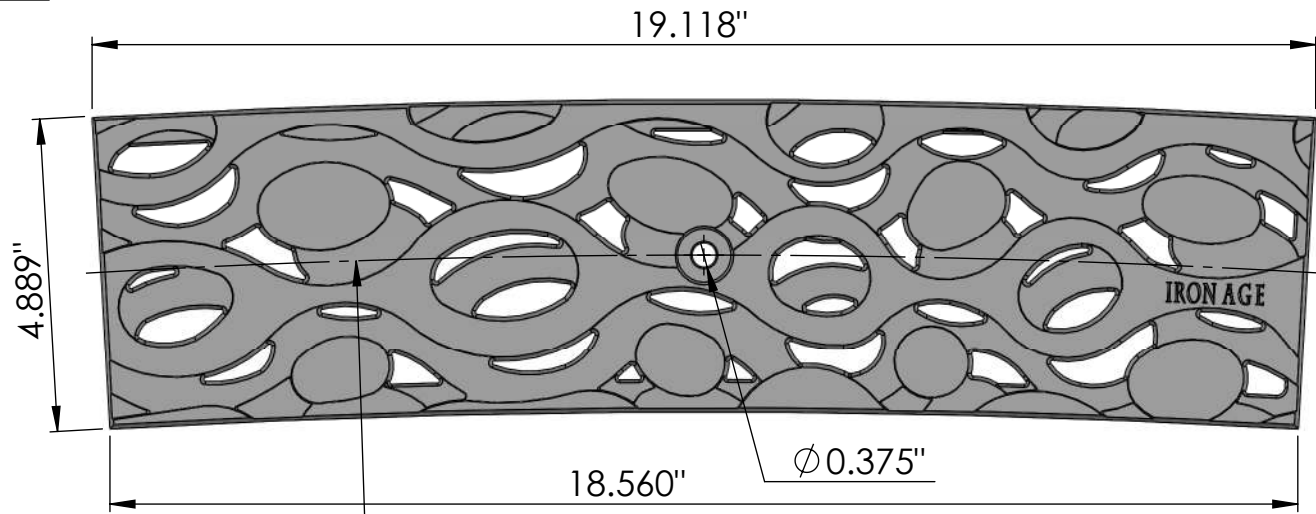


Front

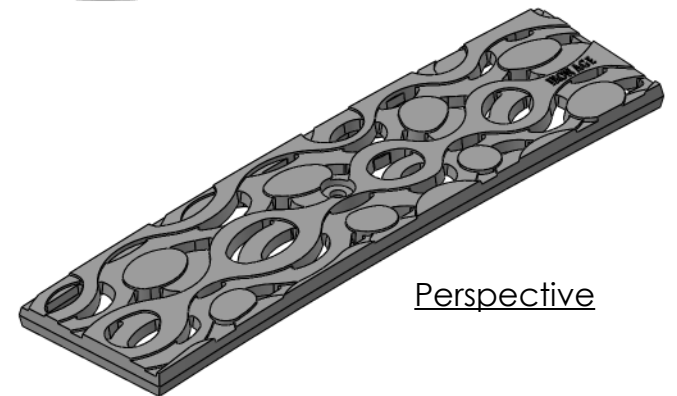
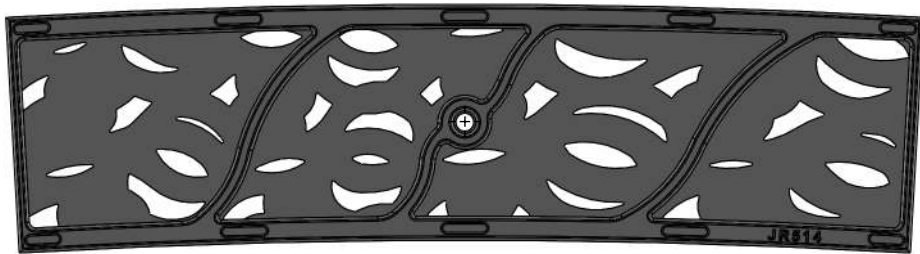



Side

CLR13'-9"



Back



 **IRON AGE** 2104 SW 152nd st #4 TEL 206.276.0925
 DESIGNS Burién, WA 98166 FAX 206.257.0318
 www.ironagedesigns.com

Janis 5"x13'9"CLR

JOB NO. 130206SG-Kontos Pool

DWG. NO. 01-JAN.I.5x13'9"CLR

Drawn by: JH

Date: 3/7/13

Scale: NTS

NOTES:

1. Material: cast iron
2. Natural finish
3. Edge thickness: 13/16"
4. Fits custom radiused trench 13'9"CLR
5. No openings greater than 1/2"
6. Weight approx. < 9 lbs
7. Due to casting inconsistencies all dimensions are nominal