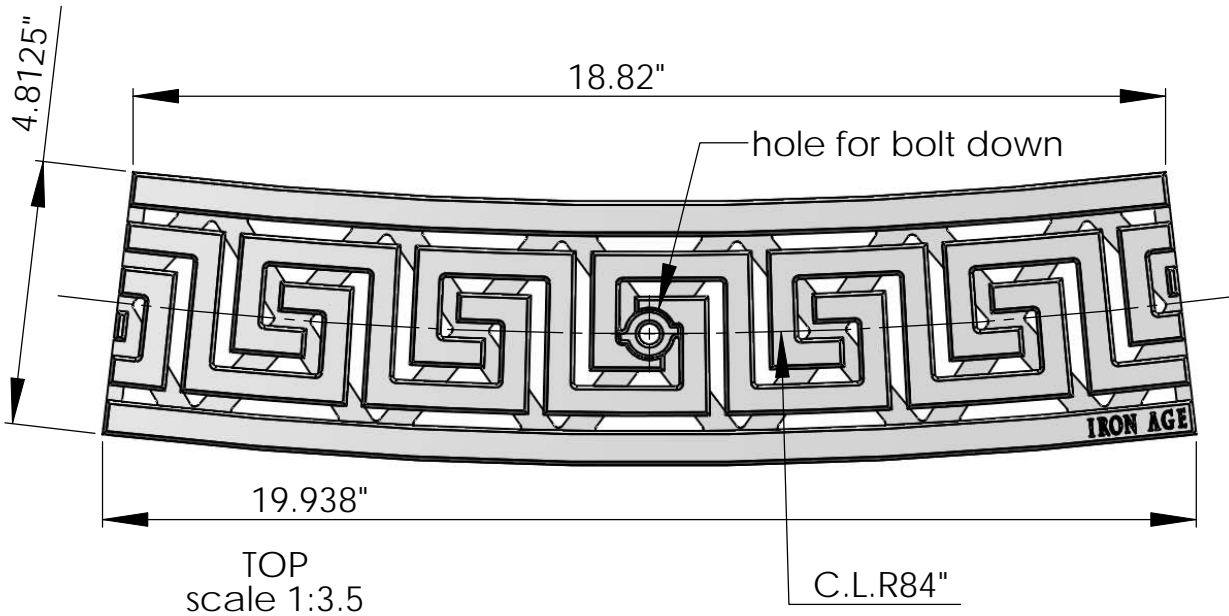
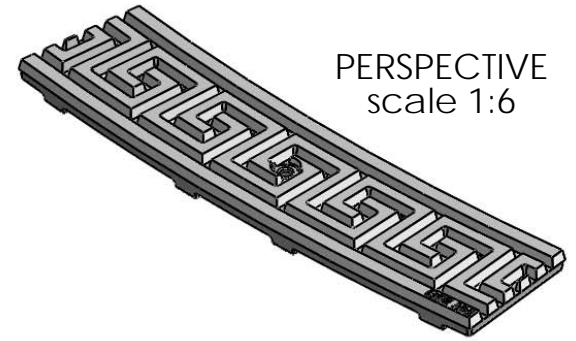


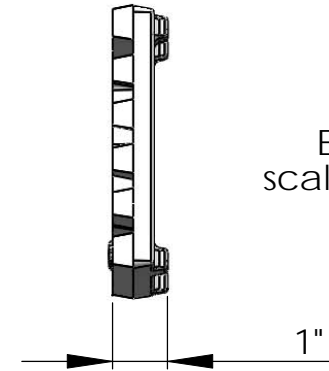
3 castings arrayed  
scale 1:10



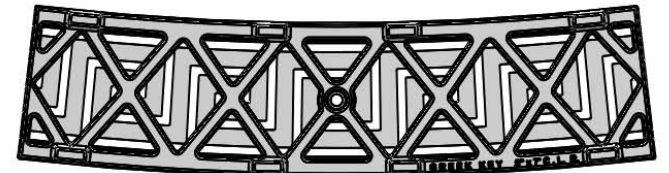
PERSPECTIVE  
scale 1:6



END  
scale 1:3.5



EDGE  
scale 1:3.5



BOTTOM  
scale 1:6

**NOTES:**

1. Material: cast iron
2. Finish: Natural
3. Total Thickness: 1"
4. Fits frame manufactured by: Iron Age™
5. No openings greater than: 1/2"
6. Approx. weight 10+ lbs.
7. Due to casting inconsistencies all dimensions are nominal

U.S. Patent Pending © 2010 Iron Age Designs

 **IRON AGE** 2104 SW 152nd st #4 TEL 206.276.0925  
DESIGNS Burién, WA 98166 FAX 206.257.0318  
www.ironagedesigns.com

Greek Key 5" trench drain 7' C.L.R.

JOB NO. 100320ABT Drawn by: CD  
DWG. NO. GRK.5x7'CLR Date: 07/21/10  
Scale: NTS