



**610-638-1221**  
**sales@trenchdrain.com**  
 PO BOX 377 - FREMONT, OH 43420

PROJECT ID: \_\_\_\_\_  
 CONTRACT NO: \_\_\_\_\_

LOCATION: \_\_\_\_\_

RELEASED: 3.4.22  
 REVISION: B

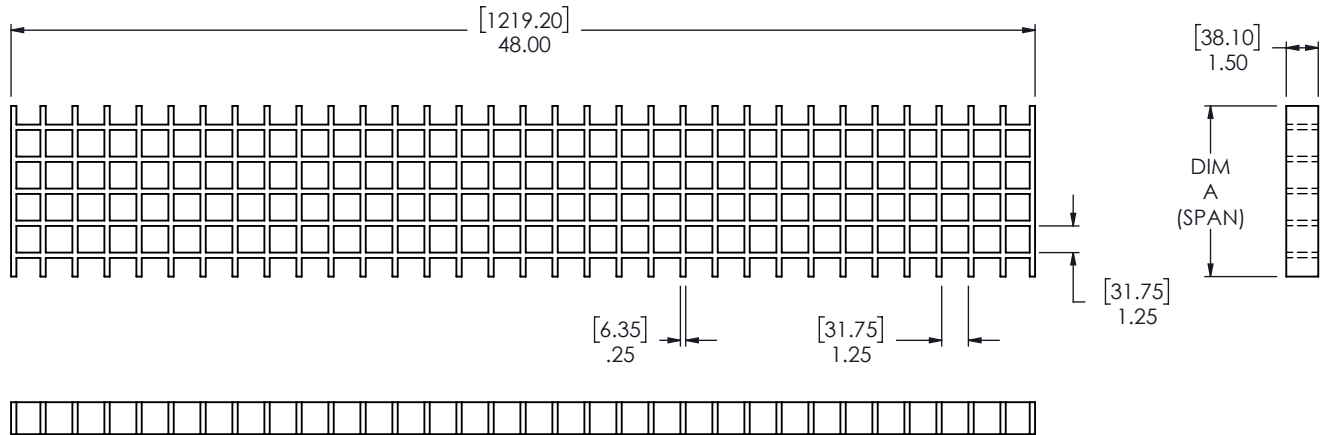
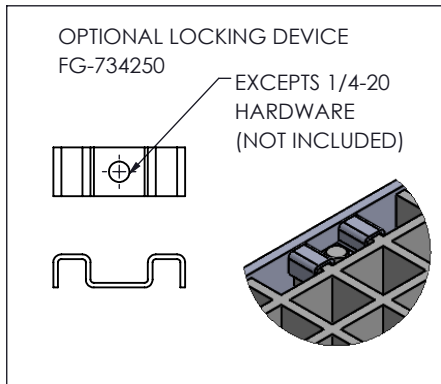
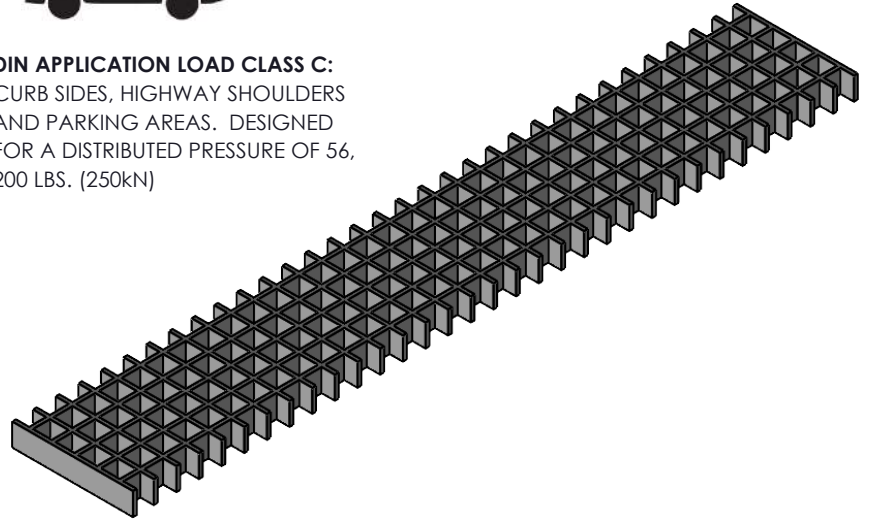
**FG-MESH**

**GRATE FIBERGLASS MESH 1.5" X 1.5" SQ**

PART NO.	DIM A
FG-MESH-0848	8.00 [203]
FG-MESH-1048	10.00 [254]
FG-MESH-1248	12.50 [318]
FG-MESH-1448	14.00 [356]



**DIN APPLICATION LOAD CLASS C:**  
 CURB SIDES, HIGHWAY SHOULDERS  
 AND PARKING AREAS. DESIGNED  
 FOR A DISTRIBUTED PRESSURE OF 56,  
 200 LBS. (250kN)



**MANUFACTURER**



DISCLAIMER - The customer and the customer's architects, engineers, consultants, and other professionals are completely responsible for the selection installation and maintenance of any product purchased from Trench Drain Systems and/or its manufacturers. TRENCH DRAIN SYSTEMS MAKES NO WARRANTY, EXPRESS OR IMPLIED, AS TO THE SUITABILITY, DESIGN, MERCHANTABILITY, OR FITNESS OF THE PRODUCT FOR CUSTOMERS APPLICATION. The drawing and information provided remain the property and copyright of the manufacturer listed. The manufacturer reserves the right to modify specification without notice.

**ENGINEERING SPECIFICATION**

TDS FIBERGLASS GRATES ARE MANUFACTURED WITH LAYERS OF RESIN AND FIBERGLASS STRANDS TO CREATE A GRATING SYSTEM WITH EXCELLENT IMPACT RESISTANCE THAT PROVIDES BETTER TRACTION THAN METAL BAR GRATING. IT IS CORROSION RESISTANT, LIGHTWEIGHT, NONCONDUCTIVE AND NONMAGNETIC. THE GRATE HAS AN OPEN AREA OF 70%. EACH GRATE MEASURES 1.50" THICK X 48.00" LONG.