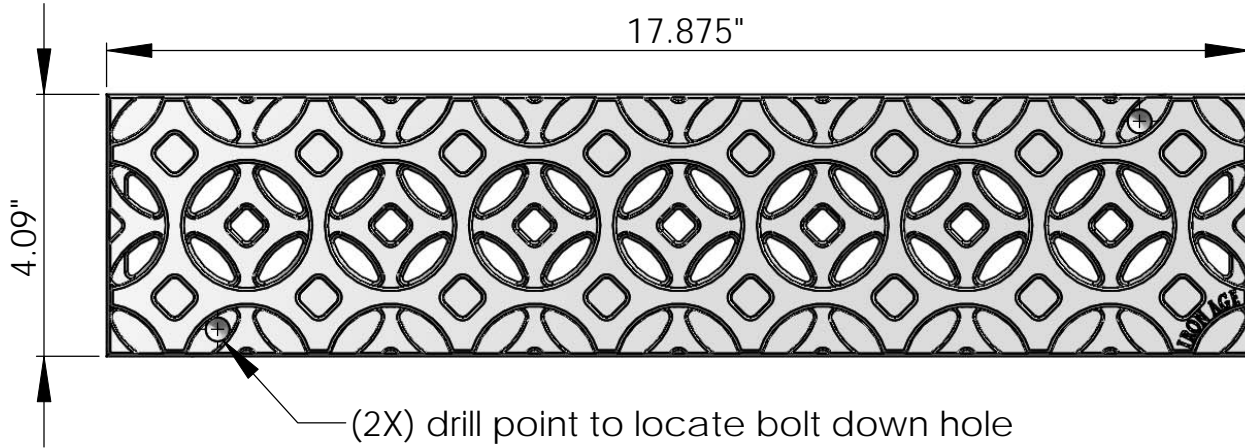
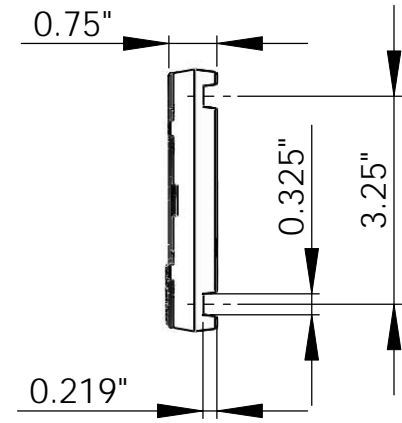


TOP
scale 1:3



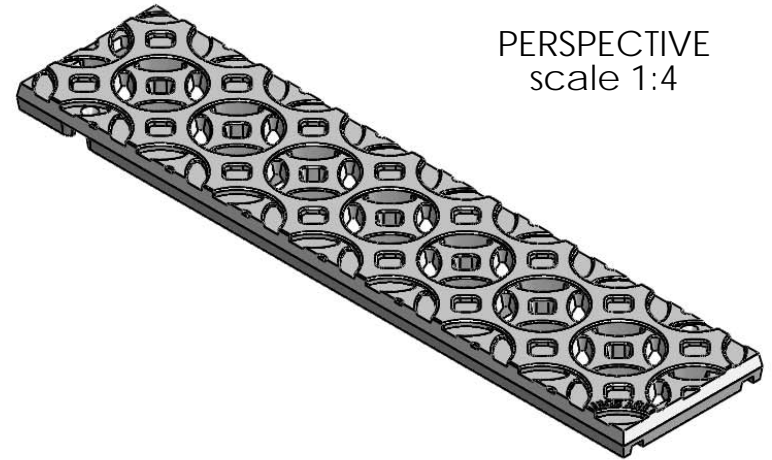
END
scale 1:3



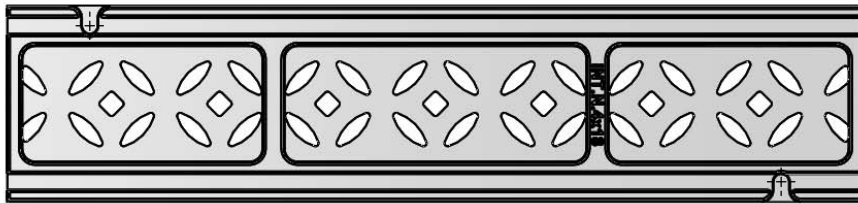
EDGE
scale 1:3



PERSPECTIVE
scale 1:4



BACK
scale 1:4



NOTES:

1. Material: cast ductile iron
2. Finish: Natural
3. Total Thickness: .75"
4. Fits drain channel manufactured by: NDS™ speed channel™
5. No openings greater than: 1/2"
6. Free drain area: ~ 11%
7. Approx. weight approx. 8 lbs.
8. Due to casting inconsistencies all dimensions are nominal

 **IRON AGE** 2104 SW 152nd st #4 TEL 206.276.0925
 Burién, WA 98166 FAX 206.257.0318
 DESIGNS www.ironagedrains.com

Interlaken 4"x18" trench drain

Drawn by: CD
Date: 09/02/09
Scale: NTS

DWG. NO. INT.N.4x18

U.S. Patent D 575.881 © 2009 Iron Age Designs