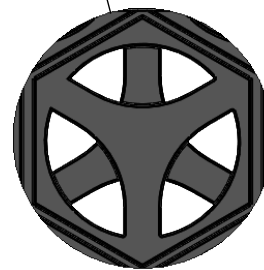
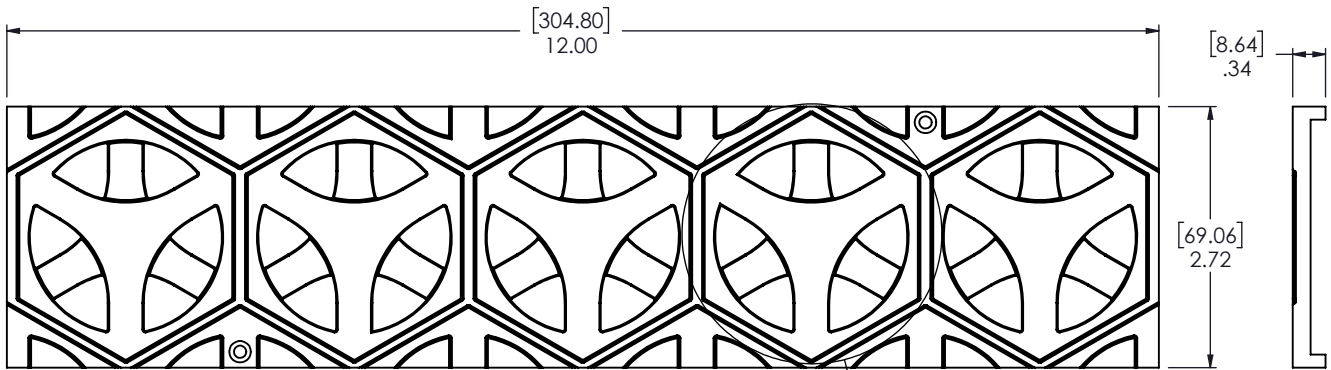


BA-TAR-0312

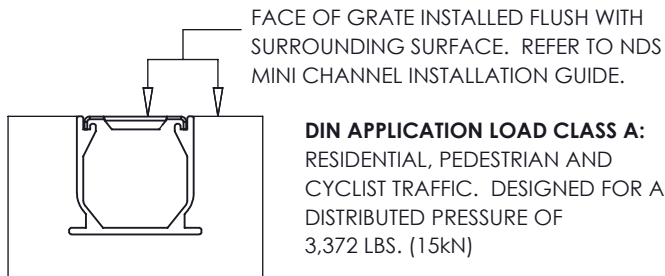
GRATE BRONZE AGE TARDIS PATTERN for NDS MINI CHANNEL



PART NO.	MATERIAL	FINISH	WEIGHT	OPEN AREA	FLOW RATE	GRATE HOLD DOWN HARDWARE (NOT INCLUDED)
BA-TAR-0312	BRONZE	NATURAL	1.0 LBS.	19%	21.0 GPM PER LINEAR FOOT WITH 1/2" OF HEAD	NDS-529B
BA-TAR-0312-B		BRUSHED	1.0 LBS.			
BA-TAR-0312-A	ALUMINUM (MARINE GRADE)	NATURAL	0.5 LBS.			NDS-529



GRATE PATTERN OPENINGS



DISCLAIMER - The customer and the customer's architects, engineers, consultants and other professionals are completely responsible for the selection, installation and maintenance of any product purchased from Trench Drain Systems and/or its manufacturers. TRENCH DRAIN SYSTEMS MAKES NO WARRANTY, EXPRESS OR IMPLIED, AS TO THE SUITABILITY, DESIGN, MERCHANTABILITY, OR FITNESS OF THE PRODUCT FOR CUSTOMERS APPLICATION. The drawing and information provided remain the property and copyright of the manufacturer listed. The manufacturer reserves the right to modify specification without notice.