

RELEASED: 4.6.23
 REVISION: B

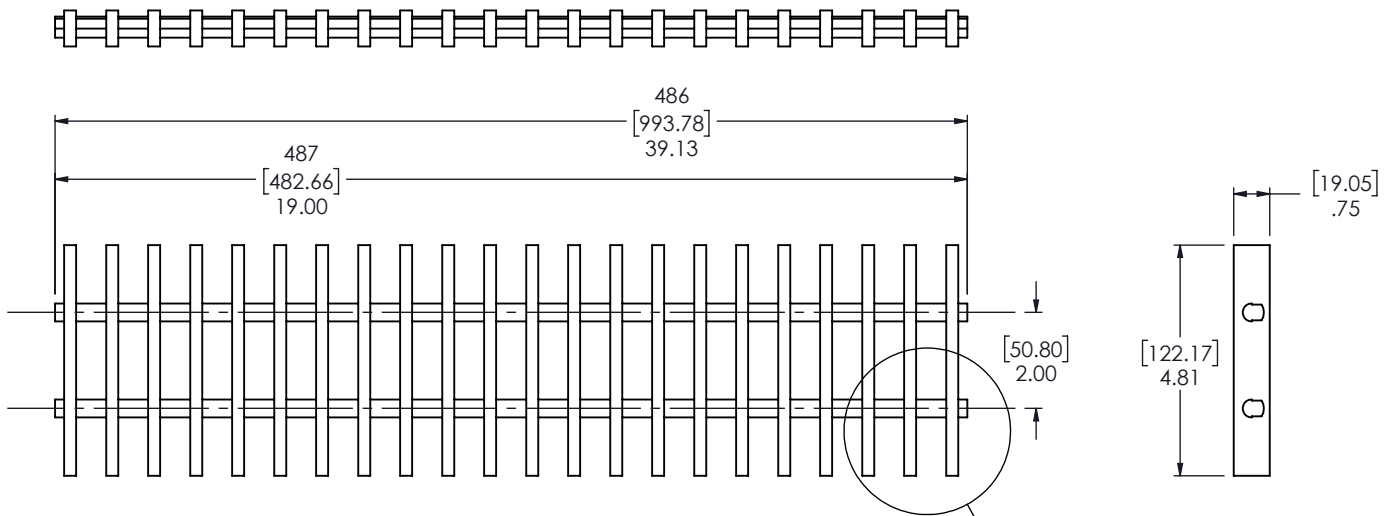
486 GRATE FRP VINYLESTER 0.88" BAR SPACING CLASS B



| PART NO. | MATERIAL | WEIGHT | OPEN AREA | FLOW RATE |
|----------|---|-----------|-----------|--|
| 486 | (FRP) FIBER REINFORCED POLYMER WITH VINYL ESTER RESIN | 1.94 LBS. | 60% | 117.46 (GPM PER LINEAR FOOT WITH 1/2" OF HEAD) |
| 487 | | 4.00 LBS. | | |

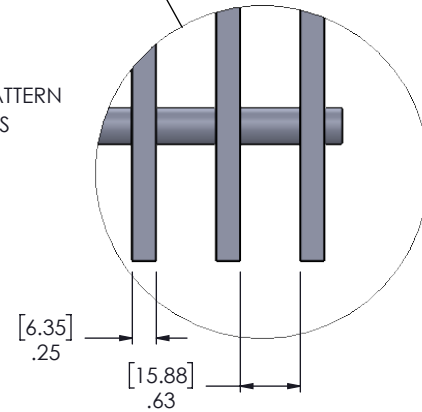
DIN APPLICATION LOAD CLASS B: SIDEWALKS, PARKING LOTS AND CAR PARKING DECKS. DESIGNED FOR A DISTRIBUTED PRESSURE OF 28,100 LBS. (125KN)

MEETS THE FOLLOWING STANDARDS & SPECIFICATION: DIN 19580 / DIN EN 1433 DRAINAGE CHANNELS FOR VEHICULAR AND PEDESTRAIN AREAS.



| SYSTEM MFG | SYSTEM | LOCKING DEVICE |
|------------|-------------------|----------------|
| ULMA | U100K & U100KX | LD100X-5 |
| | U100K CATCH BASIN | LD100X-5CB |
| | M100K & M100KX | NONE AVAILABLE |
| | M100V | NONE AVAILABLE |
| | HYDROPLUS | LD100X-5 |
| | HYDROPLUS MINI | NONE AVAILABLE |
| | D100 | LD100X-5 |

GRATE PATTERN OPENINGS



DISCLAIMER - The customer and the customer's architects, engineers, consultants and other professionals are completely responsible for the selection, installation and maintenance of any product purchased from Trench Drain Systems and/or its manufacturers. TRENCH DRAIN SYSTEMS MAKES NO WARRANTY, EXPRESS OR IMPLIED, AS TO THE SUITABILITY, DESIGN, MERCHANTABILITY, OR FITNESS OF THE PRODUCT FOR CUSTOMERS APPLICATION. The drawing and information provided remain the property and copyright of the manufacturer listed. The manufacturer reserves the right to modify specification without notice.