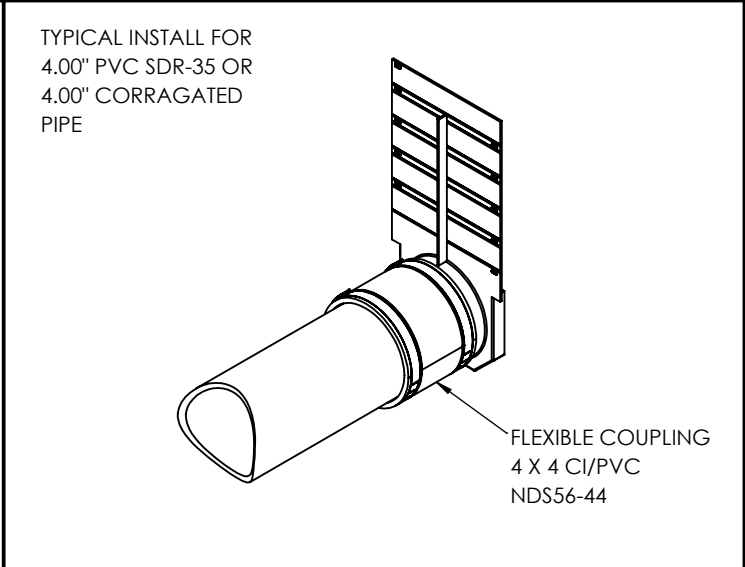
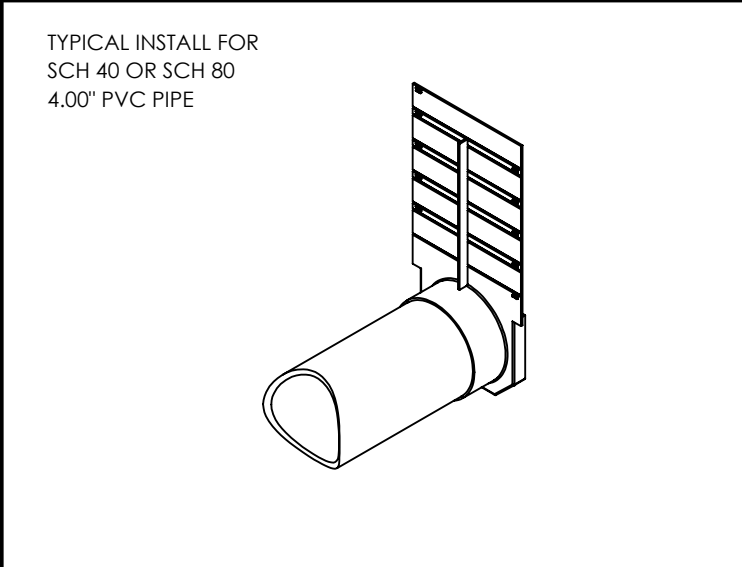
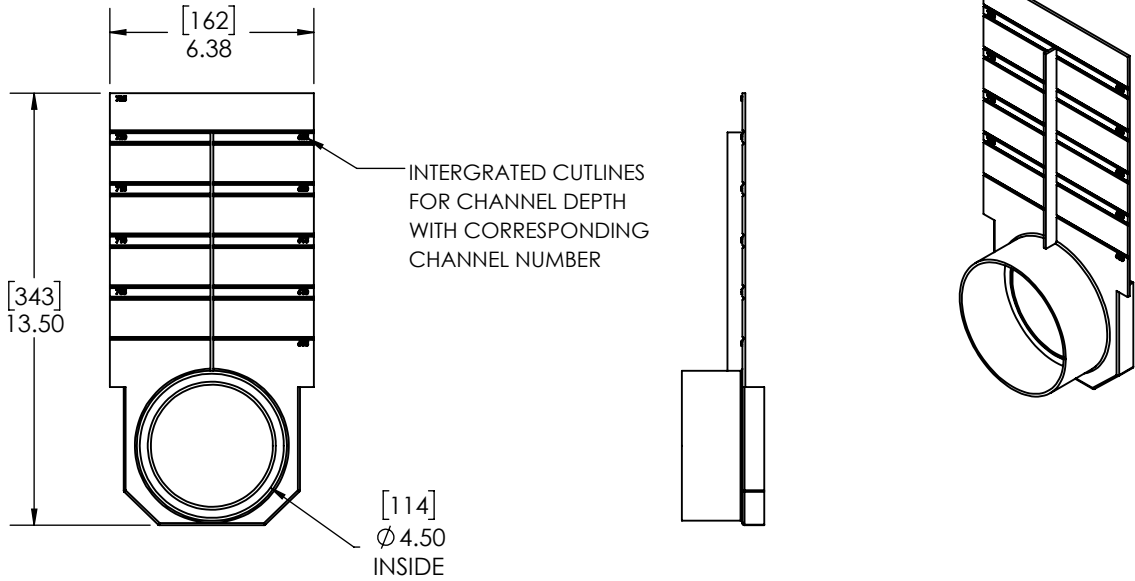


DA0670	POLYCAST 600 & 700 END CAP - OUTLET
--------	-------------------------------------



**MANUFACTURER**

**POLYCAST®**

DISCLAIMER - The customer and the customer's architects, engineers, consultants, and other professionals are completely responsible for the selection installation and maintenance of any product purchased from Trench Drain Systems and/or its manufacturers. TRENCH DRAIN SYSTEMS MAKES NO WARRANTY, EXPRESS OR IMPLIED, AS TO THE SUITABILITY, DESIGN, MERCHANTABILITY, OR FITNESS OF THE PRODUCT FOR CUSTOMERS APPLICATION. The drawing and information provided remain the property and copyright of the manufacturer listed. The manufacturer reserves the right to modify specification without notice.

**ENGINEERING SPECIFICATION**

POLYCAST DA0670 ENDCAP IS USED TO ENCLOSE OR PROVIDE PIPING TRANSITIONS TO THE OUTLET END OF THE CHANNEL WHENEVER CATCH BASINS ARE NOT BEING USED. END CAP OUTPUT TO 4" PIPE. MATERIAL IS ABS PLASTIC