



610-638-1221  
 sales@trenchdrain.com  
 PO BOX 377 - FREMONT, OH 43420

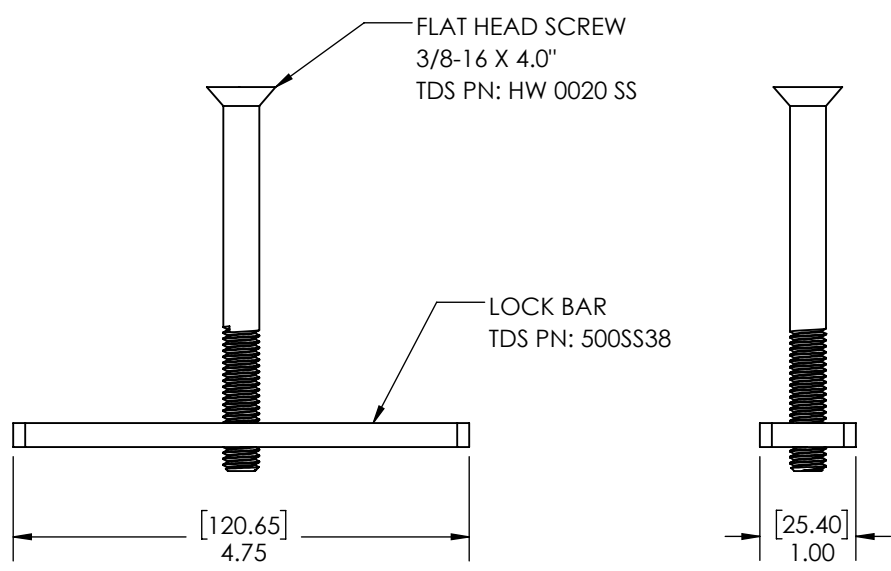
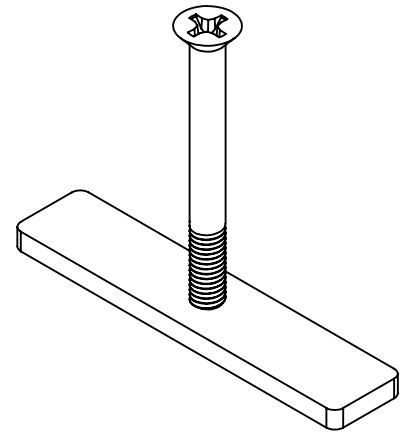
PROJECT ID: \_\_\_\_\_  
 CONTRACT NO: \_\_\_\_\_

LOCATION: \_\_\_\_\_

RELEASED: 5.15.21  
 REVISION: A

**DA0642SH**      **LOCKING DEVICE FOR POLYCAST 700 SERIES with STAINLESS STEEL GRATE**

GRATE TYPE	PART NO.		DIN LOAD CLASS WITH FRAME
	24.00"	48.00"	
STAINLESS STEEL SLOTTED - REINFORCED	DG0647RH	DG0647R	D
STAINLESS STEEL WEDGE WIRE - REINFORCED	DG0655RH	DG0655R	E
STAINLESS STEEL PERFORATED - REINFORCED	DG0657RH	DG0657R	D
HPDE SLOTTED	DG0670	N/A	C
HPDE SLOTTED - GRAY	DG0670G	N/A	C
HPDE TRANSVERSE SLOTTED	DG0675	N/A	C
HPDE TRANSVERSE SLOTTED - GRAY	DG0675G	N/A	C



**MANUFACTURER**

**POLYCAST™**

DISCLAIMER - The customer and the customer's architects, engineers, consultants, and other professionals are completely responsible for the selection installation and maintenance of any product purchased from Trench Drain Systems and/or its manufacturers. TRENCH DRAIN SYSTEMS MAKES NO WARRANTY, EXPRESS OR IMPLIED, AS TO THE SUITABILITY, DESIGN, MERCHANTABILITY, OR FITNESS OF THE PRODUCT FOR CUSTOMERS APPLICATION. The drawing and information provided remain the property and copyright of the manufacturer listed. The manufacturer reserves the right to modify specification without notice.

**ENGINEERING SPECIFICATION**

POLYCAST DA0642SH SERIES LOCKING DEVICES ARE TO BE USED WITH ALL GRATING SYSTEMS WHERE WHEEL TRAFFIC OCCURS. THIS IS NECESSARY TO PROVIDE SYSTEM INTEGRITY. USED ON POLYCAST 600 SERIES SYSTEM WITH FRAME AND STAINLESS OR HDPE GRATE.