



610-638-1221  
 sales@trenchdrain.com  
 PO BOX 377 - FREMONT, OH 43420

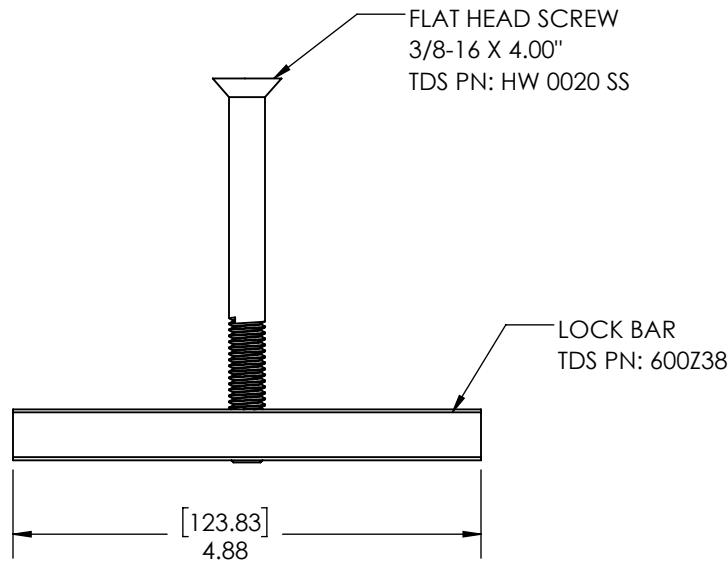
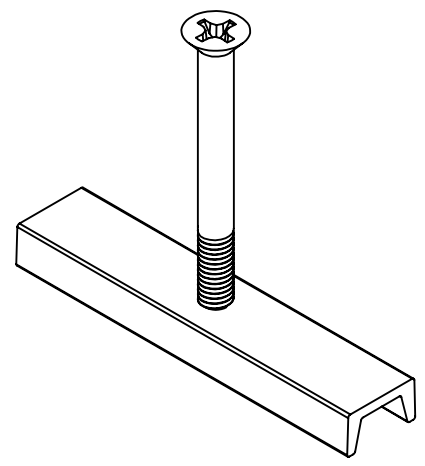
PROJECT ID: \_\_\_\_\_  
 CONTRACT NO: \_\_\_\_\_

LOCATION: \_\_\_\_\_

RELEASED: 5.15.21  
 REVISION: A

DA0642H LOCKING DEVICE FOR POLYCAST 700 SERIES with GALVANIZED GRATE

GRATE TYPE	PART NO.		DIN LOAD CLASS WITH FRAME
	24.00"	48.00"	
GALVANIZED STEEL SLOTTED REINFORCED	DG0640RH	DG0640R	D
GALVANIZED STEEL PERFORATED REINFORCED	DG0646RH	DG0646R	D



**MANUFACTURER**



DISCLAIMER - The customer and the customer's architects, engineers, consultants, and other professionals are completely responsible for the selection installation and maintenance of any product purchased from Trench Drain Systems and/or its manufacturers. TRENCH DRAIN SYSTEMS MAKES NO WARRANTY, EXPRESS OR IMPLIED, AS TO THE SUITABILITY, DESIGN, MERCHANTABILITY, OR FITNESS OF THE PRODUCT FOR CUSTOMERS APPLICATION. The drawing and information provided remain the property and copyright of the manufacturer listed. The manufacturer reserves the right to modify specification without notice.

**ENGINEERING SPECIFICATION**

POLYCAST DA0642H SERIES LOCKING DEVICES ARE TO BE USED WITH ALL GRATING SYSTEMS WHERE WHEEL TRAFFIC OCCURS. THIS IS NECESSARY TO PROVIDE SYSTEM INTEGRITY. USED ON POLYCAST 600 SERIES SYSTEM WITH FRAME AND GALVANIZED GRATE.