



610-638-1221
 sales@trenchdrain.com
 PO BOX 377 - FREMONT, OH 43420

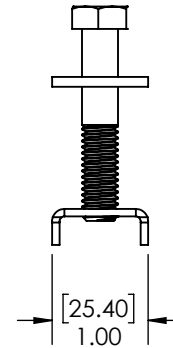
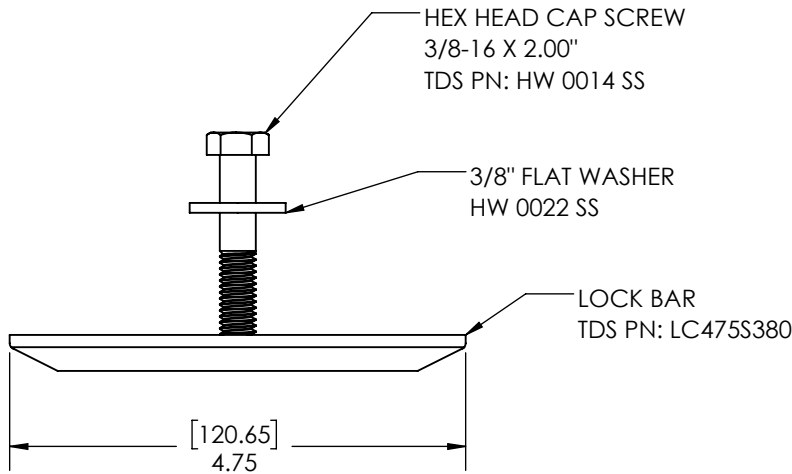
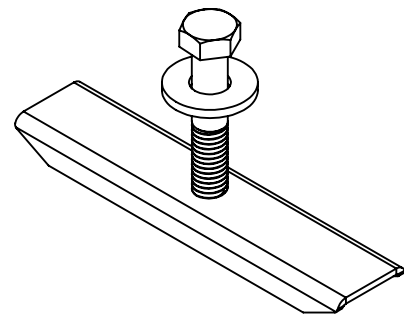
PROJECT ID: _____
 CONTRACT NO: _____

LOCATION: _____

RELEASED: 5.15.21
 REVISION: A

DA0642BS	LOCKING DEVICE FOR POLYCAST 600 SERIES with STAINLESS BAR GRATE
----------	---

GRATE TYPE	PART NO.		DIN LOAD CLASS
	24.00"	24.00"	
STAINLESS STEEL BAR GRATE	DG0669	DG0669	D



MANUFACTURER



DISCLAIMER - The customer and the customer's architects, engineers, consultants, and other professionals are completely responsible for the selection installation and maintenance of any product purchased from Trench Drain Systems and/or its manufacturers. TRENCH DRAIN SYSTEMS MAKES NO WARRANTY, EXPRESS OR IMPLIED, AS TO THE SUITABILITY, DESIGN, MERCHANTABILITY, OR FITNESS OF THE PRODUCT FOR CUSTOMERS APPLICATION. The drawing and information provided remain the property and copyright of the manufacturer listed. The manufacturer reserves the right to modify specification without notice.

ENGINEERING SPECIFICATION

POLYCAST DA0642BS SERIES LOCKING DEVICES ARE TO BE USED WITH ALL GRATING SYSTEMS WHERE WHEEL TRAFFIC OCCURS. THIS IS NECESSARY TO PROVIDE SYSTEM INTEGRITY. USED ON POLYCAST 600 SERIES SYSTEM WITH STAINLESS BAR GRATE.