



610-638-1221  
 sales@trenchdrain.com  
 PO BOX 377 - FREMONT, OH 43420

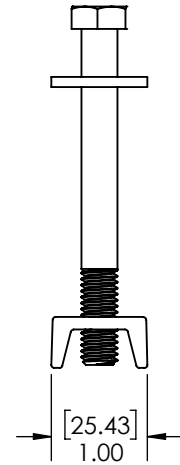
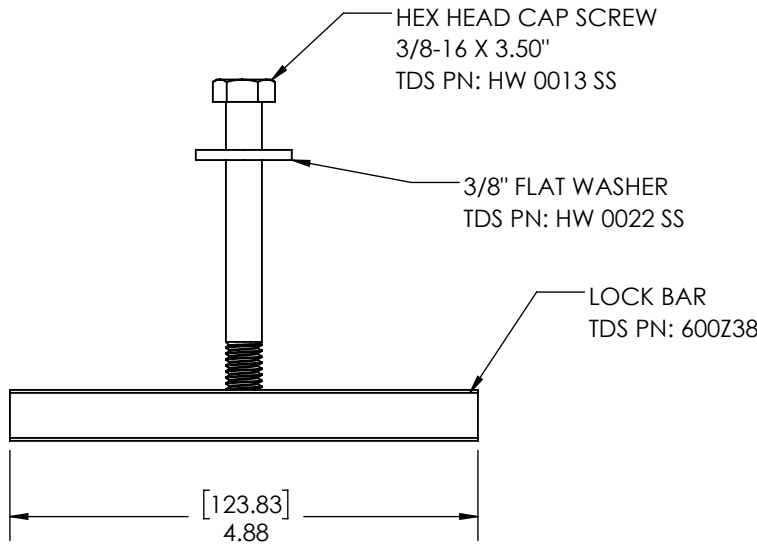
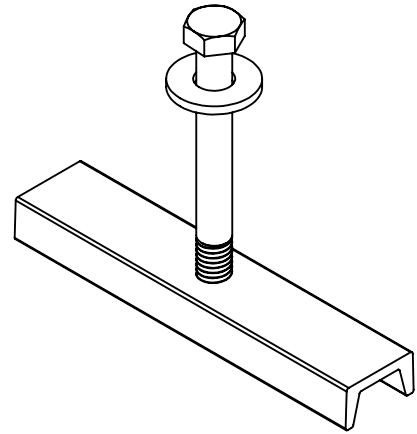
PROJECT ID: \_\_\_\_\_  
 CONTRACT NO: \_\_\_\_\_

LOCATION: \_\_\_\_\_

RELEASED: 5.15.21  
 REVISION: A

DA0642BH	LOCKING DEVICE FOR POLYCAST 700 SERIES with DUCTILE IRON GRATE
----------	--

GRATE TYPE	PART NO.	DIN LOAD CLASS WITH FRAME	
		DG0700AA	DG0700PE
DUCTILE IRON SLOTTED	DG0641D	E	E
DUCTILE IRON SOLID (ADA COMPLIANT)	DG0641S	F	E
DUCTILE IRON LONGITUDINAL SLOTTED (ADA COMPLIANT)	DG0675HD	E	E
DUCTILE IRON PATRIOT	DG0692	D	D



**MANUFACTURER**



DISCLAIMER - The customer and the customer's architects, engineers, consultants, and other professionals are completely responsible for the selection installation and maintenance of any product purchased from Trench Drain Systems and/or its manufacturers. TRENCH DRAIN SYSTEMS MAKES NO WARRANTY, EXPRESS OR IMPLIED, AS TO THE SUITABILITY, DESIGN, MERCHANTABILITY, OR FITNESS OF THE PRODUCT FOR CUSTOMERS APPLICATION. The drawing and information provided remain the property and copyright of the manufacturer listed. The manufacturer reserves the right to modify specification without notice.

**ENGINEERING SPECIFICATION**

POLYCAST DA0642BH SERIES LOCKING DEVICES ARE TO BE USED WITH ALL GRATING SYSTEMS WHERE WHEEL TRAFFIC OCCURS. THIS IS NECESSARY TO PROVIDE SYSTEM INTEGRITY. USED ON POLYCAST 600 SERIES SYSTEM WITH FRAME AND DUCTILE IRON GRATE.