



610-638-1221  
 sales@trenchdrain.com  
 PO BOX 377 - FREMONT, OH 43420

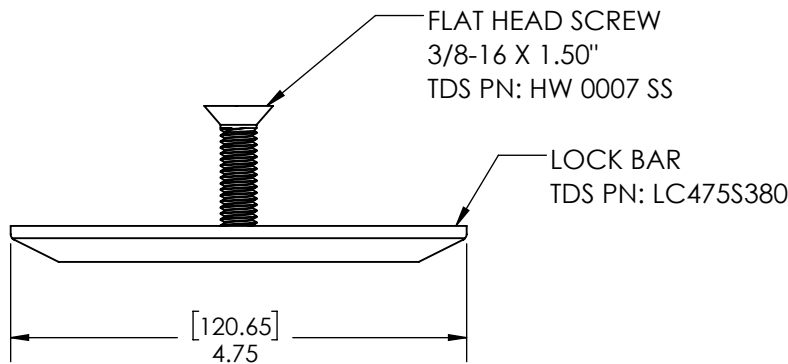
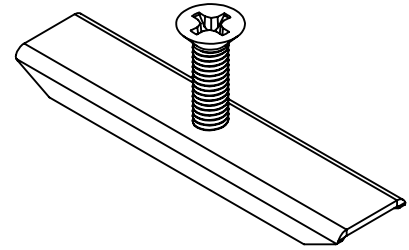
PROJECT ID: \_\_\_\_\_  
 CONTRACT NO: \_\_\_\_\_

LOCATION: \_\_\_\_\_

RELEASED: 5.15.21  
 REVISION: A

DA0542S LOCKING DEVICE FOR POLYCAST 500 SERIES W/STAINLESS OR HDPE GRATES

GRATE TYPE	PART NO.		DIN LOAD CLASS
	24.00"	48.00"	
STAINLESS STEEL SLOTTED	DG0647H	DG0647	B
STAINLESS STEEL WEDGE WIRE	DG0655H	DG0655	B
STAINLESS STEEL PERFORATED	DG0657H	DG0657	A
STAINLESS STEEL COVER - SOLID	DG0667H	DG0667	A
HPDE SLOTTED	DG0670	N/A	B
HPDE SLOTTED - GRAY	DG0670G	N/A	B
HPDE TRANSVERSE SLOTTED	DG0675	N/A	B
HPDE TRANSVERSE SLOTTED - GRAY	DG0675G	N/A	B



MANUFACTURER



DISCLAIMER - The customer and the customer's architects, engineers, consultants, and other professionals are completely responsible for the selection installation and maintenance of any product purchased from Trench Drain Systems and/or its manufacturers. TRENCH DRAIN SYSTEMS MAKES NO WARRANTY, EXPRESS OR IMPLIED, AS TO THE SUITABILITY, DESIGN, MERCHANTABILITY, OR FITNESS OF THE PRODUCT FOR CUSTOMERS APPLICATION. The drawing and information provided remain the property and copyright of the manufacturer listed. The manufacturer reserves the right to modify specification without notice.

ENGINEERING SPECIFICATION

POLYCAST DA0542S SERIES LOCKING DEVICES ARE TO BE USED WITH ALL GRATING SYSTEMS WHERE WHEEL TRAFFIC OCCURS. THIS IS NECESSARY TO PROVIDE SYSTEM INTEGRITY. USED ON POLYCAST 500 SERIES SYSTEM WITH GRATE.