



610-638-1221
 sales@trenchdrain.com
 PO BOX 377 - FREMONT, OH 43420

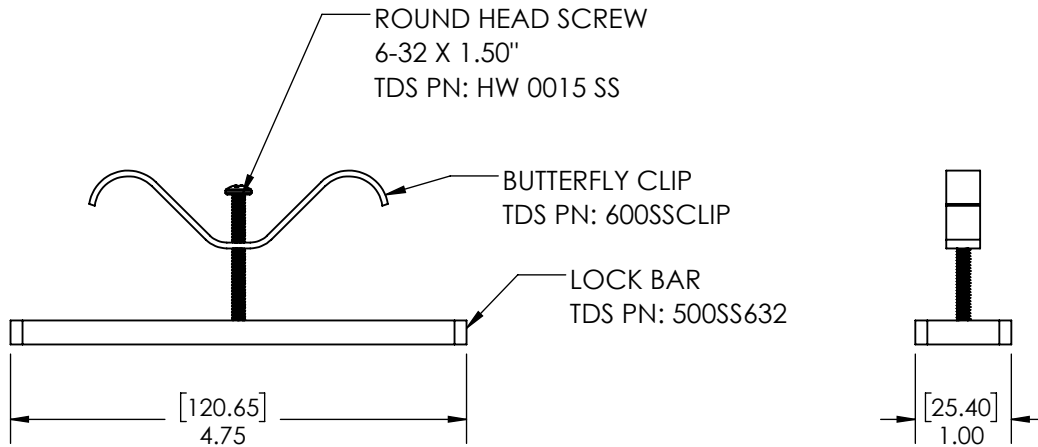
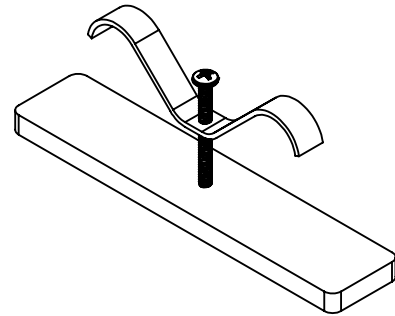
PROJECT ID: _____
 CONTRACT NO: _____

LOCATION: _____

RELEASED: 5.15.21
 REVISION: A

DA0542FH LOCKING DEVICE FOR POLYCAST 500 SERIES W/FRAME AND FIBERGLASS GRATE

GRATE TYPE	PART NO.		DIN LOAD CLASS WITH FRAME
	24.00"	48.00"	
FIBERGLASS VE BAR 5/8" SPACING	DG0644H	DG0644	D
FIBERGLASS VE BAR 3/8" SPACING	DG0644SPH	DG0644SP	D



MANUFACTURER



DISCLAIMER - The customer and the customer's architects, engineers, consultants, and other professionals are completely responsible for the selection installation and maintenance of any product purchased from Trench Drain Systems and/or its manufacturers. TRENCH DRAIN SYSTEMS MAKES NO WARRANTY, EXPRESS OR IMPLIED, AS TO THE SUITABILITY, DESIGN, MERCHANTABILITY, OR FITNESS OF THE PRODUCT FOR CUSTOMERS APPLICATION. The drawing and information provided remain the property and copyright of the manufacturer listed. The manufacturer reserves the right to modify specification without notice.

ENGINEERING SPECIFICATION

POLYCAST DA0542FH SERIES LOCKING DEVICES ARE TO BE USED WITH ALL GRATING SYSTEMS WHERE WHEEL TRAFFIC OCCURS. THIS IS NECESSARY TO PROVIDE SYSTEM INTEGRITY. USED ON POLYCAST 500 SERIES SYSTEM WITH FRAME AND FIBERGLASS GRATE.