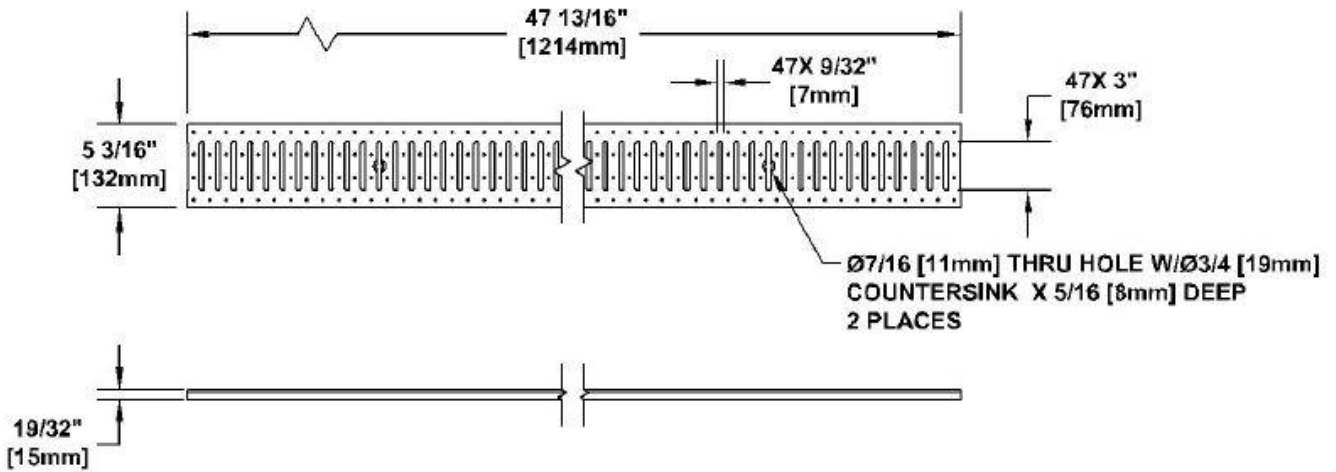
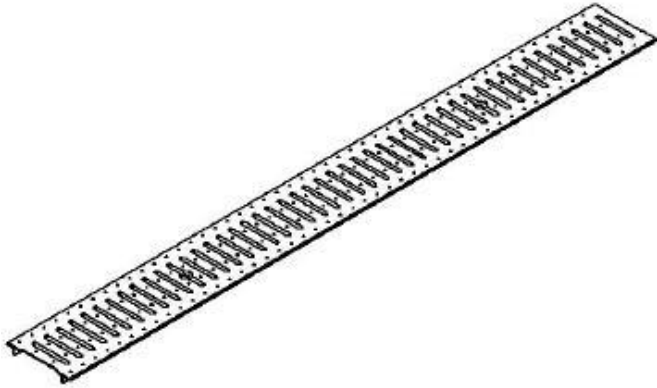


<p>Number</p> <p style="text-align: center;">DG0442</p>	<p>Series</p> <p style="text-align: center;">TPC400 A Class Galvanized Slotted Grate Polycast 400</p>
---	---



Manufacturer



Specification

POLYCAST DG0442 IS APPROPRIATE FOR MANY GENERAL USE CONDITIONS. GRATE LOCKING DEVICE PART NO DA0642 SHOULD BE USED AND MAINTAINED SECURE. THE GRATE HAS 20% (41IN²) OF OPEN AREA. THE GRATE IS MADE OF HOT DIPPED GALVANIZED 14 GAUGE ASTM A36 STEEL AND WEIGHS APPROXIMATELY 12LBS. MEETS LOAD CLASS A.

DISCLAIMER - The customer and the customer's architects, engineers, consultants, and other professionals are completely responsible for the selection installation and maintenance of any product purchased from Trench Drain Supply and/or its manufacturers. TRENCH DRAIN SUPPLY MAKES NO WARRANTY, EXPRESS OR IMPLIED, AS TO THE SUITABILITY, DESIGN, MERCHANTABILITY, OR FITNESS OF THE PRODUCT FOR CUSTOMERS APPLICATION. The drawing and information provided remain the property and copyright of the manufacturer listed. The manufacturer reserves the right to modify specification without notice.