



DG0670

600 Series

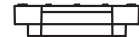
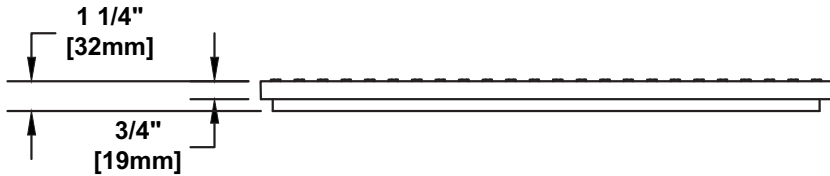
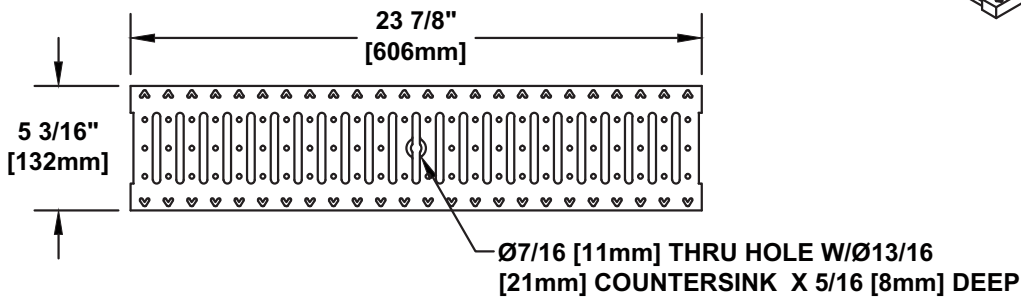
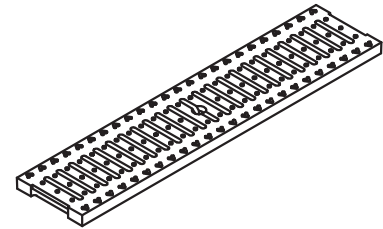
DURAGUARD® Slotted

PROJECT ID/ CONTRACT NO: _____

LOCATION: _____

ENGINEERING SPECIFICATION:

POLYCAST® DG0670 Grate is a high density polyethylene slotted grate appropriate for corrosive applications or where sanitary conditions are necessary. Provides excellent chemical resistance and durability. Polyethylene construction helps protect bare feet. Grating locking device Part No. DA0642 (not shown) should be used and maintained secure. The grate has 18% (18 in²) of open area. The grate weighs approximately 4lbs [1.81kg] and is only available in 24" [610mm] length.



DIN APPLICATION LOAD CLASS A:
Residential, pedestrian and cyclist traffic
Designed for a distributed pressure of 3,372 lbs (15 kN).

Meets the following Standards & Specifications:

- DIN 19580 / DIN EN 1433 Drainage Channels for Vehicular and Pedestrian Areas
- Australian Standard AS 3996-2006 Clause 3.3.6



www.polycastdrain.com
Toll Free Number:
1-800-346-3062