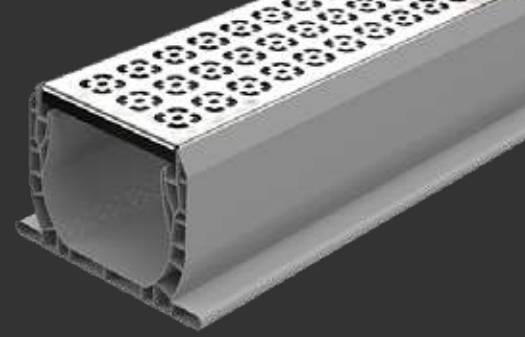


# Spee-D Channel™

Trench Drain System  
by NDS



Excellent for light duty applications, including residential pools, concrete and paver patios, spas and tennis courts.

Channels made of PVC can be cut to any length and solvent-welded like PVC pipe

Durable polyolefin parts are lightweight and easy to install

Connects easily to sewer and drain pipe and fittings or SCH 40 pipe and fittings

Wide variety of grating options available

Component parts snap together easily for a speedy installation

Flanged bottom provides anchoring lip for straight installation and prevents floating

Concrete is not required in landscaping, non-vehicle situations

45°, 90° elbows and Tees open up interesting design options

End or bottom outlet options

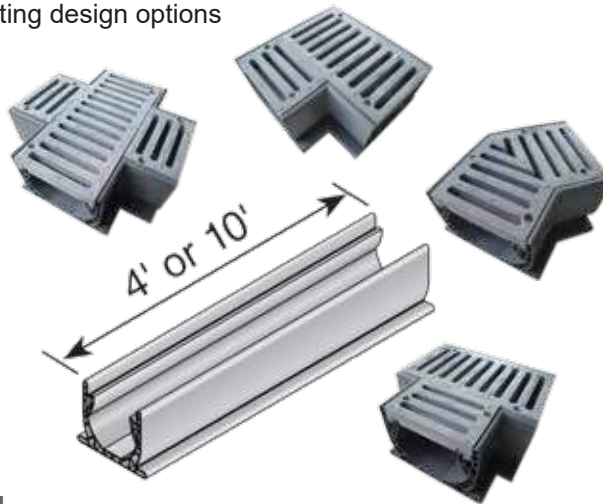
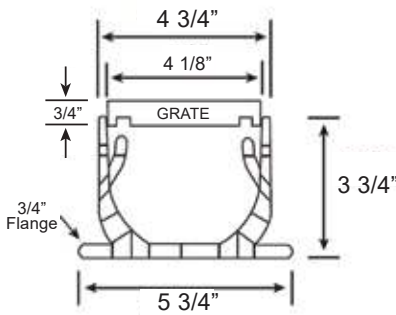
Accessories include couplers, end cap, 2" end outlet, 3" & 4" bottom outlet plus these additional options:



NDS-245  
Strainer Coupler



NDS-249  
3" & 4" Offset  
End Outlet

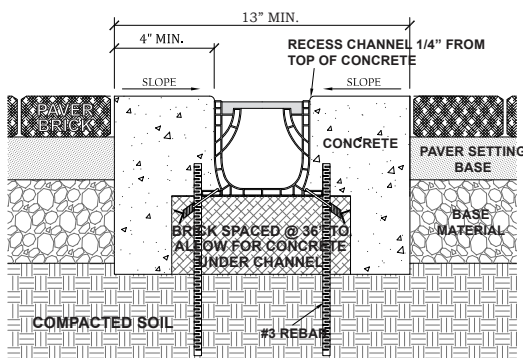


## INSTALLATION

### Paver Brick Suspension Method

NDS Spee-D Channel has a greater surface area for drainage than the micro and mini channels. Both decorative and standard grate options make Spee-D Channel an ideal choice for drainage on paver parking courts, patios and plazas.

### LIGHT VEHICULAR TRAFFIC INSTALLATION



### GRATING OPTIONS

Plastic slotted grates are available in 6 colors. Decorative grating is also available in plastic and cast iron. Heelproof stainless steel and galvanized steel. Marine grade stainless steel available as a custom request.

