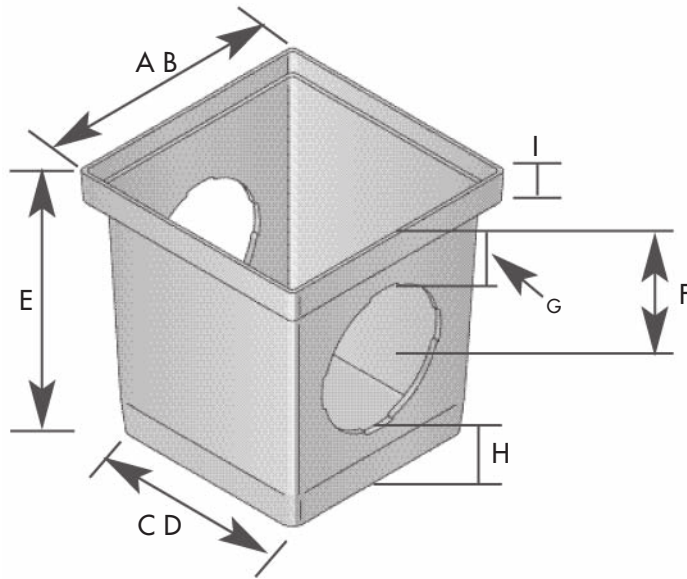


NDS 9" 12" 18" 24" Catch Basins



Dimension Key

- A Top Width
- B Top Length
- C Bottom Width
- D Bottom Length
- E Height
- F Center of Flow from top of Box
- G Top of opening to top of box
- H Bottom of opening to bottom of box
- I Height of grating shelf
- J Length of Spigot
- K Weight

	A	B	C	D	E	F	G	H	I	J	K
Part Number											
900	9 3/8	9 3/8	8 1/8	8 1/8	10 1/8	5 9/16	2 5/16	1 1/16	1 1/8		3
900-4	9 3/8	9 3/8	8 1/8	8 1/8	10 1/8	5 9/16	2 5/16	1 1/16	1 1/8		2
1200	12 3/8	12 3/8	10 1/8	10 1/8	12 15/16	7 3/8	3 3/4	2 3/8	1 1/8		4.25
1203	12 3/8	12 3/8	10 1/8	10 1/8	12 15/16	7 3/8	3 3/4	2 3/8	1 1/8		3.75
1204	12 3/8	12 3/8	10 1/8	10 1/8	12 15/16	7 3/8	3 3/4	2 3/8	1 1/8		3.75
1882	17 11/16	17 11/16	13	13	18 9/16	11 1/4	8 1/8	1 13/16	1		10
1884	17 11/16	17 11/16	13	13	18 9/16	11 1/4	8 1/8	1 13/16	1		9.5
2400	24 3/4	24 3/4	19.6	19 3/5	24	14 1/2	4 3/8	1 5/8	2		18
2404	24 3/4	24 3/4	19.6	19 3/5	24	14 1/2	4 3/8	1 5/8	2		15

