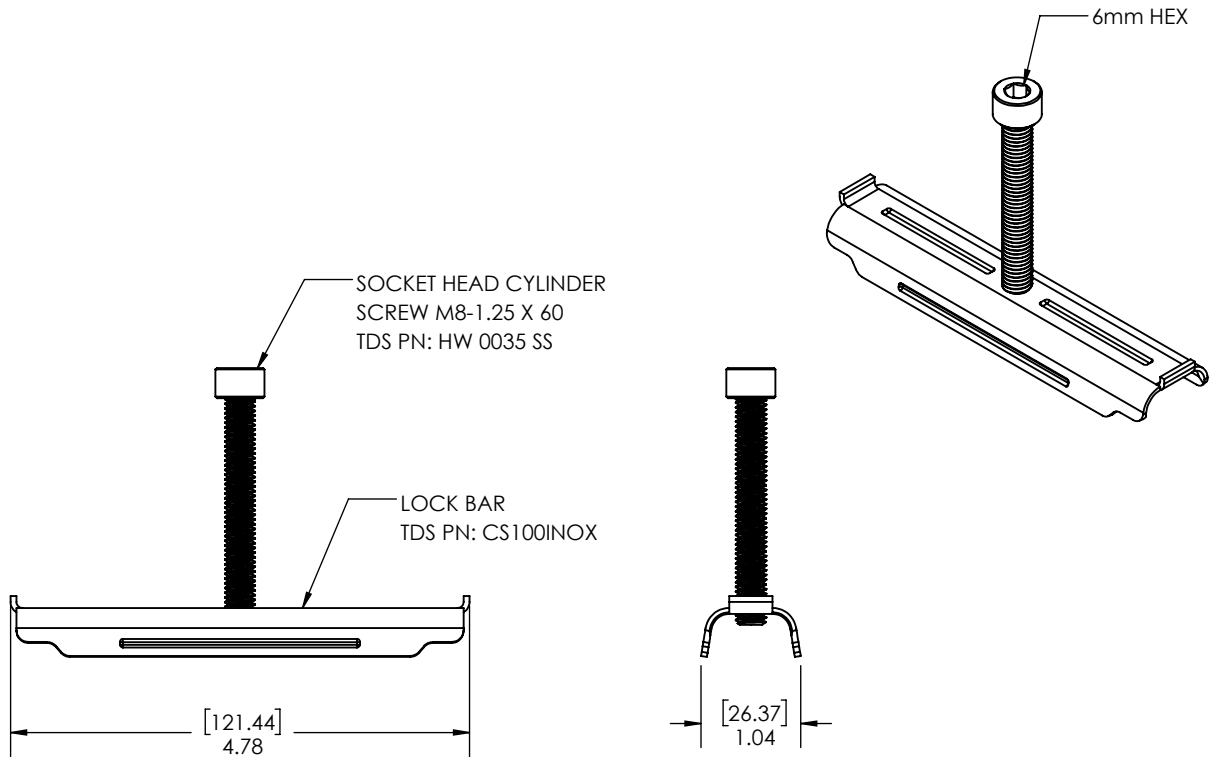


LD100X-1	LOCKING DEVICE FOR ULMA U100, D100 & HYDROPLUS w/STEEL MESH GRATE		
----------	---	--	--

GRATE TYPE	PART NO.		EN-1433 LOAD CLASS
	0.5M	1M	
STAINLESS STEEL MESH	433 (IEX100KCBM)	432 (IEX100KCB)	B125
STAINLESS WEDGE WIRE	437	436	B125
STAINLESS WEDGE WIRE REINFORCED	439	438	D400
HDPE SLOTTED - BLACK	494 (PNH100KCAM)	NA	A15
HDPE SLOTTED - GRAY	495 (PNH100KCAM)	NA	A15
HDPE MESH	497 (PE100KCBM)	NA	B125
GALVANIZED STEEL MESH	403 (GEX100KCBM)	402 (GEX100KCB)	B125
GALVANIZED STEEL MESH HEEL-PROOF	407 (GEHX100KCBM)	406 (GEHX100KCB)	B125



MANUFACTURER



DISCLAIMER - The customer and the customer's architects, engineers, consultants, and other professionals are completely responsible for the selection installation and maintenance of any product purchased from Trench Drain Systems and/or its manufacturers. TRENCH DRAIN SYSTEMS MAKES NO WARRANTY, EXPRESS OR IMPLIED, AS TO THE SUITABILITY, DESIGN, MERCHANTABILITY, OR FITNESS OF THE PRODUCT FOR CUSTOMERS APPLICATION. The drawing and information provided remain the property and copyright of the manufacturer listed. The manufacturer reserves the right to modify specification without notice.

ENGINEERING SPECIFICATION

ULMA LD100X-1 SERIES LOCKING DEVICES ARE TO BE USED WITH ALL GRATING SYSTEMS WHERE WHEEL TRAFFIC OCCURS. THIS IS NECESSARY TO PROVIDE SYSTEM INTEGRITY. USED ON ULMA U100, D100 AND HYDROPLUS SYSTEMS.