



**610-638-1221**  
**sales@trenchdrain.com**  
 PO BOX 377 - FREMONT, OH 43420

PROJECT ID: \_\_\_\_\_  
 CONTRACT NO: \_\_\_\_\_

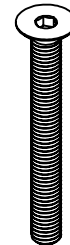
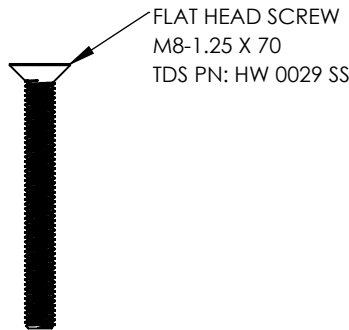
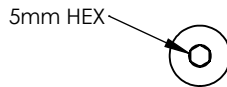
LOCATION: \_\_\_\_\_

RELEASED: 12.4.20  
 REVISION: C

<b>LD100MX-2</b>	LOCKING DEVICE FOR ULMA M SERIES w/STAINLESS or GALVANIZED STEEL GRATE
------------------	--

GRATE TYPE	PART NO.		EN-1433 LOAD CLASS
	0.5M	1M	
STAINLESS STEEL PERFORATED	441 (IP100KCAM)	440 (IP100KCA)	A15
STAINLESS STEEL SLOTTED	451 (IN100KCAM)	450 (IN100KCA)	A15
STAINLESS STEEL SLOTTED REINFORCED	455 (IN100KCCM)	454 (IN100KCC)	C250
GALVANIZED STEEL PERFORATED WITH TREAD	N/A	410 (GP100KCA)	A15
GALVANIZED STEEL SLOTTED	421 (GN100KCAM)	420 (GN100KCA)	A15
GALVANIZED STEEL SLOTTED REINFORCED	425 (GN100KCCM)	424 (GN100KCC)	C250

GRATE TYPE	FINISH (ALL GRATES ARE 0.5M)		EN-1433 LOAD CLASS
	NATURAL	BAKED ON OIL	
IRONAGE - DYNAMO - DYAS-20I21	IA-DYN-0520	IA-DYN-0520-BF	B
IRONAGE - INTERLAKEN - IA5-20I21	IA-INTER-0520	IA-INTER-0520-BF	B
IRONAGE - JOE - RJAS-20I21	IA-JOE-0520	IA-JOE-0520-BF	B
IRONAGE - RAIN HEEL PROOF - RNA5-19I21HP	IA-RAIN-0520-HP	IA-QUE-0520-HP-BF	B



**MANUFACTURER**



DISCLAIMER - The customer and the customer's architects, engineers, consultants, and other professionals are completely responsible for the selection installation and maintenance of any product purchased from Trench Drain Systems and/or its manufacturers. TRENCH DRAIN SYSTEMS MAKES NO WARRANTY, EXPRESS OR IMPLIED, AS TO THE SUITABILITY, DESIGN, MERCHANTABILITY, OR FITNESS OF THE PRODUCT FOR CUSTOMERS APPLICATION. The drawing and information provided remain the property and copyright of the manufacturer listed. The manufacturer reserves the right to modify specification without notice.

**ENGINEERING SPECIFICATION**

ULMA LD100MX-2 SERIES LOCKING DEVICES ARE TO BE USED WITH ALL GRATING SYSTEMS WHERE WHEEL TRAFFIC OCCURS. THIS IS NECESSARY TO PROVIDE SYSTEM INTEGRITY. USED ON ULMA M SERIES SYSTEMS.