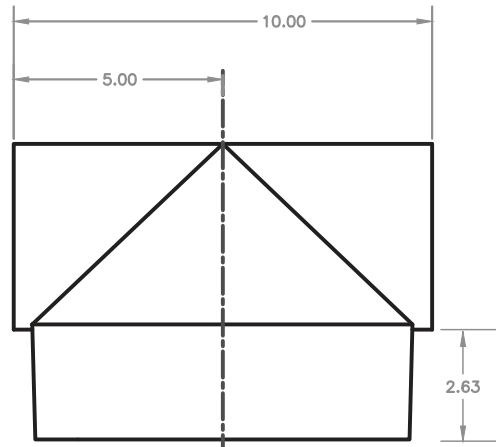
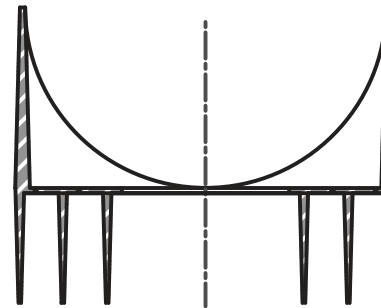


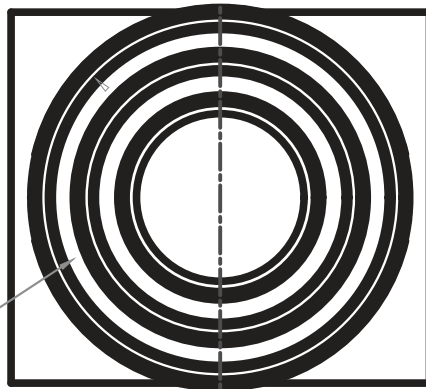
END VIEW



SIDE VIEW



END VIEW CUTAWAY



FITS 4", 6" & 8"
SCH 40 PIPE

BOTTOM VIEW

NOTES:

1. MATERIAL IS ABS PLASTIC

DIMENSIONS ARE IN INCHES OR MILLIMETERS IN BRACKETS UNLESS OTHERWISE NOTED.				
	BY	DATE	WEIGHT	1.7#
DRN	JRP	1/12/16		
CHK	JRP	1/12/16		
ENG				
APR				
SCALE	NOT TO SCALE			DRAWING DESCRIPTION
DRAWING NUMBER	DA3000S			
				<p>TRENCH DRAIN SYSTEMS™</p> <p>www.TrenchDrainSystems.com PO Box 377 • Fremont, OH 43420 (610) 638-1221</p> <p>BOTTOM SADDLE OUTLET FOR 3000 SERIES</p>



3000 SERIES
SERIOUS DRAINAGE • SERIOUS SOLUTIONS