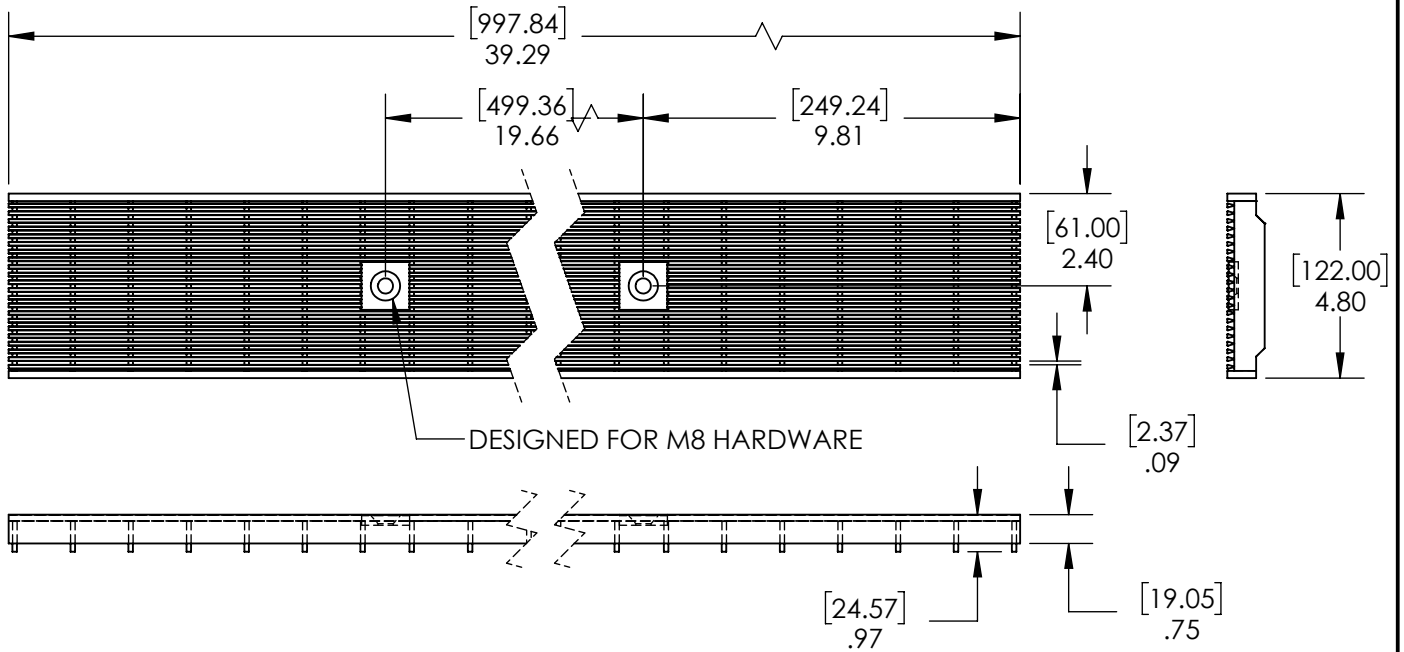
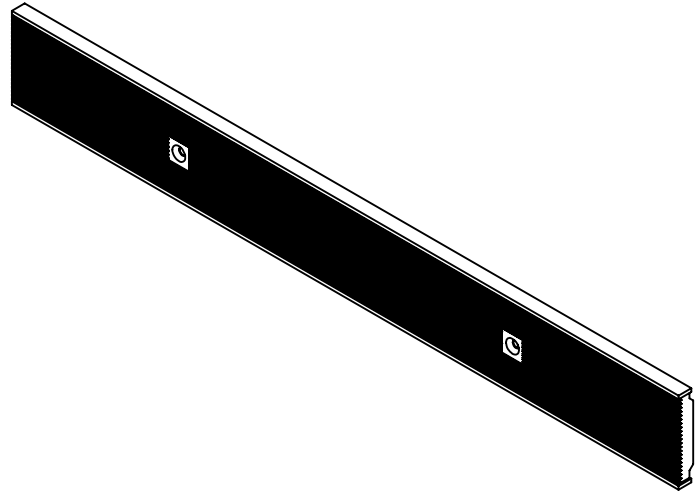


RELEASED 10.20.20

438	WEDGE WIRE 316L STAINLESS STEEL GRATE
-----	---------------------------------------

APPLICATION LOAD CLASS D400: MAIN ROAD, HIGHWAYS AND HIGH TRAFFIC AREAS SUCH AS PUBLIC CAR PARKS. ADA COMPLIANT FOR ACCESSIBLE ROUTES. MEETS ASTM C-857



SPECIFICATION

TDS WEDGE WIRE GRATES ARE DESIGNED FOR MAIN ROAD, HIGHWAYS AND HIGH TRAFFIC AREAS SUCH AS PUBLIC CAR PARKS. ADA COMPLIANT FOR ACCESSIBLE ROUTES. DESIGNED TO BE USED ON ULMA, MEARIN, ABT OR ACO TRENCH DRAIN SYSTEMS. LOCKING DEVICE PART NUMBER LD100MX-1 OR LD100X-1 MUST BE USED TO MAINTAIN LOAD RATING OF GRATE. THE GRATES ARE MADE OF 316L MARINE GRADE STAINLESS STEEL. GRATE MEETS LOAD CLASS D400.

DISCLAIMER - The customer and the customer's architects, engineers, consultants, and other professionals are completely responsible for the selection installation and maintenance of any product purchased from Trench Drain Systems and/or its manufacturers. TRENCH DRAIN SYSTEMS MAKES NO WARRANTY, EXPRESS OR IMPLIED, AS TO THE SUITABILITY, DESIGN, MERCHANTABILITY, OR FITNESS OF THE PRODUCT FOR CUSTOMERS APPLICATION. The drawing and information provided remain the property and copyright of the manufacturer listed. The manufacturer reserves the right to modify specification without notice.