

RELEASED: 4.7.23
 REVISION: C

436	TDS WEDGE WIRE 316L STAINLESS STEEL GRATE
-----	---

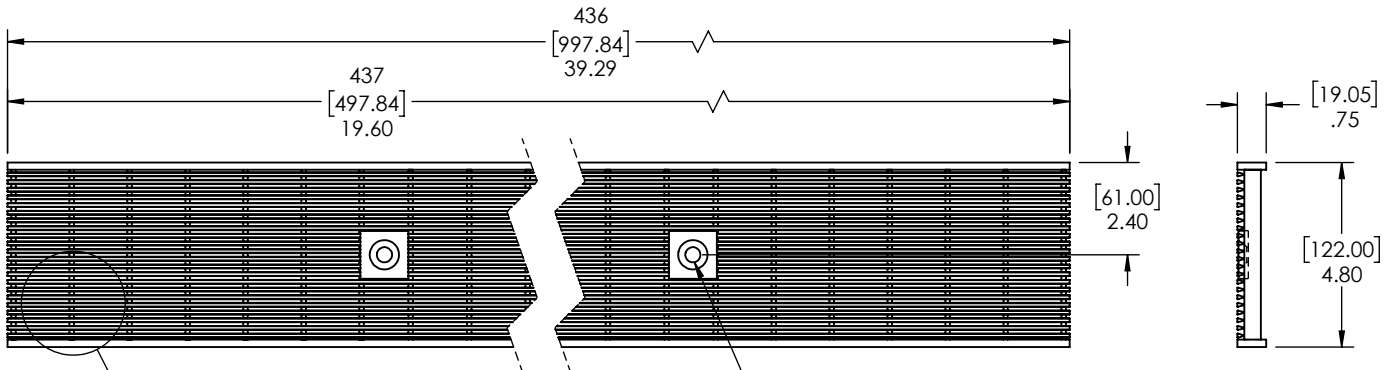


PART NO.	MATERIAL	WEIGHT	OPEN AREA	FLOW RATE
436	316L MARINE STAINLESS	10.0 LBS.	43%	86.29 GPM PER LINEAR FOOT WITH 1/2" OF HEAD
437		5.0 LBS.		

APPLICATION LOAD CLASS B125: SIDEWALKS, PARKING LOTS AND CAR PARKING DECKS. DESIGNED FOR A DISTRIBUTED PRESSURE OF 28,100 LBS. (125kN) ADA COMPLIANT FOR ACCESSIBLE ROUTES.

MEETS THE FOLLOWING STANDARDS AND SPECIFICATIONS:

- THE AMERICANS WITH DISABILITIES ACT OF 1990: 4.5.4
- ASME A112.6.3 SECTION 7.12 HEEL RESISTANT STRAINERS AND GRATES



LOCKING DEVICE (NOT INCLUDED)
 436 REQUIRE QTY 2 PER GRATE
 437 REQUIRE QTY 1 PER GRATE

SYSTEM MFG	SYSTEM	LOCKING DEVICE
ULMA	U100K & U100KX	LD100X-2
	U100K CATCH BASIN	LD100X-2CB
	M100K & M100KX	LD100MX-2
	M100V	LD100MX-2
	HYDROPLUS	LD100X-2
	HYDROPLUS MINI	LD100MX-2
	D100	LD100X-2

DISCLAIMER - The customer and the customer's architects, engineers, consultants, and other professionals are completely responsible for the selection installation and maintenance of any product purchased from Trench Drain Systems and/or its manufacturers. TRENCH DRAIN SYSTEMS MAKES NO WARRANTY, EXPRESS OR IMPLIED, AS TO THE SUITABILITY, DESIGN, MERCHANTABILITY, OR FITNESS OF THE PRODUCT FOR CUSTOMERS APPLICATION. The drawing and information provided remain the property and copyright of the manufacturer listed. The manufacturer reserves the right to modify specification without notice.