

4

3

2

1

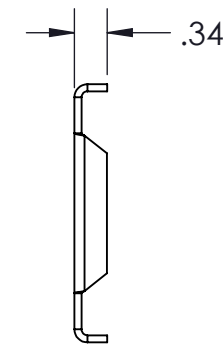
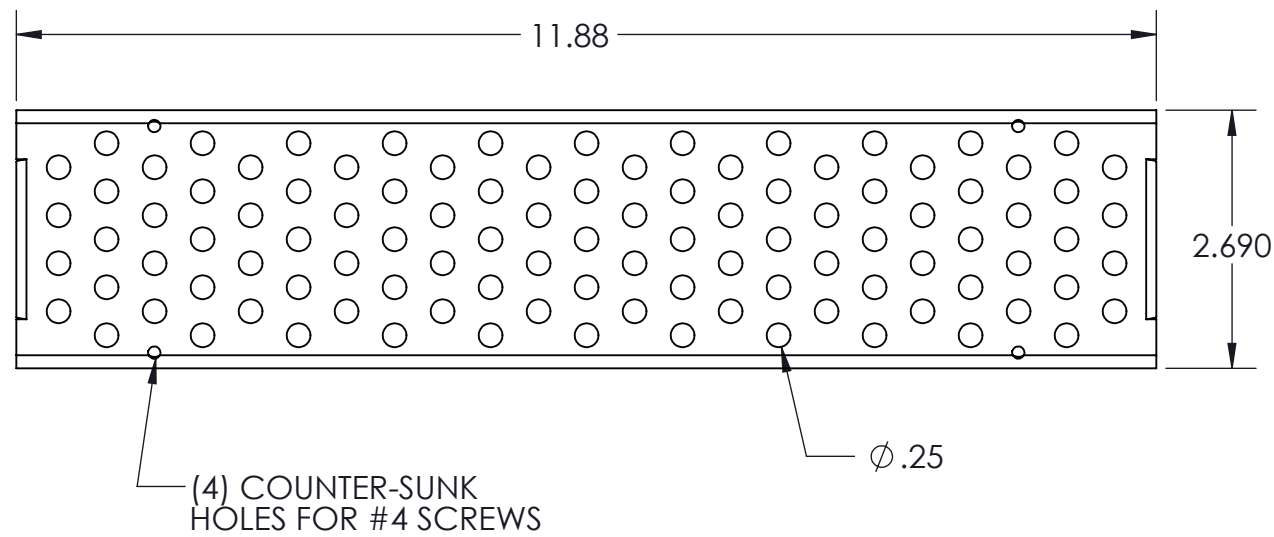
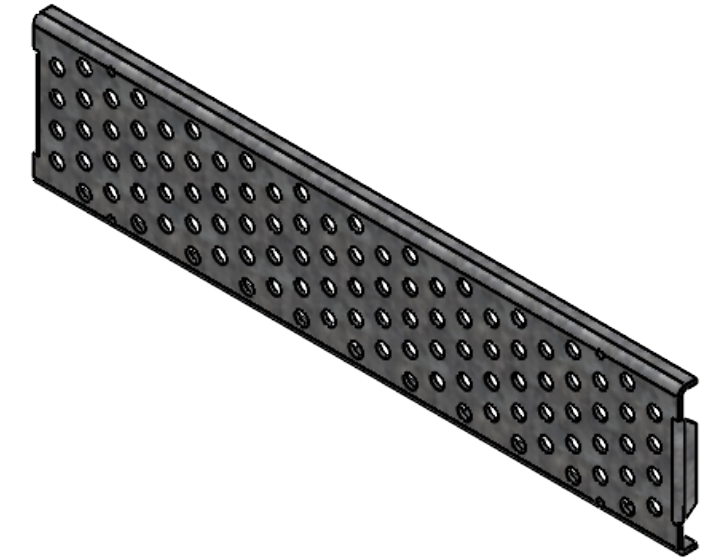
SPECIFICATIONS:

MATERIAL: 316L STAINLESS STEEL

LOAD RATING: DIN 19580 / EN 1433, CLASS B; LIGHT PNEUMATIC TIRE TRAFFIC ONLY.
SIDEWALKS AND RESIDENTIAL PARKING

DESIGN LOAD OF AT LEAST 28101 LBF [125kN]

DISCLAIMER - The customer and the customer's architects, engineers, consultants, and other professionals are completely responsible for the selection installation and maintenance of any product purchased from Trench Drain Systems and/or its manufacturers. TRENCH DRAIN SYSTEMS MAKES NO WARRANTY, EXPRESS OR IMPLIED, AS TO THE SUITABILITY, DESIGN, MERCHANTABILITY, OR FITNESS OF THE PRODUCT FOR CUSTOMERS APPLICATION. The drawing and information provided remain the property and copyright of the manufacturer listed. The manufacturer reserves the right to modify specification without notice.



PROPRIETARY AND CONFIDENTIAL
THE INFORMATION CONTAINED IN THIS DRAWING IS THE SOLE PROPERTY OF TRENCH DRAIN SYSTEMS. ANY REPRODUCTION IN PART OR AS A WHOLE WITHOUT THE WRITTEN PERMISSION OF TRENCH DRAIN SYSTEMS IS PROHIBITED.

		UNLESS OTHERWISE SPECIFIED:		DRAWN: CJP		DATE: 11.8.19	
		DIMENSIONS ARE IN INCHES		CHECKED: -			
		TOLERANCES:		DESCRIPTION:			
		ANGULAR: MACH ± BEND ±		SPECIFICATION SHEET			
		ONE PLACE DECIMAL ±		GRATE PERF 316L SS 2.75 X 12.00			
		TWO PLACE DECIMAL ±		SIZE		DWG. NO.	
		THREE PLACE DECIMAL ±		B		TDS-PERF-0312-L	
		PART NO.		REV			
		TDS-PERF-0312-S		A			
		MATERIAL		SCALE: 1:8		WEIGHT:	
		FINISH		SHEET 1		OF 1	
		na					
NEXT ASSY		USED ON					
APPLICATION		DO NOT SCALE DRAWING					



4

3

2

1

B

B

A

A