

4

3

2

1

SPECIFICATIONS:

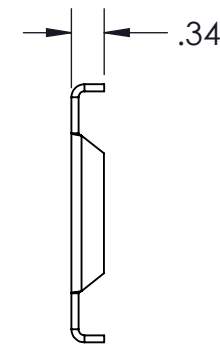
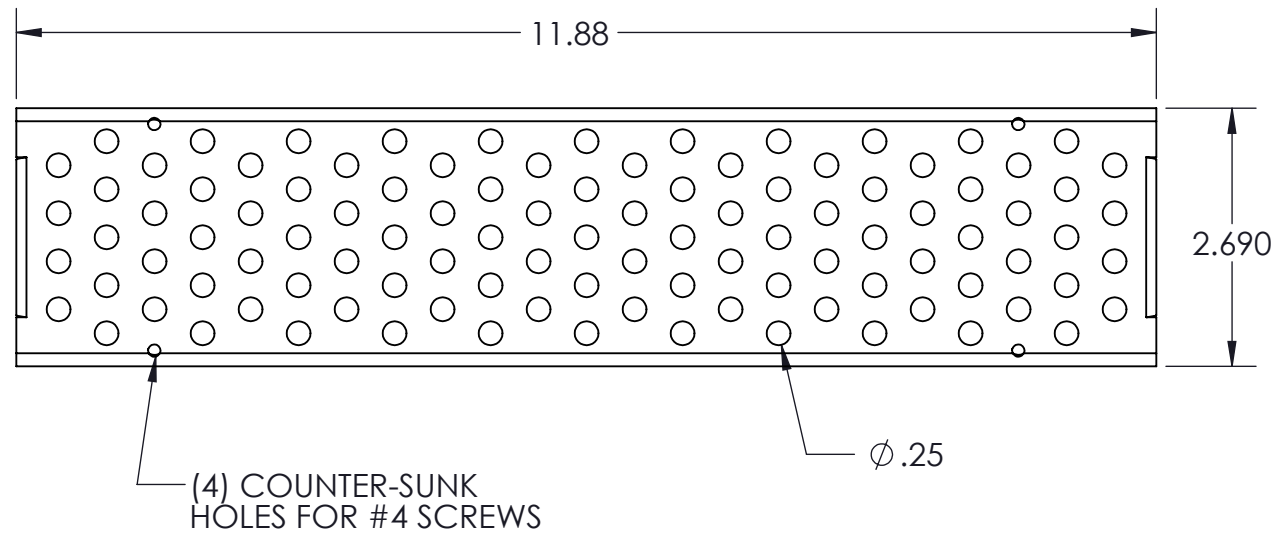
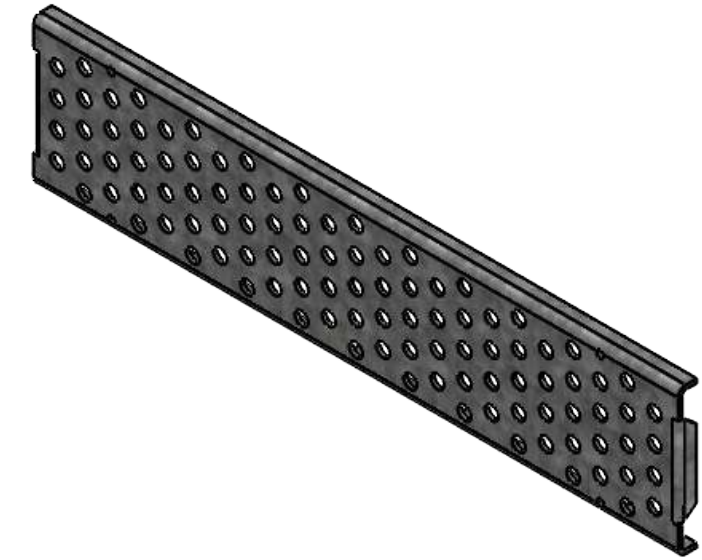
MATERIAL: 304 STAINLESS STEEL

LOAD RATING: DIN 19580 / EN 1433, CLASS B; LIGHT PNEUMATIC TIRE TRAFFIC ONLY.
SIDEWALKS AND RESIDENTIAL PARKING

DESIGN LOAD OF AT LEAST 28100 LBF [125kN]

DISCLAIMER - The customer and the customer's architects, engineers, consultants, and other professionals are completely responsible for the selection installation and maintenance of any product purchased from Trench Drain Systems and/or its manufacturers. TRENCH DRAIN SYSTEMS MAKES NO WARRANTY, EXPRESS OR IMPLIED, AS TO THE SUITABILITY, DESIGN, MERCHANTABILITY, OR FITNESS OF THE PRODUCT FOR CUSTOMERS APPLICATION. The drawing and information provided remain the property and copyright of the manufacturer listed. The manufacturer reserves the right to modify specification without notice.

REVISIONS			
REV.	DESCRIPTION	DATE	APPROVED
A	ECN 19-005	11/8/2019	CJP



PROPRIETARY AND CONFIDENTIAL
THE INFORMATION CONTAINED IN THIS DRAWING IS THE SOLE PROPERTY OF TRENCH DRAIN SYSTEMS. ANY REPRODUCTION IN PART OR AS A WHOLE WITHOUT THE WRITTEN PERMISSION OF TRENCH DRAIN SYSTEMS IS PROHIBITED.

UNLESS OTHERWISE SPECIFIED:	
DIMENSIONS ARE IN INCHES	
TOLERANCES:	
ANGULAR: MACH ± BEND ±	
ONE PLACE DECIMAL ±	
TWO PLACE DECIMAL ±	
THREE PLACE DECIMAL ±	
PART NO.	TDS-PERF-0312
MATERIAL	
FINISH	na
NEXT ASSY	USED ON
APPLICATION	
DO NOT SCALE DRAWING	



TRENCH DRAIN SYSTEMS
PO BOX 377
FREMONT, OH 43420
610-638-1221

DRAWN: CJP		DATE: 11.8.19
CHECKED: -		
DESCRIPTION:		
SPECIFICATION SHEET		
GRATE PERF 304SS 2.75 X 12.00		
SIZE	DWG. NO.	REV
B	TDS-PERF-0312	A
SCALE: 1:8	WEIGHT:	SHEET 1 OF 1

4

3

2

1

B

B

A

A