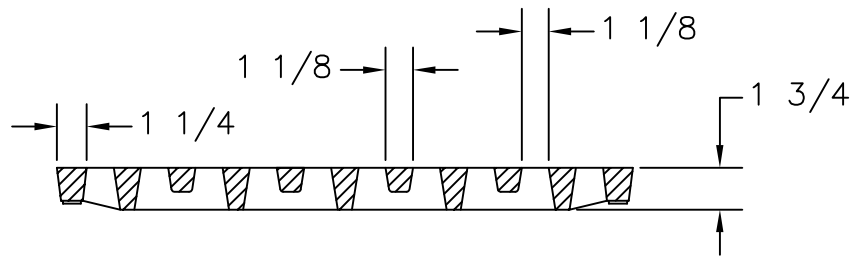
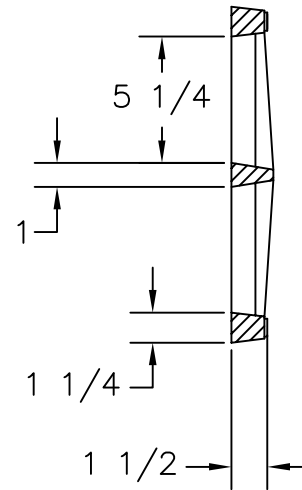


(6) 3/4" x 3/4" x 1/8" PADS




**US FOUNDRY & MFG. CORP.**  
 8351 NW 93rd Street, Medley, FL 33166-2025  
 ph: 1-800-432-9709; fax: 305-887-9429  
 www.usfoundry.com  
 © 2010 US Foundry & Mfg. Corp. All Rights Reserved

### USF 6454 GRATE

LOAD CLASSIFICATION: Heavy Duty		FLOW AREA=116in <sup>2</sup>	
MATERIAL: ASTM-A48 GRAY IRON CLASS35B			
Grate No: 8070374		WGHT: 66	SCALE: 1/8"=1"
			DATE: 03-01-03
			DWN. BY: ULS
UNLESS OTHERWISE NOTED WEIGHT IS IN POUNDS AND APPROXIMATED			
REV:	DATE:	REV BY:	QUOTE#