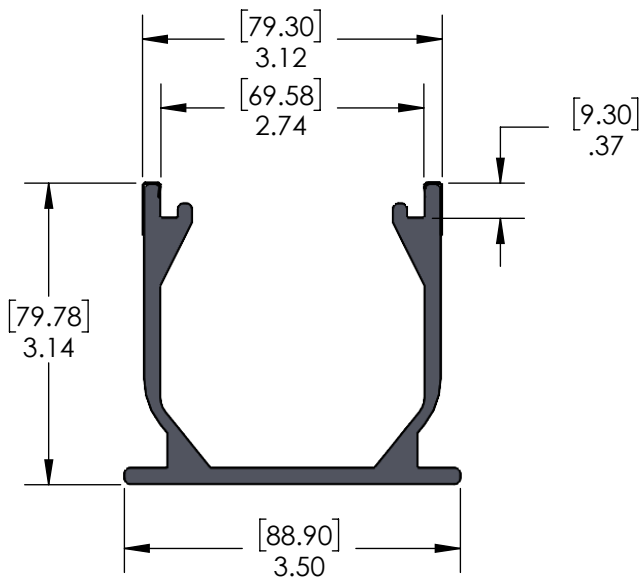


RELEASED 4.5.20

MAX Mini - PREASSEMBLED DRAIN SYSTEM

	GRATE PATTERN	FINISH		DIN LOAD CLASS	CHANNEL COLOR	EDGING
		NATURAL	BRUSHED			
BRONZE	BRONZE AGE SLOTTED	BA-SLOT-0312-MM	BA-SLOT-0312-B-MM	A	SAND	SATIN BRONZE
	BRONZE AGE CATHEDRAL	BA-CATH-0312-MM	BA-CATH-0312-B-MM	A	SAND	SATIN BRONZE
	BRONZE AGE RAIN DROP	BA-RAIN-0312-MM	BA-RAIN-0312-B-MM	A	SAND	SATIN BRONZE
	BRONZE AGE TARDIS	BA-TAR-0312	BA-TAR-0312-B	A	SAND	SATIN BRONZE
	BRONZE AGE PEDREDA	BA-PED-0312	BA-PED-0312-B	A	SAND	SATIN BRONZE
	GRATE PATTERN	MATERIAL		DIN LOAD CLASS	CHANNEL COLOR	EDGING
		304 STAINLESS	316L STAINLESS			
	TDS PERFORATED	TDS-PERF-0336	TDS-PERF-0336L	A	GRAY	316L STAINLESS STEEL
	GRATE PATTERN	FINISH		DIN LOAD CLASS	CHANNEL COLOR	EDGING
		RAW	BAKED ON OIL			
CAST IRON	IRONAGE ACANTHUS	IA-ACA-0312-MM	IA-ACA-0312-BF-MM	A	SAND	OIL RUBBED BRONZE
	IRONAGE CARBOCHON	IA-CARB-0312-MM	IA-CARB-0312-BF-MM	A	SAND	OIL RUBBED BRONZE
	IRONAGE INTERLAKEN	IA-INTER-0311-MM	IA-INTER-0311-BF-MM	A	SAND	OIL RUBBED BRONZE
	IRONAGE LOCUST	IA-LOC-0312-MM	IA-LOC-0312-BF-MM	A	SAND	OIL RUBBED BRONZE
	IRONAGE MINIONE	IA-MIN-0312-MM	IA-MIN-0312-BF-MM	A	SAND	OIL RUBBED BRONZE
	IRONAGE QUE	IA-QUE-0312-MM	IA-QUE-0312-BF-MM	A	SAND	OIL RUBBED BRONZE
	IRONAGE WAVE	NDS-555CI	NDS-555CI-BF	A	SAND	OIL RUBBED BRONZE
	IRONAGE BOTANICAL	NDS-554-CI	NDS-554-CI-BF	A	SAND	OIL RUBBED BRONZE

CHANNEL:



SPECIFICATION:

TDS MAX-MINI SERIES ARE PRE-ASSEMBLED KITS 3.00" WIDE AND TYPICAL SECTION LENGTH IS APPROX. 72.00". SECTION LENGTHS ARE BASED ON LENGTH AND OPTIONS SELECTED. THE CHANNEL IS A UV PROTECTED PVC WITH METAL EDGING AFFIXED USING A SPECIFICALLY DESIGN 3M ADHESIVE. GRATES ARE SECURE IN CHANNEL WITH #4 SCREWS. ALL SYSTEMS INCLUDE AN OUTLET, COUPLER(S) AND END CAP.

SYSTEM OPTIONS:

- BOTTOM OUTLET
- END OUTLET
- CORNERS: 45° AND 90°
- TEE'S

ACCESSORIES:

- NDS 230 INSTALLATION STAKE
- NDS 529 SCREW FH #4 X 5/8 SS
- NDS 532 ADAPTOR SPIGOT 2" SCH 40 TO 3" S&D
- NDS 533 ADAPTOR SPIGOT 2" SCH 40 TO 4" S&D

DISCLAIMER - The customer and the customer's architects, engineers, consultants, and other professionals are completely responsible for the selection installation and maintenance of any product purchased from Trench Drain Systems and/or its manufacturers. TRENCH DRAIN SYSTEMS MAKES NO WARRANTY, EXPRESS OR IMPLIED, AS TO THE SUITABILITY, DESIGN, MERCHANTABILITY, OR FITNESS OF THE PRODUCT FOR CUSTOMERS APPLICATION. The drawing and information provided remain the property and copyright of the manufacturer listed. The manufacturer reserves the right to modify specification without notice.