



FP 1200™

FAST DRAINAGE • QUICK SOLUTIONS

HIGH VOLUME TRENCH DRAIN SYSTEM



The FP1200 Series™ trench drain system is the ideal solution for high volume flow situations such as airports, roadways and seaports. Designed with the installer in mind, this revolutionary design incorporates full 360° interlocks and prefabricated turns and tees to minimize installation time.

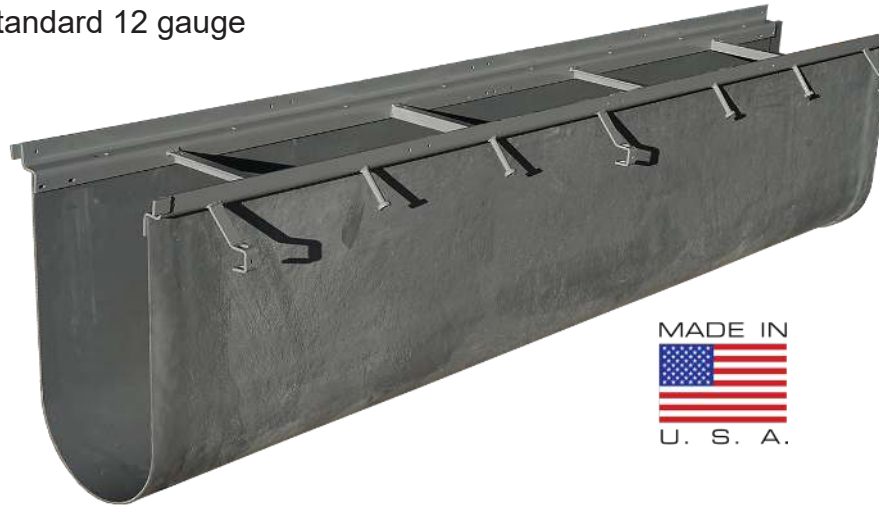


TDS

TRENCH DRAIN SYSTEMS

HIGH VOLUME DRAINAGE SYSTEM

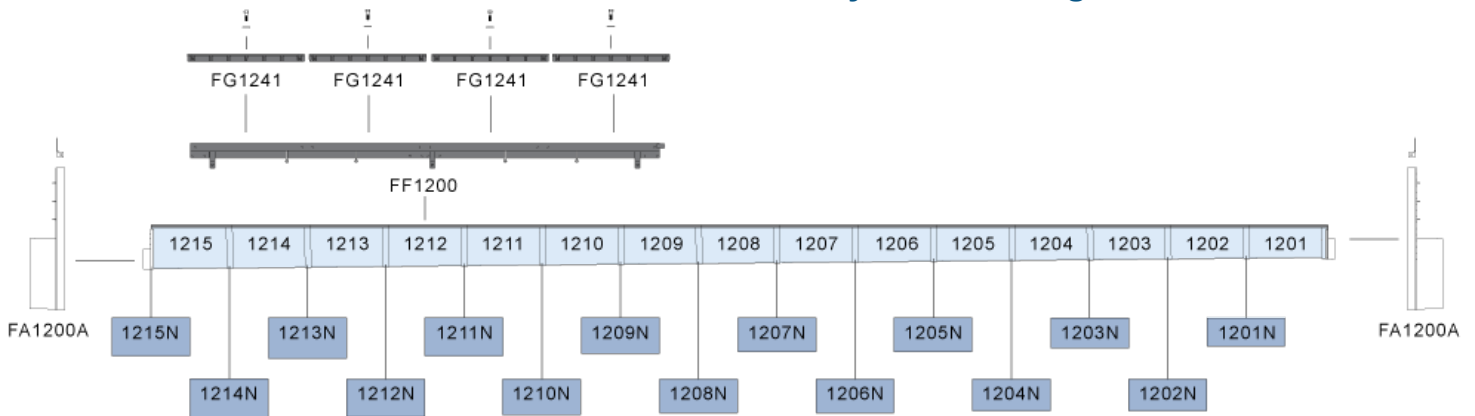
The FP1200 Series™ channels are 96" long, 12.19" wide with a 11.9" throat. Channel bodies are made of fiberglass with a smooth round bottom profile. Frames are made from your choice of standard 12 gauge galvanized steel, optional stainless steel or painted sloped to a standard 1.0%. Channels interconnect with a flanged bell connection. End & bottom outlets can be sized at 6", 8" or 10". Catch basins and debris strainers are available.



Typical Applications

- Highways
- Ports & Shipyards
- Fire Stations
- Rail Terminals
- Airports
- Refineries
- Military Bases

System Configuration Chart



CHANNEL DETAILS

- Up to 6700 GPM flow rate
- Up to 120' of continuous slope at 1%
- 8-foot channel sections
- Tee sections and 90° elbows
- Neutral and half channels
- Eight grating options
- Lightweight for rapid installation
- Galvanized or stainless steel frames
- Two catch basin size choices

FP1200 SERIES™ Depth Chart

Channel #	Inlet Depth	Outlet Depth
1201	9.70	10.66
1202	10.66	11.62
1203	11.62	12.58
1204	12.58	13.54
1205	13.54	14.50
1206	14.50	15.46
1207	15.46	16.42
1208	16.42	17.38
1209	17.38	18.34
1210	18.34	19.30
1211	19.30	20.26
1212	20.26	21.22
1213	21.22	22.18
1214	22.18	23.14
1215	23.14	24.10

GRATE OPTIONS

Grates are available to meet DIN load classes C through F. Made in the USA

FG1241



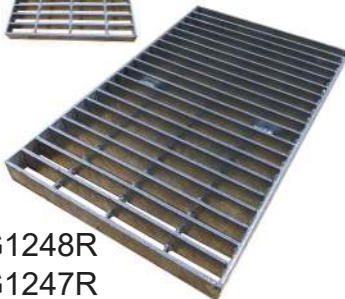
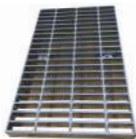
FG1242



FG1246



Reversible



FG1248R
FG1247R

FG1275



Fiberglass
Options

ACCESSORIES

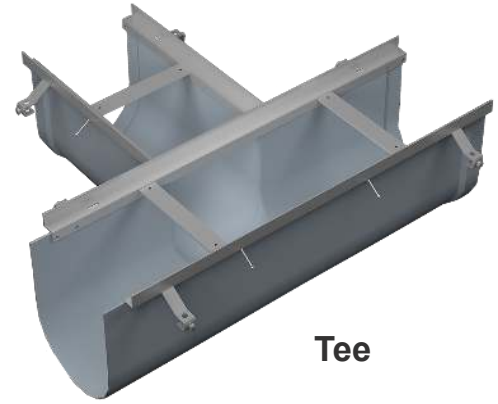
90° Elbow



End Frame Plate

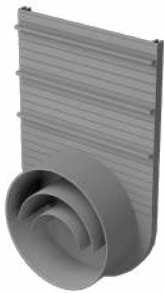


Bottom Outlet



Tee

Splice Adapter



End Cap / End Outlet

CATCH BASINS



PO Box 377
Fremont, Ohio 43420 USA
Phone 610-638-1221
sales@trenchdrain.com
TrenchDrain.com

