

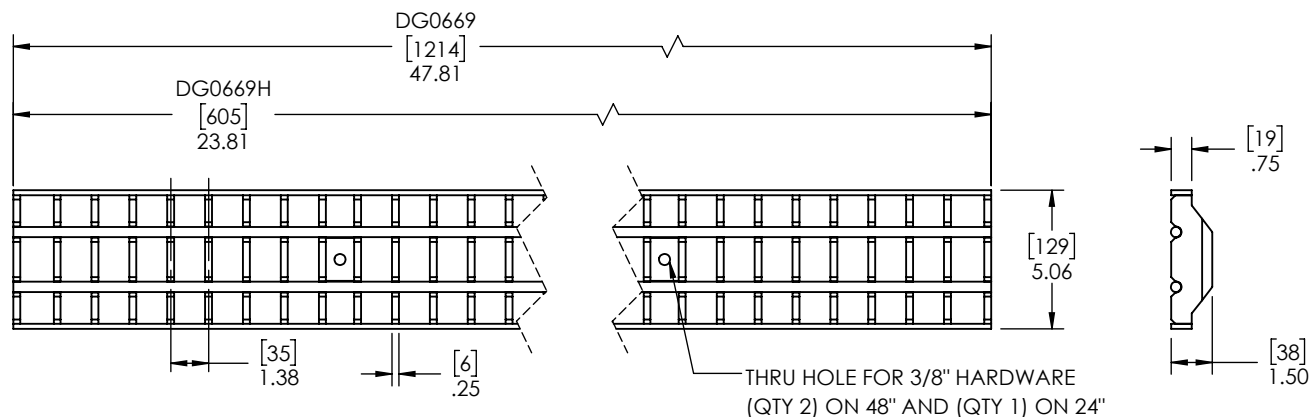
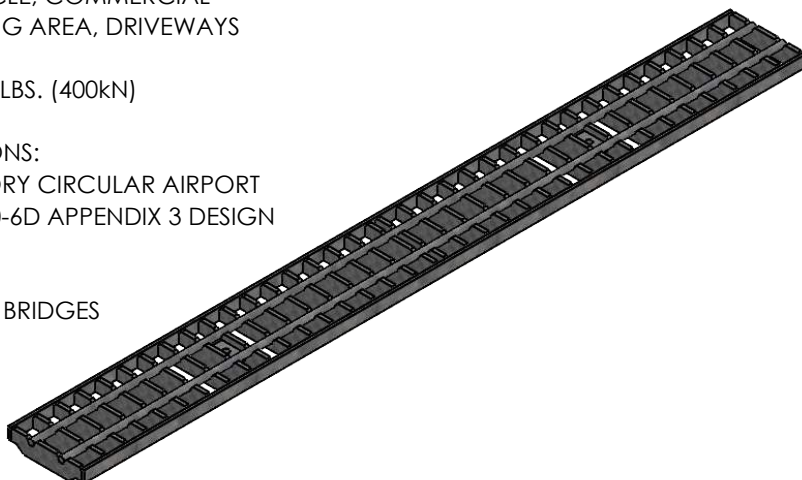
DG0669

POLYCAST 600 SERIES STAINLESS STEEL BAR GRATE

**DIN APPLICATION LOAD CLASS D:** HIGHWAY VEHICLE, COMMERCIAL AIRCRAFT AND LOW TO MODERATE SPEEDS (PARKING AREA, DRIVEWAYS AND WAREHOUSES).  
 DESIGNED FOR A DISTRIBUTED PRESSURE OF 89,9820 LBS. (400kN)

MEETS THE FOLLOWING STANDARDS & SPECIFICATIONS:

- FEDERAL AVIATION ADMINISTRATION (FAA) ADVISORY CIRCULAR AIRPORT PAVEMENT DESIGN AND EVALUATION (AC 150/5320-6D APPENDIX 3 DESIGN OF STRUCTURES FOR HEAVY AIRCRAFT)
- AASHTO HIGHWAY DRAINAGE GUIDELINES
- AASHTO STANDARD SPECIFICATION FOR HIGHWAY BRIDGES



SYSTEM MFG	SYSTEM	LOCKING DEVICE	LOAD CLASS
HUBBELL	POLYCAST 500 W/DG0700AA FRAME	DA0542BHS	F
	POLYCAST 500 W/DG0700PE FRAME	DA0542BHS	E
	POLYCAST 600	DA0642BS	D
	POLYCAST 700 W/DG0700AA FRAME	DA0642BHS	F
	POLYCAST 700 W/DG0700PE FRAME	DA0642BHS	E

**MANUFACTURER**



DISCLAIMER - The customer and the customer's architects, engineers, consultants, and other professionals are completely responsible for the selection installation and maintenance of any product purchased from Trench Drain Systems and/or its manufacturers. TRENCH DRAIN SYSTEMS MAKES NO WARRANTY, EXPRESS OR IMPLIED, AS TO THE SUITABILITY, DESIGN, MERCHANTABILITY, OR FITNESS OF THE PRODUCT FOR CUSTOMERS APPLICATION. The drawing and information provided remain the property and copyright of the manufacturer listed. The manufacturer reserves the right to modify specification without notice.

**ENGINEERING SPECIFICATION**

POLYCAST DG0669 STAINLESS BAR GRATE IS DESIGNED WHERE SANITARY CONDITIONS ARE ESSENTIAL. LOCKING DEVICES SHOULD BE USED TO MEET LOAD CLASS RATING. THE GRATE HAS 42% (41.62IN<sup>2</sup>) OF OPEN AREA. THE GRATE IS MADE OF 0.25" THICK 304 STAINLESS STEEL. THE GRATE MEETS LOAD CLASS D WITHOUT A FRAME AND LOAD CLASS E AND/OR F WITH FRAME.