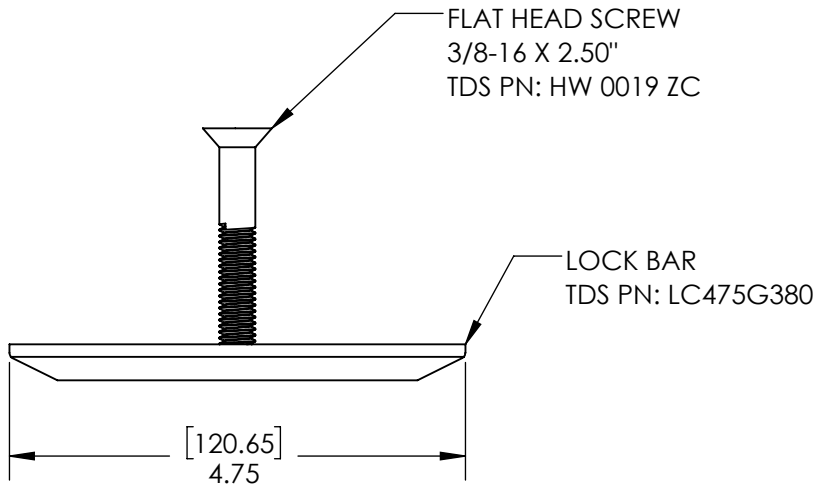
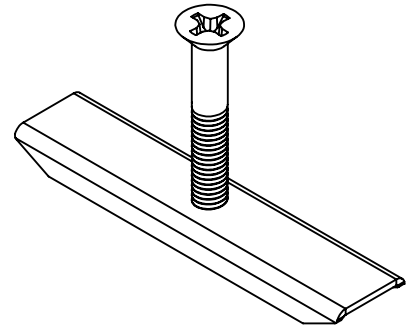


RELEASED DATE 5.8.20

DA0642	LOCKING DEVICE FOR POLYCAST 400 & 600 SERIES w/ GALVANIZED GRATE
--------	--

GRATE TYPE	PART NO.		DIN LOAD CLASS
	24.00"	48.00"	
GALVANIZED STEEL SLOTTED	DG0640H	DG0640	B
GALVANIZED STEEL SLOTTED - REINFORCED	DG0640RH	DG0640R	C
GALVANIZED STEEL PERFORATED	DG0646H	DG0646	A
GALVANIZED STEEL PERFORATED - REINFORCED	DG0646RH	DG0646R	C
GALVANIZED STEEL COVER	DG0645H	DG0645	A
GALVANIZED STEEL SLOTTED - POLYCAST 400 SERIES	DG0441	DG0442	B



**MANUFACTURER**



**SPECIFICATION**

POLYCAST DA0642 SERIES LOCKING DEVICES ARE TO BE USED WITH ALL GRATING SYSTEMS WHERE WHEEL TRAFFIC OCCURS. THIS IS NECESSARY TO PROVIDE SYSTEM INTEGRITY. USED ON POLYCAST 400 AND 600 SERIES SYSTEM WITH GALVANIZED GRATE.

DISCLAIMER - The customer and the customer's architects, engineers, consultants, and other professionals are completely responsible for the selection installation and maintenance of any product purchased from Trench Drain Systems and/or its manufacturers. TRENCH DRAIN SYSTEMS MAKES NO WARRANTY, EXPRESS OR IMPLIED, AS TO THE SUITABILITY, DESIGN, MERCHANTABILITY, OR FITNESS OF THE PRODUCT FOR CUSTOMERS APPLICATION. The drawing and information provided remain the property and copyright of the manufacturer listed. The manufacturer reserves the right to modify specification without notice.