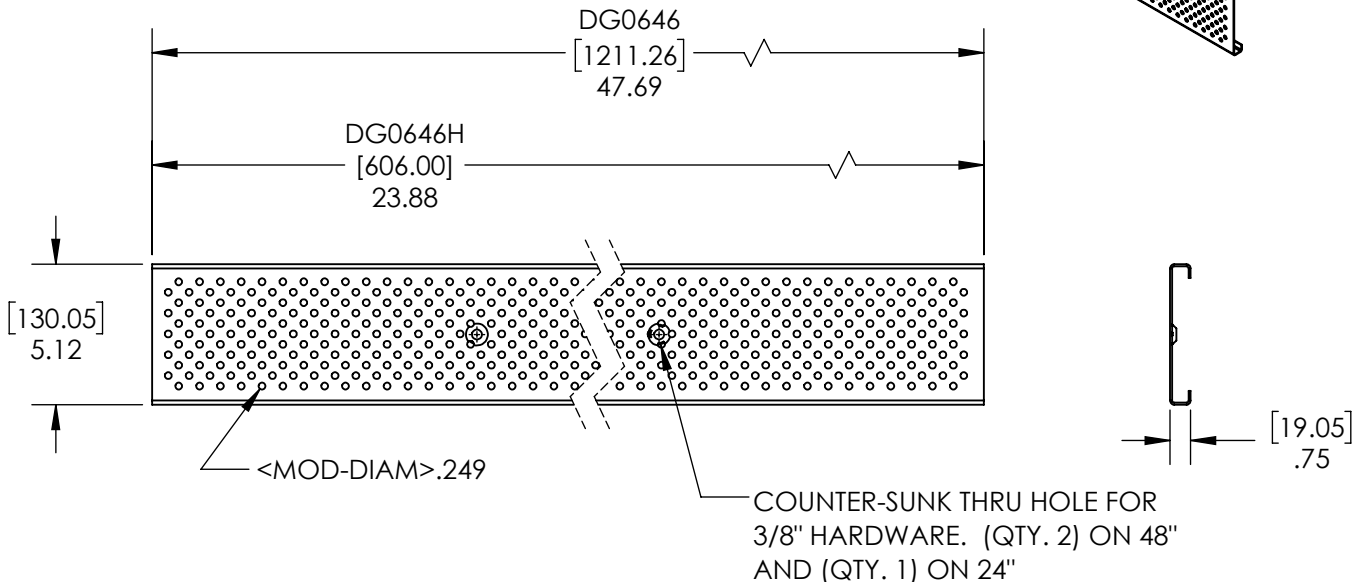
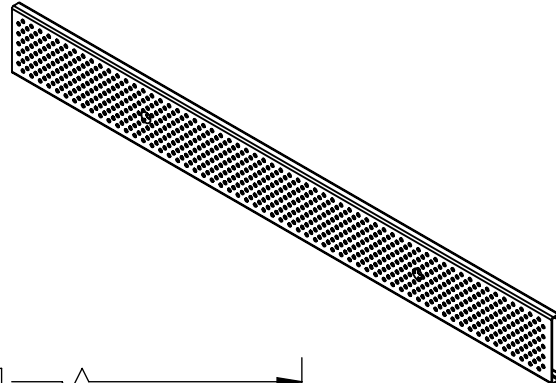


RELEASED 5.13.20

DG0646	POLYCAST 600 SERIES GALVANIZED STEEL PERFORATED GRATE
--------	---

**APPLICATION LOAD CLASS A:** PEDESTRAIN, BICYCLES AND GOLF CARTS. DESIGNED FOR A DISTRIBUTED PRESSURE OF 2psi (300psf). ADA COMPLIANT FOR ACCESSIBLE ROUTES. MEETS ASTM C-857



**MANUFACTURER**



**SPECIFICATION**

POLYCAST DG0646 GALVANIZED PERFORATED GRATE IS DESIGNED FOR USE IN PEDESTRIAN AREAS TO MINIMIZE HEEL HAZARD AND PRE-VENT ENTRANCE OF LARGE OBJECTS. LOCKING DEVICE PART NO DA0642 SHOULD BE USED. THE GRATE HAS 17% (34IN<sup>2</sup>) OF OPEN AREA. THE GRATE IS MADE OF HOT DIPPED GALVANIZED 14 GAUGE ASTM A36 STEEL AND WEIGHTS APPROXIMATELY 8LBS. MEETS LOAD CLASS A.

DISCLAIMER - The customer and the customer's architects, engineers, consultants, and other professionals are completely responsible for the selection installation and maintenance of any product purchased from Trench Drain Systems and/or its manufacturers. TRENCH DRAIN SYSTEMS MAKES NO WARRANTY, EXPRESS OR IMPLIED, AS TO THE SUITABILITY, DESIGN, MERCHANTABILITY, OR FITNESS OF THE PRODUCT FOR CUSTOMERS APPLICATION. The drawing and information provided remain the property and copyright of the manufacturer listed. The manufacturer reserves the right to modify specification without notice.